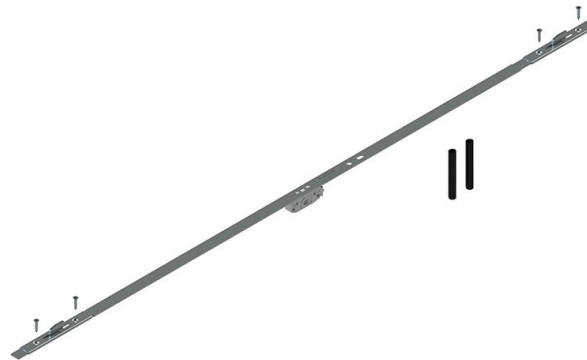


CHAMPION PLUS 90 MINIMAL CLOSING RODS - FIXED NIBS



Functions

Complete multi-point locking system (2 to 3 points) for aluminium sliding windows or balcony doors with an extremely narrow gap between the sashes and frames (≥ 3.5 mm).

Technical Features

The Champion Plus 90 Minimal rods with fixed nibs are available with a 16 mm backset and in three different lengths: 600 mm (2-point), 1000 mm (2-point) and 1600 mm (3-point).

All the rods are operated by traditional window handles or recess handles equipped with a 7 mm square pin.

These multi-locks have 2 operating positions:

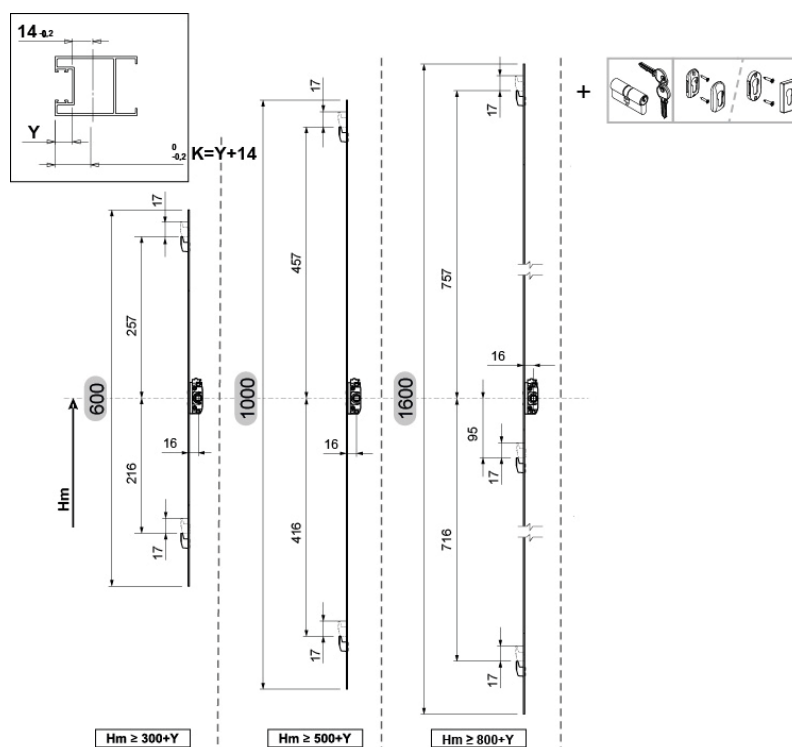
- 1) 0° CLOSED SASH
- 2) 90° OPEN SASH

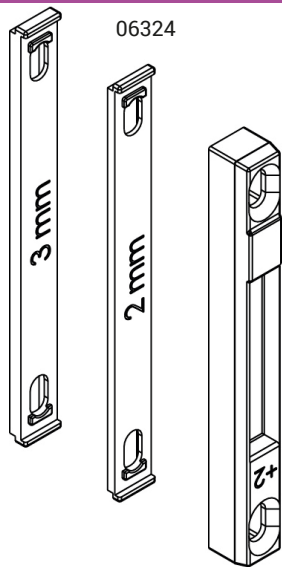
All rods can be fitted with a lock using the optional accessory (item no. 06490).

Made from stainless steel and zamak, these multi-point locks meet corrosion class 5 standards.

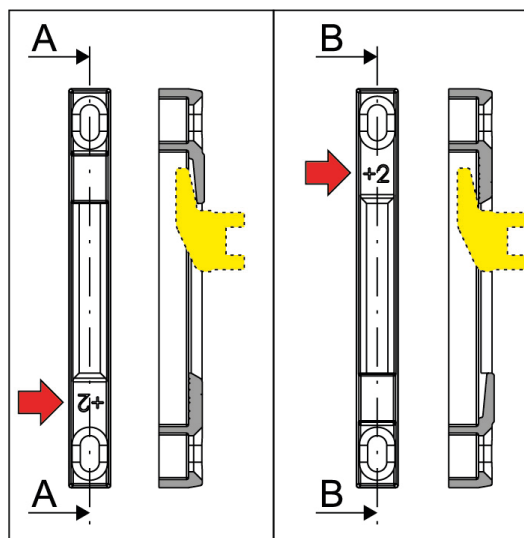
Materials

- Stainless steel rods
- Box for rotor in zamak
- Stainless steel nibs

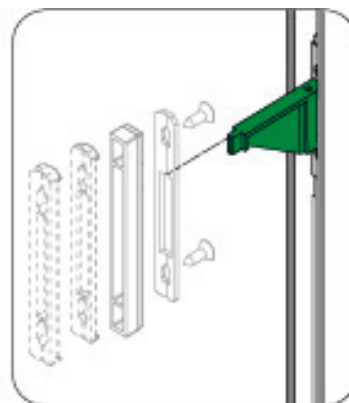
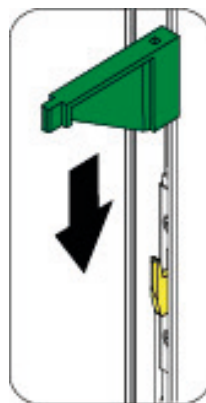
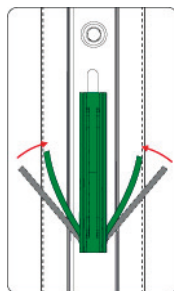
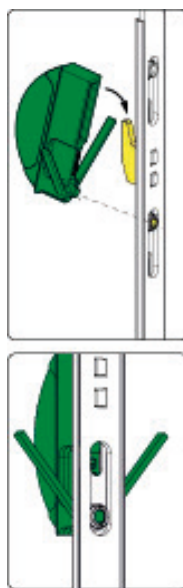
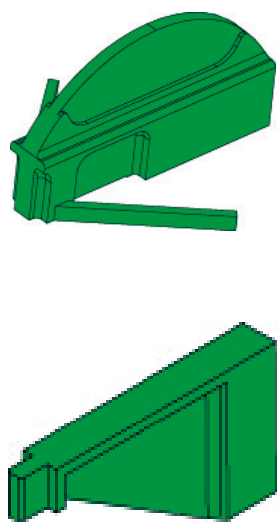




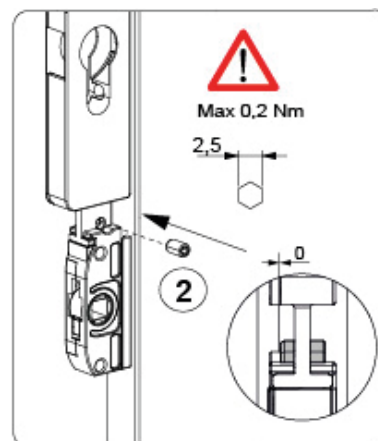
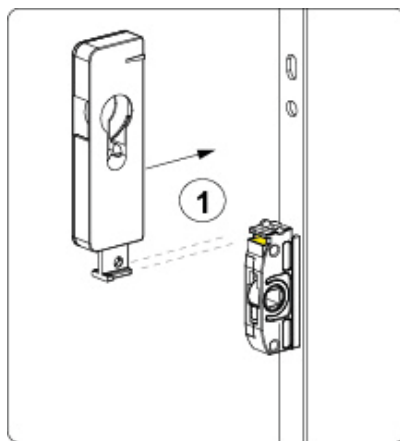
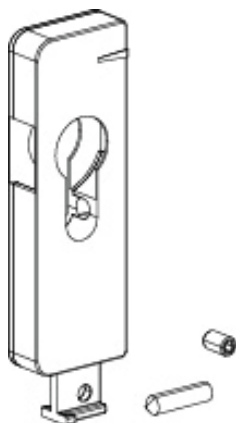
06324



06494

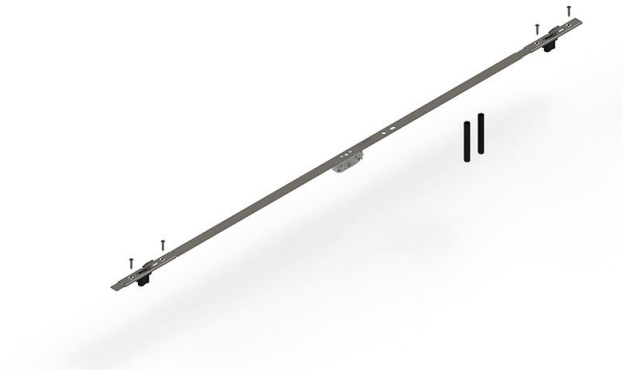


06490



Item code	Description	Backset	Lock	Incorrect Movement Safety Device Compatibility	Length	Window handle height	Locking points	Base Raw	Anodised Elox	Painted	Trend/Gold Brass	Pieces per pack
06484	CHAMPION PLUS 90 MINIMAL ROD - FIXED NIBS	16	YES	NO	600	$\geq 300 + Y$	2	X				4
06485	CHAMPION PLUS 90 MINIMAL ROD - FIXED NIBS	16	YES	NO	1000	$\geq 500 + Y$	2	X				4
06486	CHAMPION PLUS 90 MINIMAL ROD - FIXED NIBS	16	YES	NO	1600	$\geq 800 + Y$	3	X				4
06490	CHAMPION PLUS 90 MINIMAL LOCK	-	-	-	-	-	-	X				4
06324	CHAMPION PLUS 90 COUNTERPLATE KIT	-	-	-	-	-	-	X				20
06494	CHAMPION PLUS 90 MINIMAL TEMPLATE KIT	-	-	-	-	-	-	X				4

CHAMPION PLUS 90 MINIMAL CLOSING RODS - ADJUSTABLE NIBS



Functions

Complete multi-point locking system (2 to 3 points) for aluminium sliding windows or balcony doors with an extremely narrow gap between the sashes and frames (≥ 3.5 mm).

Technical Features

The Champion Plus 90 Minimal rods with adjustable nibs are available with a 16 mm backset and in three different lengths: 600 mm (2-point), 1000 mm (2-point), and 1600 mm (3-point).

All the rods are operated by traditional window handles or recess handles equipped with a 7 mm square pin.

These multi-locks have 2 operating positions:

- 1) 0° CLOSED SASH
- 2) 90° OPEN SASH

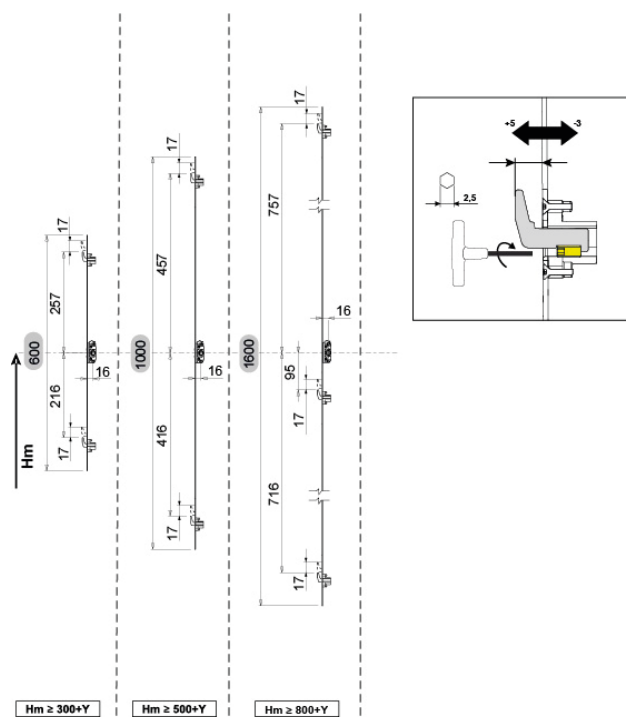
All rods can be fitted with a lock using the optional accessory (item no. 06490).

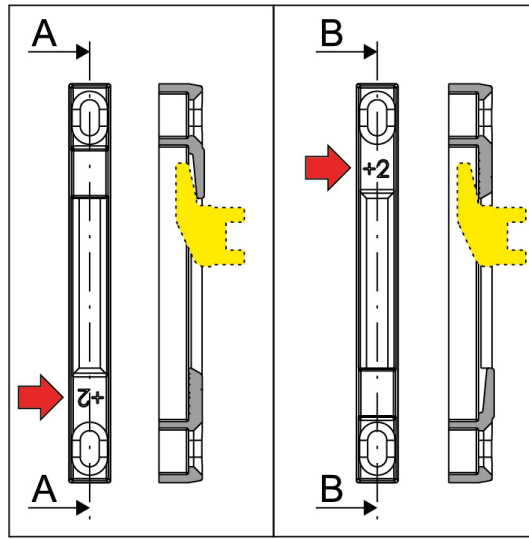
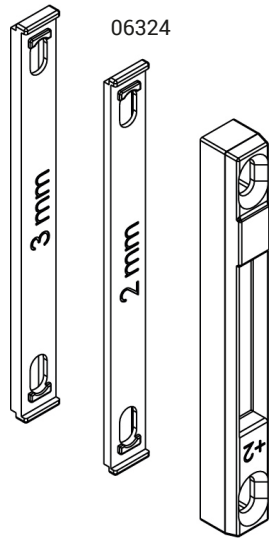
Made from stainless steel and zamak, these multi-point locks meet corrosion class 5 standards.

The rods are equipped with adjustable locking points with an adjustment range of 8 mm.

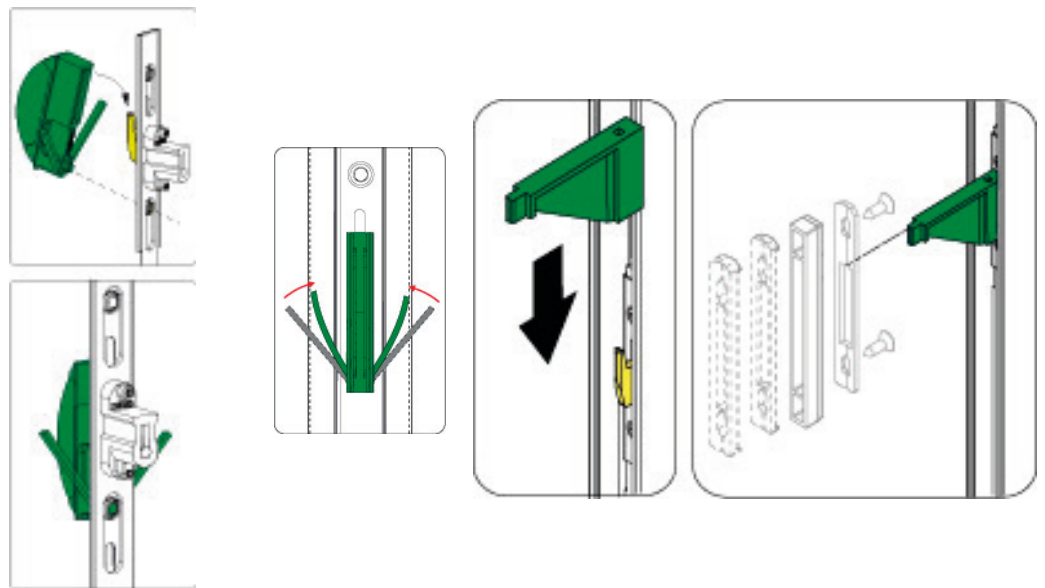
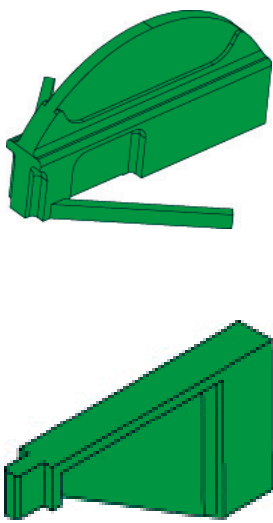
Materials

- Stainless steel rods
- Box for rotor in zamak
- Stainless steel nibs

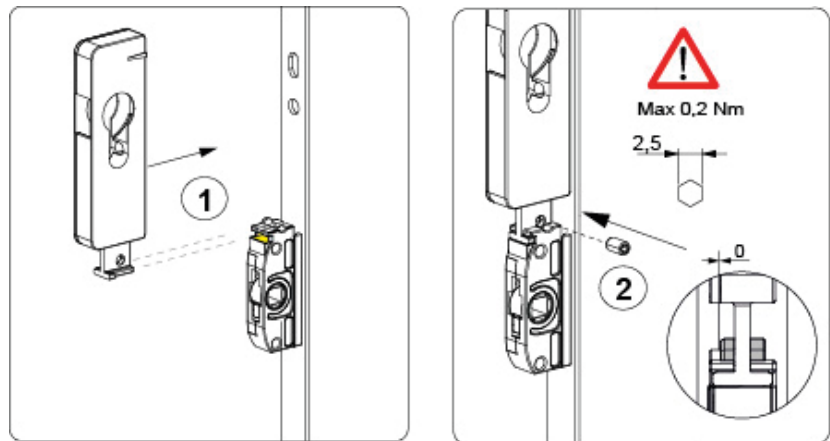
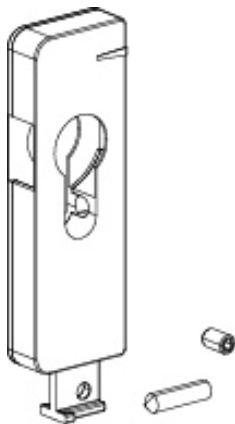




06494



06490



Item code	Description	Backset	Lock	Incorrect Movement Safety Device Compatibility	Length	Window handle height	Locking points	Base Raw	Anodised Elox	Painted	Trend/Gold Brass	Pieces per pack
06487	CHAMPION PLUS 90 MINIMAL ROD - FIXED NIBS	16	YES	NO	600	≥ 300 + Y	2	X				4
06488	CHAMPION PLUS 90 MINIMAL ROD - FIXED NIBS	16	YES	NO	1000	≥ 500 + Y	2	X				4
06489	CHAMPION PLUS 90 MINIMAL ROD - FIXED NIBS	16	YES	NO	1600	≥ 800 + Y	3	X				4
06490	CHAMPION PLUS 90 MINIMAL LOCK	-	-	-	-	-	-	X				4
06324	CHAMPION PLUS 90 COUNTERPLATE KIT	-	-	-	-	-	-	X				20
06494	CHAMPION PLUS 90 MINIMAL TEMPLATE KIT	-	-	-	-	-	-	X				4