

Outward opening for aluminium windows

Index

Side-hung	3
Arms	5
Limitation arms	8
One-way mechanism	9
Two-way mechanism	11
Top-hung	13
Arms	15
Limitation arms	18
Two-way mechanism	21
One-way mechanism	21
Mechanism single locking point	22
Parallel opening	23
Arms	25
Mechanism	26
UlK kit	27
OS Operator 2.0	29
Accessories	33
Standard locking points	33
HP locking points	35
Other articles	37
Automations	38



Side-hung

Top-hung

Parallel opening

Uik Group

Os Operator 2.0

Accessories

Side-hung

Side-hung

Top-hung

Parallel opening

ULK Group

0s Operator 2.0

Accessories



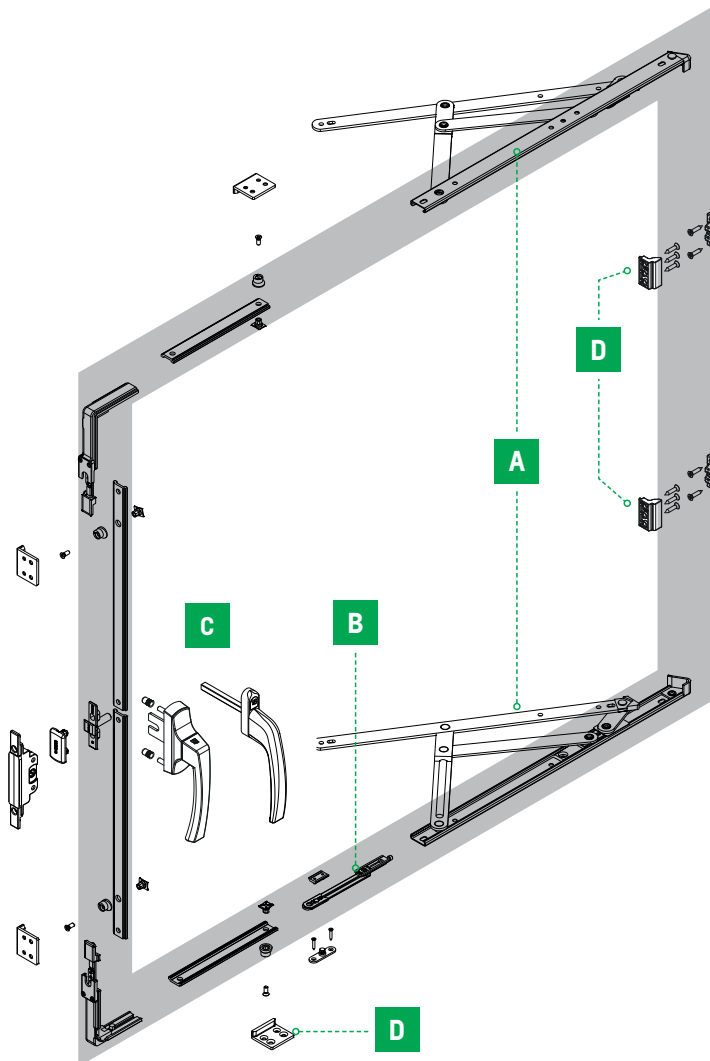


The window

SIDE-HUNG

Below is a representative diagram of a Side Hung window (external casement) with the main applicable Giesse products. Giesse accessories allow you to create

medium weight windows with locking points on all 4 sides to maximize air/water/wind tightness.



A Side-Hung arms

Page 5

B Limitation arms

Page 8

C Mechanism

Page 9

D Locking points

Page 33

GS-HD Side-hung arms

Arms tested up to 30.000 cycles. Sold in pairs.

GS HD TYPE A

They are particularly suitable for small windows or skylights.



Code	Description	Bag width (mm)	Sash-frame distance (mm)	Arm length (mm)	Maximum sash opening angle	Max. height (mm)	Max. width (mm)	Max. weight (Kg)
08127N	GS HD – 10" type A	18	15,5 +0,5	261	84°	1200	550	14
08128N	GS HD – 12" type A	18	15,5 +0,5	305	85°	1200	600	16
08130N	GS HD – 16" type A	18	15,5 +0,5	407	87°	1200	600	20

GS HD TYPE M

For windows of small-medium size for medium/low loads.



Code	Description	Bag width (mm)	Sash-frame distance (mm)	Arm length (mm)	Maximum sash opening angle	Max. height (mm)	Max. width (mm)	Max. weight (Kg)
08201	GS HD – 8" type M	18	13,5 +0,5	214	70°	-	-	-
08202	GS HD – 10" type M	18	13,5 +0,5	270	87°	1200	550	15
08195	GS HD – 12" type M	18	13,5 +0,5	310	87°	1200	600	16
08196	GS HD – 14" type M	18	13,5 +0,5	358	87°	1200	600	17
08197	GS HD – 16" type M	18	13,5 +0,5	412	87°	1200	650	20
08198	GS HD – 18" type M	18	13,5 +0,5	459	87°	1200	650	21

LOTUS SELF-BALANCED UNIT

The LOTUS units are composed of a pair of steel hinges and a pair of aluminium arms.



Code	Description	Note
01801	Lotus self-balanced unit	L = 300 mm

GS HD TYPE C

For windows with medium and high load capacities.
They are particularly suitable for medium-sized windows.



Code	Description	Bag width (mm)	Sash-frame distance (mm)	Arm length (mm)	Maximum sash opening angle	Max. height (mm)	Max. width (mm)	Max. weight (Kg)
0814701	GS HD – 10" type C	23	15,5+0,5	263	82°	1200	550	36
0814901	GS HD – 14" type C	23	16,5+0,5	365	87°	1200	650	40
0815101	GS HD – 16" type C	23	16,5+0,5	414	87°	1200	700	42
0815201	GS HD – 18" type C	23	16,5+0,5	463	87°	1200	750	45

GS HD TYPE C PLUS

GS HD type C arms are suitable for medium-sized windows and medium load capacities.



Code	Description	Bag width (mm)	Sash-frame distance (mm)	Arm length (mm)	Maximum sash opening angle	Max. height (mm)	Max. width (mm)	Max. weight (Kg)
08222	GS HD - 10" type C Plus	~23	16,5+0,5	267	80°	1600	500	32
08223	GS HD - 12" type C Plus	~23	16,5+0,5	313	84°	1600	600	38
08224	GS HD - 14" type C Plus	~23	16,5+0,5	365	87°	1600	650	40
08225	GS HD - 16" type C Plus	~23	16,5+0,5	414	87°	1800	750	42
08226	GS HD - 18" type C Plus	~23	16,5+0,5	463	87°	1800	800	45

GS HD TYPE C PLUS SUPER

The GS HD type C Plus Super are self-balancing arms (one right and one left) are suitable for medium size/weight outward opening (side hung) casement windows.



Code	Description	Bag width (mm)	Sash-frame distance (mm)	Arm length (mm)	Maximum sash opening angle	Max. height (mm)	Max. width (mm)	Max. weight (Kg)
08232	Super GS HD - 10" type C Plus	~23	16,5+0,5	327,5	82°	1600	500	32
08233	Super GS HD - 12" type C Plus	~23	16,5+0,5	373,5	85°	1600	500	38
08234	Super GS HD - 14" type C Plus	~23	16,5+0,5	425,5	87°	1600	650	40
08235	Super GS HD - 16" type C Plus	~23	16,5+0,5	474,5	87°	1600	750	42
08236	Super GS HD - 18" type C Plus	~23	16,5+0,5	523,5	87°	1600	800	45

GS HD EURO GROOVE

The GS HD Euro Groove arms are self-positioning in the 15-20 channel of the sash, guaranteeing fast and precise positioning. They are compatible with the Friz limitation arms for Euro Groove art. 02030K



Code	Description	L. arm (mm)	Sash frame distance D (mm)	Loose rivet	Maximum sash opening angle	Max. height (mm)	Max width (mm)	Max. weight (Kg)
08349	GS HD – 10" Euro Groove	259	GACS	No	50° 84° (*)	650	1500	50
08350	GS HD – 16" Euro Groove	412	GACS	No	30° 50°/90° (*)	800	1500	100/55

(*) for window cleaning only.

for US market the codes of the Euro Groove arms in the table must be replaced by codes 08359/08360/08361/08362

GS HD TYPE TS

GS HD TS type arms are extremely versatile items, suitable for windows with medium load capacity.

Code	Description	L. arm (mm)	Sash frame distance D (mm)	Loose rivet	Maximum sash opening angle	Max. height (mm)	Max width (mm)	Max. weight (Kg)
08341	GS HD – 10" type TS L/R	259	16,5	Yes	50°/84°	650	1500	50
08342	GS HD – 16" type TS	259	16,5	No	50°/90° 30°	800	1500	100/55
08343	GS HD – 16" type TS L/R	259	16,5	Yes	30°/50°/ 90°/30°	800	1500	100/55

Shims for arms

Hardware that allows quick installation and adjustment of the range of top-hung arms.



Code	Description	Applicable on
01971	Polyamide filling shim	14/18 or 13.5/16.8 channel (frame) - H 5
01974	Polyamide filling shim	15/20 channel (sash) 14/18 channel (frame) - H 4,5

GS-HD

Limitation arms side-hung

For safety reasons, The limitation function of the sash plays a fundamental role in avoiding objects or people accidentally falling, or the sash being closed by a gust of wind.

Detachable limitation arms Friz

The FRIZ limitation arm is detachable to enable the sash to be positioned at maximum opening. The arm can also be frictioned to adjust the force required to open the sash.



Code	Description	Rod length (mm)
02036	Arm Friz	300
02037	Arm Friz	140
02030K	Arm Friz	300

Limitation arm with lock

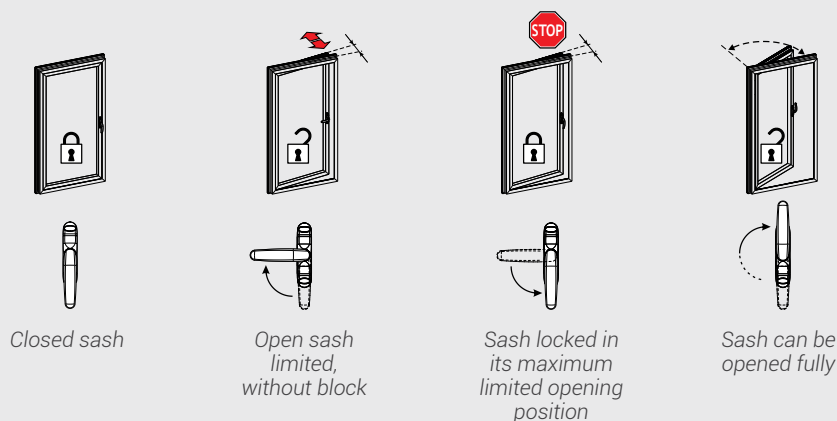
A new concept of "security" sashes for outward opening in which the maximum limited opening position of the sash can be locked by turning the handle to 0°. At the same time, the sash can be fully opened by rotating the handle 180°.



Code	Description	Sash frame distance (mm)	Rod length (mm) (*)	Type of one-way stroke
01700	Limitation arm with lock	17	300	18 + 18 mm

*versions shorter than the standard length can be made on request.

Limitation arm with lock operation



MECHANISM One-way fasteners side-hung

Side-hung

Top-hung

Parallel opening

ULK Group

0s Operator 2.0

Accessories



Unica
Cremone



Asia 0-180
Cremone



Asia Plus 0-90
Cremone

Code	Description	Drive rod length (mm)	C/c distance (mm)	Compatibility
01150...001	Unica Cremone	-	104	To be combined with outward opening kit
01151...001	Unica Cremone with key	-	104	To be combined with outward opening kit
01063	Asia Plus Cremone 0-180	-	104	To be combined with outward opening kit
02407	Outward opening kit 0-180	20	-	01150/01151/01063
02403	Outward opening kit 0-180	28	-	01150/01151/01063
02408	Outward opening kit 0-180	35	-	01150/01151/01063
01165N	Unica Cremone + Outward opening kit	20	104	
01164N	Unica Cremone + Outward opening kit	28	104	
01401	Asia Plus Cremone 0-90	-	70	To be combined with outward opening kit
02025	Asia Plus 0-90 Outward opening kit	20	-	01401
02026	Asia Plus 0-90 Outward opening kit	28	-	01401
02027	Asia Plus 0-90 Outward opening kit	35	-	01401
02028	Asia Plus 0-90 Outward opening kit	45	-	01401
02029	Asia Plus 0-90 Outward opening kit	55	-	01401
02050	Asia Plus 0-90 Outward opening kit	65	-	01401



Code	Description	Drive rod length (mm)	Compatibility
04098001	Zamak rod drive device	9,5	for 15/20 channel
04099001	Zamak rod drive device	18,5	for 15/20 channel
04097001	Zamak rod drive device	26	for channel R40
04104	Zamak rod drive device	19	for 15/20 channel
04105	Zamak rod drive device	28	for 15/20 channel
04091	Steel rod drive device	40	for 15/20 channel

MECHANISM

One-way fasteners side-hung



Bas window handle



Supra7 Apex

Code	Description	Pin length (mm)	C/c distance (mm)	Compatibility
02491	Bas window handle	70	43	Mechanisms with 7 mm spindle housing

Code	Description	Square spindle length (mm)	Type of square pin (mm)	Compatibility
04164	Supra 7 window handle Apex	75	7x7	04082/04083/04084

Can also be used with two-way mechanism.



Ghibo Out mechanism



Ghibo Out key Lock



Cylinder cover plate IN



M180 mechanism

Code	Description	Type of stroke	C/c distance (mm)	Compatibility
04082	Ghibo Out mechanism Back Set 22	one-way mechanism 18 mm	43	window handles with 7 mm square pin and locks
04083	Ghibo Out mechanism Back Set 27	-	43	window handles with 7 mm square pin and locks
04084	Ghibo Out mechanism Back Set 32	-	43	window handles with 7 mm square pin and locks
04086	Serratura Ghibo Out Key Back Set 22	-	63	art.04082 compatible with European cylinders
04096	Bocchetta copri cilindro IN	-	-	
04089	M180 mechanism with incorrect movement safety device - backset 30 mm	one-way mechanism 36 mm	43	window handles with 7 mm square pin

MECHANISM

Side-hung two-way fasteners

Side-hung

Top-hung

Parallel opening

ULK Group

0s Operator 2.0

Accessories



Unica Apex
Cremone

Code	Description	Type of stroke	C/c distance (mm)	Compatibility
01154...001	Unica Apex Cremone	two-way 18 mm	104	Requires the use of 2 pins (see Connection pin)

Code	Description	Pin length (mm)	Chiave di registro
02251K	Connection pin	10	Hex wrench 3 mm
02252K	Connection pin	13	Hex wrench 3 mm
02253K	Connection pin	16	Hex wrench 3 mm
02254K	Connection pin	24	Hex wrench 3 mm
02255K	Connection pin	20	Hex wrench 3 mm

MECHANISM

Side-hung two-way fasteners



Bas window handle



Ghibo Out Mechanism

Code	Description	Square spindle length (mm)	C/c distance (mm)	Compatibility
02491	Bas window handle	70	43	Mechanisms with 7 mm spindle housing 7 mm

Code	Description	Type of stroke	C/c distance (mm)	Compatibility
04094	Ghibo Out Mechanism Backset 23	two-way 17 mm	43	Window handle with square pin 7 mm
04093	Ghibo Out Mechanism Backset 29	two-way 18 mm	43	Window handle with square pin 7 mm

Top-hung

Side-hung

Top-hung

Parallel opening

ULK Group

Os Operator 2.0

Accessories



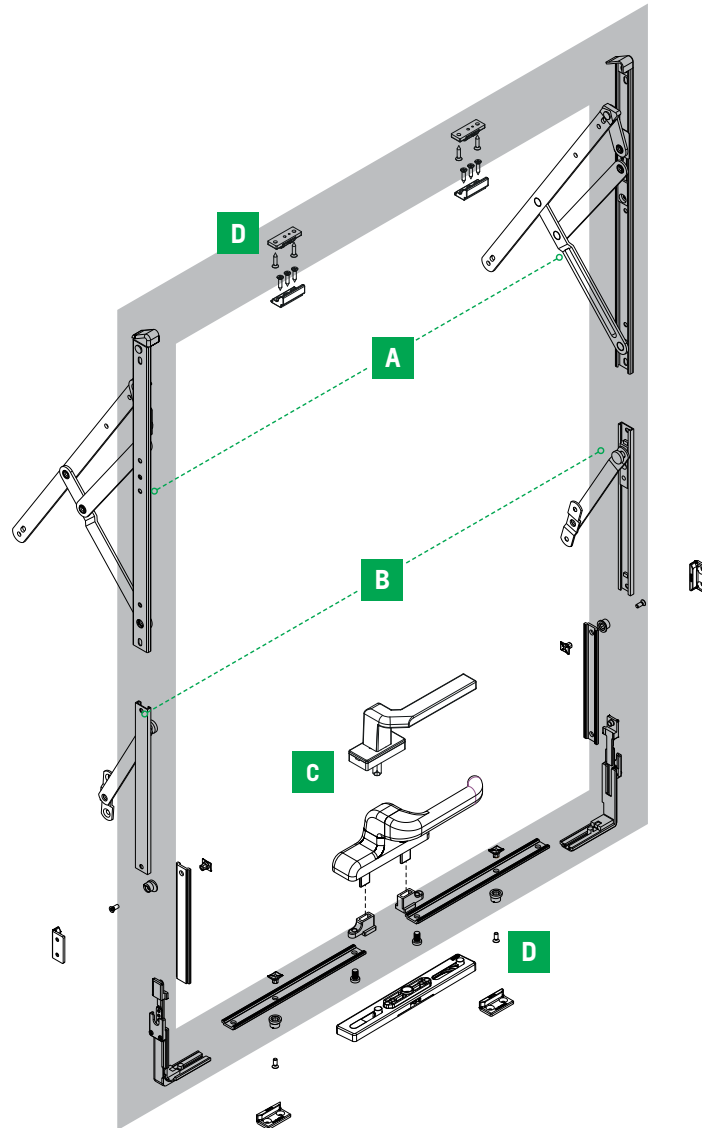


The window

TOP-HUNG

Below is a representative diagram of a top-hung window, which shows the main Giesse products available for this type of sash.

The Giesse hardware allows you to create extremely heavy openings with locking points on all four sides to maximise air/water/wind tightness.



A Top-hung arms

Page 15

B Limitation arms

Page 18

C Mechanism

Page 21

D Locking points

Page 33

GS-HD Top-hung arms

Arms tested up to 30.000 cycles. Sold in pairs.

GS HD TYPE A

They are particularly suitable for small windows or skylights.



Code	Description	Bag width (mm)	Sash-frame distance D (mm)	Arm length (mm)	Maximum sash opening angle	Max. height (mm)	Max. width (mm)	Max. weight (Kg)
08127N	GS HD – 10" type A	18	15,5 +0,5	261	84°	400	1200	16
08128N	GS HD – 12" type A	18	15,5 +0,5	305	85°	550	1200	18
08130N	GS HD – 16" type A	18	15,5 +0,5	407	87°	750	1200	21

GS HD TYPE M

For small-medium window and medium/low loads.



Code	Description	Bag width (mm)	Sash-frame distance D (mm)	Arm length (mm)	Maximum sash opening angle	Max. height (mm)	Max. width (mm)	Max. weight (Kg)
08201	GS HD – 8" type M	18	13,5 +0,5	214	70°	350	1200	12
08202	GS HD – 10" type M	18	13,5 +0,5	270	87°	400	1200	16
08195	GS HD – 12" type M	18	13,5 +0,5	310	87°	550	1200	20
08196	GS HD – 14" type M	18	13,5 +0,5	358	87°	650	1200	22
08197	GS HD – 16" type M	18	13,5 +0,5	412	87°	750	1200	24
08198	GS HD – 18" type M	18	13,5 +0,5	459	87°	850	1200	26

GS HD TYPE P

Type-P GS HD arms may be frictioned by way of the grub screw on the slider and, depending on the model, you can also choose the maximum sash opening angle. Can be combined with height adjustment device art. 02006K.



Code	Description	Bag width (mm)	Sash-frame distance D (mm)	Arm length (mm)	Maximum sash opening angle	Max. height (mm)	Max. width (mm)	Max. weight (Kg)
08534N	GS HD – 10" type P	23	15,5 +0,5	261	35°	700	1200	50
08535N	GS HD – 12" type P	23	16,5 +0,5	317	30°/35°	800	1200	60
08536N	GS HD – 14" type P	23	16,5 +0,5	353	30°/35°	1000	1300	69
08537N	GS HD – 16" type P	23	16,5 +0,5	414	30°/35°	1200	1400	88
08538N	GS HD – 18" type P	23	16,5 +0,5	458	25°/30°	1400	1500	102
08539N	GS HD – 20" type P	23	16,5 +0,5	511	25°/30°	1600	1500	135
08540N	GS HD – 22" type P	23	16,5 +0,5	556	20°/25°	1700	1500	137
08541N	GS HD – 24" type P	23	16,5 +0,5	602	20°/25°	1800	1500	139
08542N	GS HD – 28" type P	23	16,5 +0,5	707	10°/15°/20°	2000	1500	155
08348	GS HD – 26" 180 type P	23	16,5 +0,5	690	20° 7°	2000 2500	1500 1700	155 180
08309	GS HD – 10" type P	-	GACS	259	50°	600	1500	25
08351	GS HD – 22" type P	-	GACS	567	20°/45°	1500	1700	80 100
08351	GS HD – 28" type P	-	GACS	711	15°	2000	1700	100

GS HD TYPE P SUPER

Type-P GS HD arms are suitable for medium to large size/weight top-hung windows.



Code	Description	Bag width (mm)	Sash-frame distance D (mm)	Arm length (mm)	Maximum sash opening angle	Max. height (mm)	Max. width (mm)	Max. weight (Kg)
08886	GS HD – 10" type P	23	16,5 +0,5	322	35°	700	1200	50
08887	GS HD – 12" type P	23	16,5 +0,5	378	30°/35°	800	1200	60
08888	GS HD – 14" type P	23	16,5 +0,5	414	30°/35°	1000	1300	69,5
08889	GS HD – 16" type P	23	16,5 +0,5	475	30°/35°	1200	1400	88,5
08890	GS HD – 18" type P	23	16,5 +0,5	519	25°/30°	1400	1400	102
08891	GS HD – 20" type P	23	16,5 +0,5	572	25°/30°	1600	1500	135
08892	GS HD – 22" type P	23	16,5 +0,5	617	20°/25°	1700	1500	137
08893	GS HD – 24" type P	23	16,5 +0,5	663	20°/25°	1800	1500	139
08894	GS HD – 28" type P	23	16,5 +0,5	768	10°/15°/20°	2000	1500	155

GS HD EURO GROOVE

The GS HD Euro Groove arms are self-positioning in the 15-20 channel of the sash, guaranteeing fast and precise positioning. They are compatible with the Friz limitation arms for Euro Groove art. 02030K



Code	Description	L. arm (mm)	Sash frame distance D (mm)	Loose rivet	Maximum sash opening angle	Max. height (mm)	Max width (mm)	Max. weight (Kg)
08349	GS HD – 10" Euro Groove	259	GACS	No	50° 84° (*)	650	1500	50
08350	GS HD – 16" Euro Groove	412	GACS	No	30° 50°/90° (*)	800	1500	100/55
08309	GS HD – 10" type P	259	GACS	No	50°	600	1500	25
08351	GS HD – 22" type P	567	GACS	No	20°/45°	1500	1700	80/100
08352	GS HD – 28" type P	711	GACS	No	15°	2000	1700	100

(*) for window cleaning only.

for US market the codes of the Euro Groove arms in the table must be replaced by codes 08359/08360/08361/08362

GS HD TYPE TS

GS HD TS type arms are extremely versatile items, suitable for windows with medium load capacity.

Code	Description	L. arm (mm)	Sash frame distance D (mm)	Loose rivet	Maximum sash opening angle	Max. height (mm)	Max width (mm)	Max. weight (Kg)
08341	GS HD – 10" type TS L/R	259	16,5	Yes	50°/84°	650	1500	50
08342	GS HD – 16" type TS	259	16,5	No	50°/90° 30°	800	1500	100/55
08343	GS HD – 16" type TS L/R	259	16,5	Yes	30°/50°/ 90°/30°	800	1500	100/55

Shims for arms

Hardware that allows quick installation and adjustment of the range of top-hung arms.



Code	Description	Applicable on
01971	Polyamide filling shim	14/18 or 13.5/16.8 channel (frame) - H 5
01974	Polyamide filling shim	15/20 channel (sash) 14/18 channel (frame) - H 4,5

TOP-HUNG ARM ADJUSTMENT DEVICES

Fitted on Type-P GS HD arms (suitably prepared), they enable height adjustment of the top-hung sash.



Code	Description	Applicable on
02006K	Height adjustment component for GS HD – CP arms (22/23)	GS HD arms type P

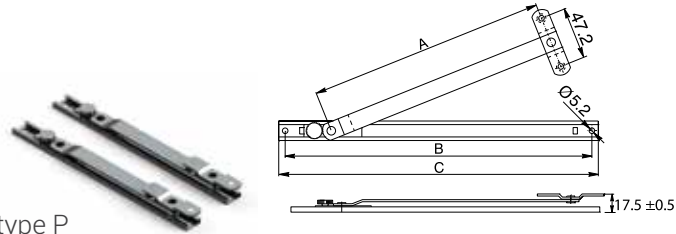
GS-HD

Limitation arms top-hung

For safety reasons, The limitation function of the sash plays a fundamental role in avoiding objects or people accidentally falling, or the sash being closed by a gust of wind.

GS HD TYPE I

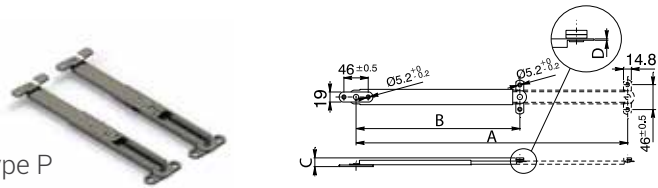
Compatible with arms:
GS HD type A and GS HD type P



Code	Description	A (mm)	B (mm)	C (mm)
08123	Limitation arm – 8,5" type I	140	205	217
08124	Limitation arm – 10,5" type I	191	256	268
08177	Limitation arm – 12" type I	221	286	298
08178	Limitation arm – 14" type I	267	332	244
08179	Limitation arm – 16" type I	318	388	400
08183	Limitation arm – 18" type I	365	435	447

GS HD TYPE L

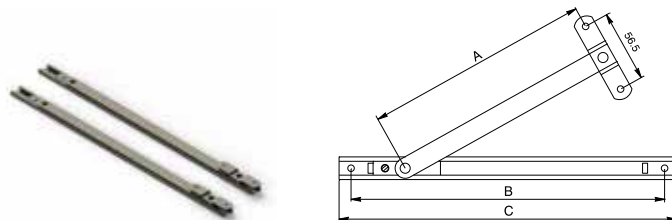
Compatible with arms:
GS HD type A and GS HD type P



Code	Description	A (mm)	B (mm)	C (mm)	D (mm)
08184	Limitation arm – 8" type L	205	155	217	16,5
08185	Limitation arm – 10" type L	255	180	268	16,5
08186	Limitation arm – 12" type L	305	205	298	16,5
08187	Limitation arm – 14" type L	355	230	244	16,5
08188	Limitation arm – 16" type L	406	257	400	16,5
08189	Limitation arm – 20" type L	515	310	447	16,5

GS HD TYPE N

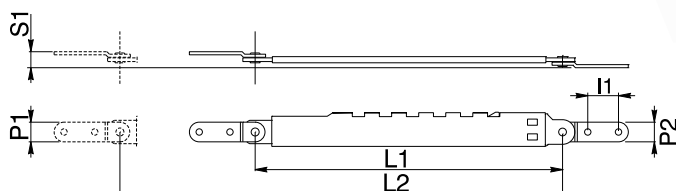
Compatible with arms:
GS HD type M



Code	Description	A (mm)	B (mm)	C (mm)
08199	Limitation arm – 10,5" type N	180	249	268
08200	Limitation arm – 16" type N	314	381	400

Laser type limitation arms

The LASER limitation arm is telescopic and has 5 settings that allow the sash to be opened to different angles. Compatible with arms: Top-hung according to distance S1.



Laser arm stainless steel (austenitic) AISI 304

Code	Description	Compatibility	Positions	Fixing	P1 (mm)	P1 (mm)	L1 (mm)	L2 (mm)	I1 (mm)	S1 (mm)
01950	Laser arm	hinges	5	Self - threading	14,8	11,8	250	360	15	28
01951	Laser arm	universal	1	Self - threading	16	16	155	186	20,5	13,5
01952	Laser arm	hinges	5	Self - threading	15	15	250	360	15	34
01954	Laser arm	hinges, Euro Groove arms	5	Self - threading	13,4	13,4	250	360	15	23
01956	Laser arm	R40 hinges	5	Contrast grubscrews	-	-	250	360	-	24
01959	Laser arm	universal	5	Self - threading	16	16	250	360	23	13
01960	Laser arm	universal	5	Self - threading	16	16	250	360	20	16,5

Laser arms in galvanized steel

Code	Description	Compatibility	Positions	Fixing	P1 (mm)	P1 (mm)	L1 (mm)	L2 (mm)	I1 (mm)	S1 (mm)
01955	Laser arm	hinges, Euro Groove arms	5	Self - threading	13,4	13,4	250	360	15	23
01961	Laser arm	universal	5	Self - threading	16	16	250	360	20	16,5

Detachable limitation arms Friz

The FRIZ limitation arm is detachable to enable the sash to be positioned at maximum opening. The arm can also be frictioned to adjust the force required to open the sash.



Code	Description	Applicable in combination with Top Hung arms	Rod length (mm)
02036	Arm Friz	Type A – Type P – Type C	300
02037	Arm Friz	Type A – Type P – Type C	140
02030K	Arm Friz	Euro Groove Arms	300

Limitation arm with lock

A new concept of "security" in which the maximum limited opening position of the sash can be locked by turning the handle to 0°. At the same time, the sash can be fully opened by rotating the handle 180°.



Code	Description	Sash frame distance (mm)	Rod length (mm) (*)	Type of one-way stroke
01700	Limitation arm with lock	17	300	18 + 18 mm

(*) upon request it is possible to create versions shorter than the standard.

Limitation arm with lock operation



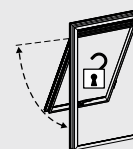
Sash closed



Limited opening, without lock



Sash locked in position of maximum limitation



Sash can be opened fully

MECHANISM One-way fasteners



Euro CW2
Cremone

Code	Description	Stroke (mm)	C/c distance (mm)	Compatibility
05006...1	Euro CW1 Cremone Rh	18	104/98/84	slider directly connected with the rod



Supra7
Asia



Supra7
Kora



Supra7
Prima



Supra7
Aria



Supra7
offset



Kora offset window
handle

Code	Description	Square spindle length (mm)	Square (mm)	Compatibility
052621	Supra 7 offset window handle Rh	45	7x7	GHIBO Plus CW1 02079
052622	Supra 7 offset window handle Lx	45	7x7	GHIBO Plus CW1 02079
04153	Supra 7 Asia window handle	45	7x7	GHIBO Plus CW1 02079
04154	Supra 7 Kora window handle	45	7x7	GHIBO Plus CW1 02079
04155	Supra 7 Prima window handle	45	7x7	GHIBO Plus CW1 02079
04156	Supra 7 Aria window handle	45	7x7	GHIBO Plus CW1 02079

Code	Description	Stroke (mm)	C/c distance (mm)	Compatibility
00996...1	Kora offset window handle Rh	18+18	43	GHIBO Plus CW1 02079
00996...2	Kora offset window handle Lx	18+18	43	GHIBO Plus CW1 02079



Ghibo Plus CW1
mechanism

Code	Description	Stroke (mm)	C/c distance (mm)
02079	Ghibo Plus CW1 mechanism	18+18	43

MECHANISM

Two-way fasteners



Euro CW2
Cremone



Unica CW2
Cremone



Connecting
blocks

Code	Description	Stroke (mm)	C/c distance (mm)	Compatibility
05007...1	Euro CW2 Cremone Rh	18	104/98/84	02236/02262/02194
05007...2	Euro CW2 Cremone Lx	18	104/98/84	02236/02262/02194
05008...	Euro CW2 Key Cremone – reversibile	18	104/98/84	02236/02262/02194
05008...1	Euro CW2 Key Cremone Rh	18	104/98/84	02236/02262/02194
01170...1	Unica CW2 Cremone Rh	18	104	02236/02262/02194
01170...2	Unica CW2 Cremone Lx	18	104	02236/02262/02194

Code	Description	H (mm)	Compatibility
02236	Connecting blocks	18	05007/05008/01170
02262	Connecting blocks	15	05007/05008/01170
02194	Connecting blocks	12	05007/05008/01170

MECHANISM

Top-hung with single locking point



Bravo flat
handle



OMBU arm

Code	Description	Design	Step (mm)
01650N	Bravo flat handle 1	Euro Line	6,5/7/8
01652N	Bravo flat handle 1	Euro Line	0 (internal flush)
01640N	Bravo flat handle 2	Prima Line	6,5/7/8
01642N	Bravo flat handle 2	Prima Line	0 (internal flush)

Code	Description	Arm length (mm)	Maximum opening (mm)
00889N	Short OMBU arm	150	172
00890N	Long OMBU arm	224	300

Parallel opening

Side-hung

Top-hung

Parallel opening

ULK Group

Os Operator 2.0

Accessories



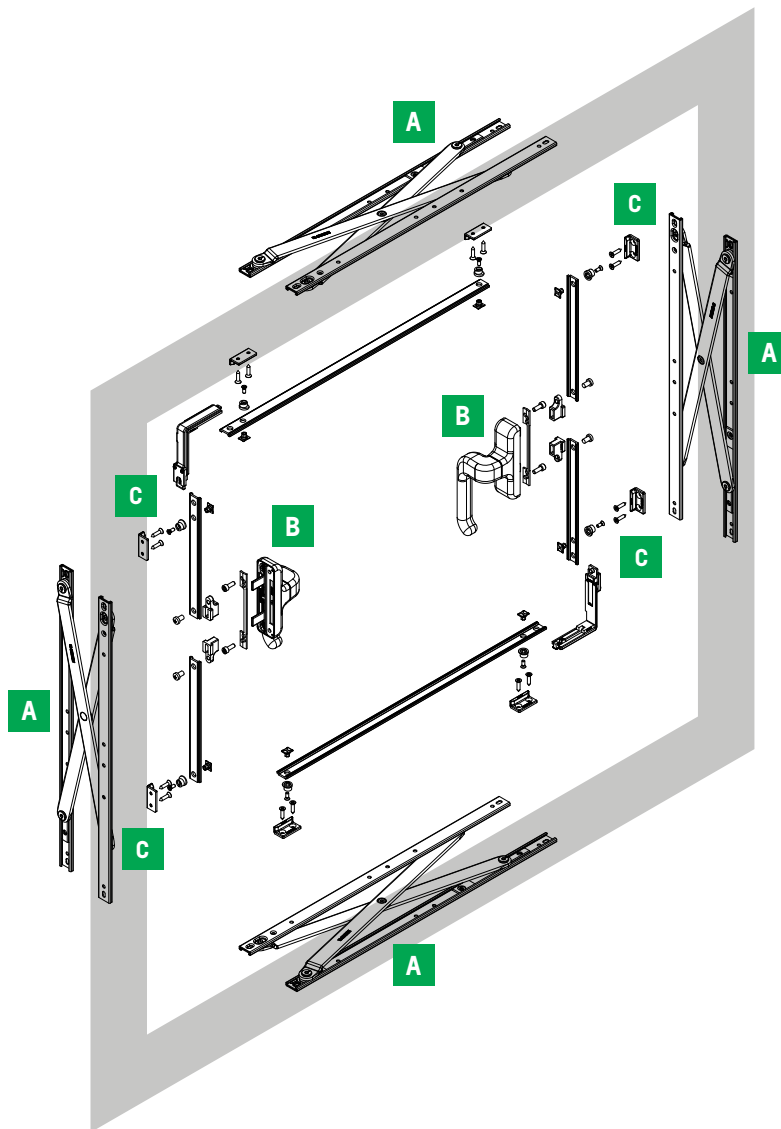


The window

PARALLEL OPENING

Below is a representative diagram of a parallel window, which shows the main products available for this type of sash.

The Giesse hardware allows you to create medium-weight/heavy openings with locking points on all 4 sides to maximise air/water/wind tightness.



A Parallel Arms

Page 25

B Mechanism

Page 26

C Locking points

Page 33

ARMS Parallel opening



Motorised for weights > 60 kg
or dimensions 1250 x 1250 mm.

Code	Description	Sash-frame distance (mm)	Arm length (mm)	Maximum Opening (mm)	Maximum height (mm)	Maximum length (mm)	Maximum weight (kg)
0199002	Single parallel arm - 16,9	17 +1/-0	470	180	1000	1000	100
0199102	Double parallel arm - 16,9		940	180	2000	2000	200

GS HD TYPE G

Single parallel arms. Manual or motorised opening



Code	Description	Sash-frame distance (mm)	Arm length (mm)	Maximum Opening (mm)	Maximum height (mm)	Maximum length (mm)	Maximum weight (kg)
01969001	Single parallel arm 18" - 21	21 +1	450	174-219	1000	1000	55
01977001	Single parallel arm 25" - 21	21 +1	640	172-242	1200	1200	75
01999	Single parallel arm 8" - 21	18,4	200	278			

GS HD TYPE G

Double parallel arms. Motorised opening.



Code	Description	Sash-frame distance (mm)	Arm length (mm)	Maximum Opening (mm)	Maximum height (mm)	Maximum length (mm)	Maximum weight (kg)
01979001	Double parallel arm 50" - 21	21 +1	1250	172-242	1800	1800	200

MECHANISM

One-way fasteners

Code	Description	Square spindle length (mm)	Square (mm)	Compatibility
052621	Supra 7 offset window handle Rh	45	7x7	GHIBO Plus CW1 02079
052622	Supra 7 offset window handle Lx	45	7x7	GHIBO Plus CW1 02079
04153	Supra 7 Asia window handle	45	7x7	GHIBO Plus CW1 02079
04154	Supra 7 Kora window handle	45	7x7	GHIBO Plus CW1 02079
04155	Supra 7 Prima window handle	45	7x7	GHIBO Plus CW1 02079
04156	Supra 7 Aria window handle	45	7x7	GHIBO Plus CW1 02079

Code	Description	Stroke (mm)	C/c distance (mm)	Compatibility
00996...1	Kora offset window handle Rh	18+18	43	GHIBO Plus CW1 02079
00996...2	Kora offset window handle Lx	18+18	43	GHIBO Plus CW1 02079



Ghibo Plus CW1 mechanism

Code	Description	Stroke (mm)	C/c distance (mm)
02079	Ghibo Plus CW1 mechanism	18+18	43

MECHANISM

Two-way fasteners

Code	Description	Stroke (mm)	C/c distance (mm)	Compatibility
05007...1	Euro CW2 Cremone Rh	18	104/98/84	02236/02262/02194
05007...2	Euro CW2 Cremone Lx	18	104/98/84	02236/02262/02194
05008...	Euro CW2 Key Cremone – reversibile	18	104/98/84	02236/02262/02194
01170...1	Unica CW2 Cremone Rh	18	104	02236/02262/02194
01170...2	Unica CW2 Cremone Lx	18	104	02236/02262/02194

Code	Description	H (mm)	Compatibility
02236	Connecting blocks	18	05007/05008/01170
02262	Connecting blocks	15	05007/05008/01170
02194	Connecting blocks	12	05007/05008/01170

Ulk Group

Side-hung

Top-hung

Parallel opening

Ulk Group

0s Operator 2.0

Accessories



ULK KIT Top-hung / Bottom-hung

The Ulk kit has been created to meet the need for top-hung and bottom-hung openings of considerable weight and size.

The Ulk Kit has been specifically designed for 17 mm sash/frame stack systems, which is the sash/frame distance of all the main systems used for curtain walls.



Go to the technical data sheet

Code	Description	Components
08500	Ulk Group	pair of hinges, pair of arms and a pair of adjustment devices for adjusting the sash height (only on top-hung windows)



	TOP-HUNG	BOTTOM-HUNG (smoke vents)
Manual operation	Only for sashes ≤ 100 Kg	NO
Automatic operation	For sashes ≤ 300 Kg	Always
Sash height	from 1500 to 3500 mm	from 1500 to 4500 mm
Sash width	up to 2000 mm	up to 2000 mm
Maximum Opening	300 mm	300 mm

OS Operator 2.0

Side-hung

Top-hung

Parallel opening

ULK Group

OS Operator 2.0

Accessories

OS OPERATOR 2.0 Top-hung / Side-hung

OS Operator 2.0 is the Giesse patented mechanism with multi-locking as standard that can even be applied to small windows. With a simple 180° movement of the cremone you can open

and close the sash, disengaging multiple locking points simultaneously. The opening is limited to the length of the mechanism arm.



Performance

Designed simultaneously with the window profile, for high performance.



Specific cremone

Available with different handle lengths, with key and with removable handle.



Screens

The cremone on the frame, it enables the fitting of internal screens.



Certification

OS Operator has successfully passed 15,000 cycles according to AAMA test specifications.



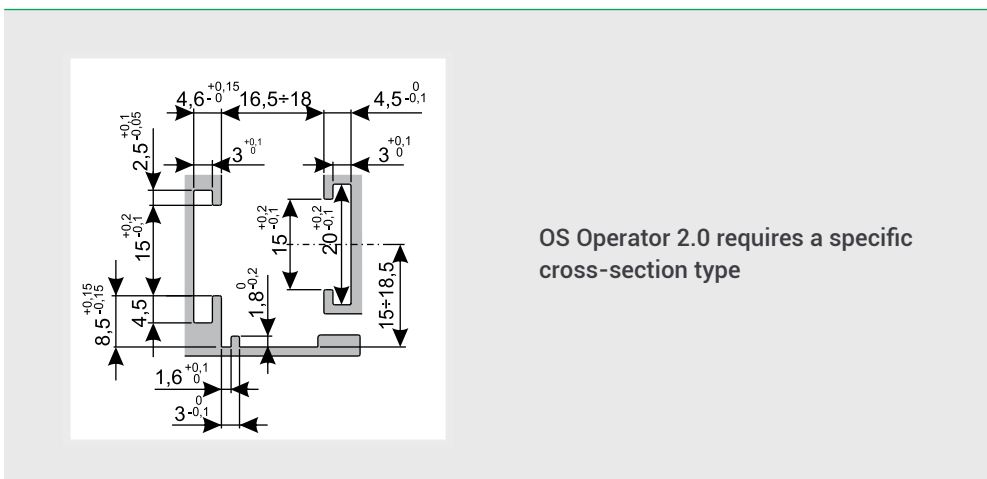
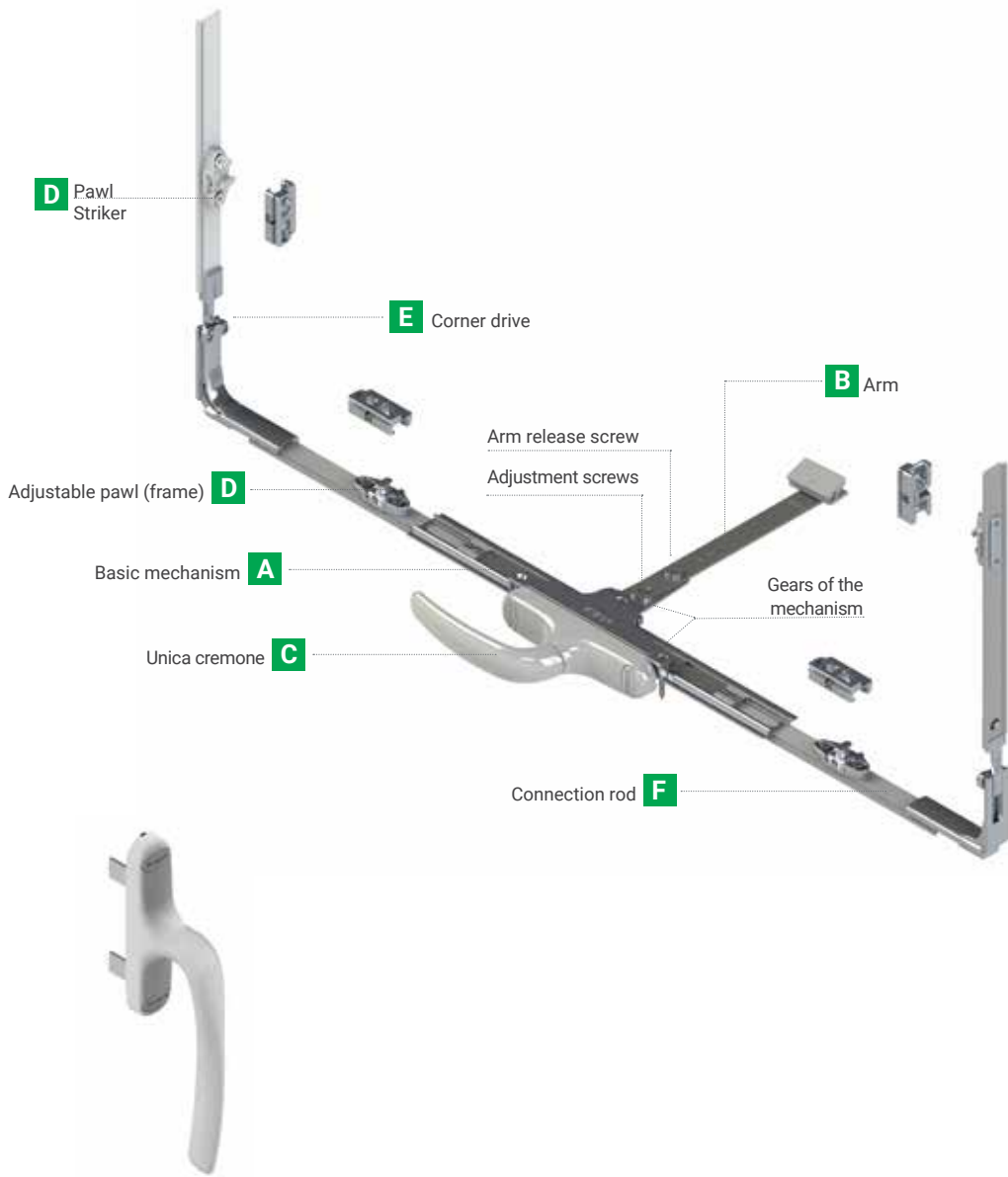
Go to the technical data sheet



Side-hung

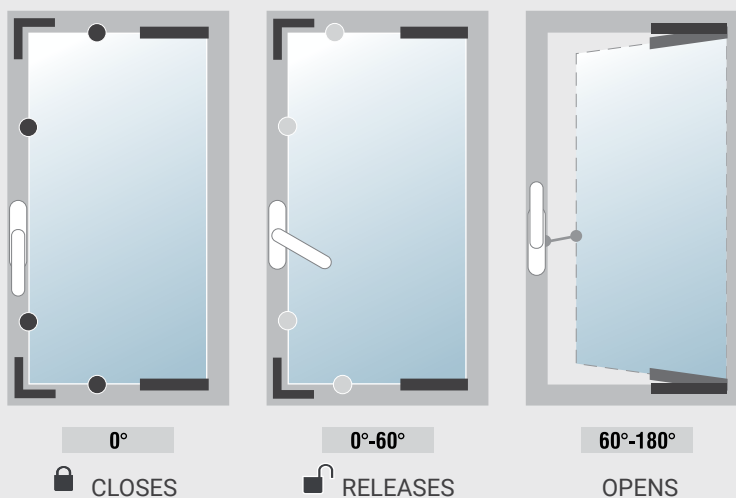


Top-hung



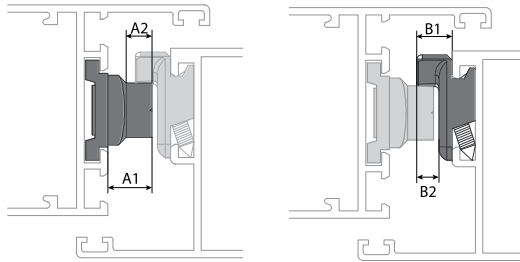
	Code	Description	Mechanism length	
			(mm)	(in)
A	02009	OS Operator 2.0 basic mechanism	317	12,480
	Code	Description	Arm length	
			(mm)	(in)
B	02064	OS Operator arm – aluminium – 172	172	6 ³ / ₄
	02065	OS Operator arm – aluminium – 152	152	6
	Code	Description	Handle length	
			(mm)	(in)
C	01171...	Unica cremone	120	4 ²³ / ₃₂
	01172...	Unica Key cremone	120	4 ²³ / ₃₂
	01128...	Long handle cremone	172	6 ²⁵ / ₃₂
	01127...	Unica Away cremone	–	–
	01129...	Handle for Unica Away	172	6 ²⁵ / ₃₂
	Code	Description		
D	02067	Pawl + striker		
E	02066	Corner drive		
	Code	Description	(m)	Rotolo (ft)
F	03524591N	Polyamide rod 30% recycled for 15/20 channel (black)	200	656,17
	03524542N	Polyamide rod for 15/20 channel (grey)	200	656,17
	Code	Description		
	06951	Seal for Unica cremone		
	02003	Tools for fixing OS Operator		

At 0° of cremone rotation the window is closed and the locking points are engaged. On turning the cremone to 60°, the locking points are released and during the next 120° of movement, the mechanism pushes the sash to maximum opening (according to the length of the OS arm).



ACCESSORIES Standard locking points

The locking point consists of a striker on the frame and a pawl on the rod that runs in the sash channel. Giesse offers different solutions depending on the geometry of the system used.



Zamak sash pawl



Adjustable pawl



Fixed pawl

Code	Description	Sash type	Adjustment (mm)	Height from rod face A1 (mm)	Useful pawl height A2 (mm)
04030K	Adjustable pawl	R40 and channel 15/20	-1,2	8,5	5
04027K	Fixed pawl	R40 and channel 15/20	-	8,5	7

Zamak frame strikers, with shims for height adjustment.



Fixed
striker



Adjustable
striker

Code	Description	Frame type	Adjustment (mm)	Height from frame face B1 (mm)	Useful retainer height B2 (mm)
01266K	Fixed striker	flat frame	–	9,5	6,5
01267K	Fixed striker	flat frame	–	10,5	7
01343K	Fixed striker	frame 14/18	–	6,7	4,2
01269K	Adjustable striker	flat frame	±1,8	10,7	5,2
01362K	Adjustable striker	frame 14/18	±1,8	7,7	5,2

ACCESSORIES HP locking points

Side-hung

Top-hung

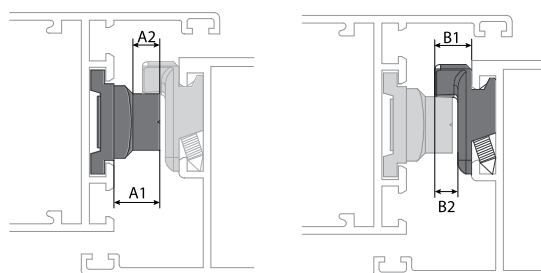
Parallel opening

UIK Group

0s Operator 2.0

Accessories

HP locking points feature extraordinary tensile strength. They are recommended for applications that require a particular fastener, for example in extremely tall buildings where the openings need to withstand high positive and negative wind pressure.



Zamak sash pawl.



Mx-Mx joint with fixed pawl



Mx-Mx joint for pawl 009

Code	Description	Channel type	Adjustment (mm)	Height from rod face A1 (mm)	Altezza utile nottolino A2 (mm)
04047K	Mx-Mx joint with fixed pawl	15/20 channel	–	8	4,7
04662K	Mx-Mx joint with fixed pawl	15/20 channel	–	13	5,5
01399	Mx-Mx joint for pawl 009	15/20 channel	–	–	–

ACCESSORIES HP locking points

Stainless steel sash pawl.



Pawl 009 adjustable



Pawl 009 fixed



Fixed pawl

Code	Description	Channel type	Adjustment (mm)	Height from rod face A1 (mm)	Useful pawl height A2 (mm)
01394	Pawl 009 adjustable	15/20 channel	±0,75	10,5	8
01395	Pawl 009 adjustable	15/20 channel	±0,75	8	5,5
04054	Pawl 009 fixed	15/20 channel	–	10,5	8
04052	Pawl 009 fixed	15/20 channel	–	8	5,5
04050	Fixed pawl	Channel R40 and 15/20	–	7,8	6,4
04066	Fixed pawl	Channel R40 and 15/20	–	10,5	9,2

Zamak frame strikers.



Fixed striker



Adjustable striker

Code	Description	Frame type	Adjustment (mm)	Height from frame face B1 (mm)	Useful retainer height B2 (mm)
01213	Fixed striker	flat frame	–	12	8,5
01214	Fixed striker	flat frame	–	14	10,5
01396	Adjustable striker	canaletta 14/18	±1,8	11,7	9,2
01280	Adjustable striker	flat frame	±1,8	12,5	6

ACCESSORIES multi-lock products

Side-hung



Code	Description	Note	Sash frame distance (mm)	Adjustment (mm)
04134	Adjustable anti-burglar/anti-typhoon	Compatible with base 01399	Profile cross-section 16,5 ±0,5	±1

Top-hung



Code	Description	Sash frame distance (mm)	Adjustment (mm)
0414101	Anti-burglar/anti-typhoon	Profile cross-section 16,5 ±0,5	-

Parallel opening



Code	Description	Sash frame distance (mm)	Adjustment (mm)
01410	Fastening element	Profile cross-section 17 ±3	±5

Ulk Group



Code	Description	Sash frame distance (mm)	Adjustment (mm)
01717	Central anti-lifting plug	Profile cross-section 17	-

0s Operator 2.0



Code	Description	Note	Compatibility	Stroke (mm)
04019K	Corner drive	Fixing with clips	15/20 channel	40
04020K	Corner drive	Fixing with grub screws	15/20 channel	40

Accessories

ACCESSORIES Automations

Chain actuators



Varia Evo
230 V AC
24 V DC



Varia Slim Base
230 V AC
24 V DC



Varia Slim
230 V AC
24 V DC



Varia Slim Plus
230 V AC
24 V DC



Varia Slim Small
24 V DC



Varia Tube
230 V AC
24 V DC RWA

Rack actuators



Rack Max 450
230 V AC



Rack Max 650
230 V AC
24 V DC

Rod actuators



ST 450
230V AC



Discover
all the
Automations

HARDWARE SOLUTIONS

EXTRUDED SOLUTIONS

CUSTOM SOLUTIONS



HOUSTON
HEADQUARTERS



1927
FOUNDATION



7,000+
EMPLOYEES



90+
MARKETS



60+
GLOBAL LOCATIONS



Contact Us

QUANEX-INTERNATIONAL.COM
QUANEX.COM



U1105201 - 05/2026