

A photograph of a modern balcony with a sliding glass door and a glass railing overlooking the ocean. The balcony floor is made of light-colored wooden planks. The sky is overcast and grey.

Champion Plus

Multi-locking system for
sliding doors and windows

 **GIESSE**

CHAMPION PLUS

Multi-locking system

The Champion Plus hardware system is the ideal solution for multipoint locking for sliding doors. The Champion Plus multi-locking range is available with 1 to 3 locking points, which can be installed on both doors and windows, either for 90° cut profiles or 45° cut profiles.



200 kg tensile strength

Champion Plus has been tested achieving resistance to strain values up to 200 kg for each locking point.



Easy installation

The rod is easily and quickly fitted to the profile using a special fixing kit.



Maximum corrosion resistance

Materials used ensure high corrosion resistance according to the EN1670 standard, up to the highest level of the norm (Classe 5).



Wide range

The rods are available in different lengths, so they can easily adapt to the different sizes of windows or doors.



Family feeling

A wide range of handles which can be coordinated with the cremones and handles used on other types of casement.



Micro-ventilation

Minimizes condensation and ensures fresh air supply to the interior without compromising the temperature in the room.



Incorrect movement safety device

Prevents the system from reverting to the lock position, thus protecting the components from accidental knocks.

90° CUT PROFILES

Champion Plus 90 Minimal, fixed nibs	4
Champion Plus 90 Minimal, adjustable nibs	5
Champion Plus 90	6
Codes	7

CHAMPION PLUS 90 MINIMAL

Availability: Q2 2026

MULTILOCK ROD WITH FIXED NIBS



Minimal design

The minimal width of the rod allows it to be used on profiles with a reduced distance between door and frame (between 3.5 and 7.3 mm).



Lock

European cylinder lock available as an additional device, compatible with all lengths.



Maximum corrosion resistance

EN 1670 Grade 5, the highest corrosion resistance level (>480h salt spray).

Rod

- 1 Wide range of lengths available:
600, 1000 (2 locking points)
1600 (3 locking points)
- 2 16 mm backset
- 3 Fixed hook nibs
- 4 Galvanized zamak housing and rotor with 43 mm fixing c/c distance
- 5 Rod fixing elements included

Fixing kit (sold separately)

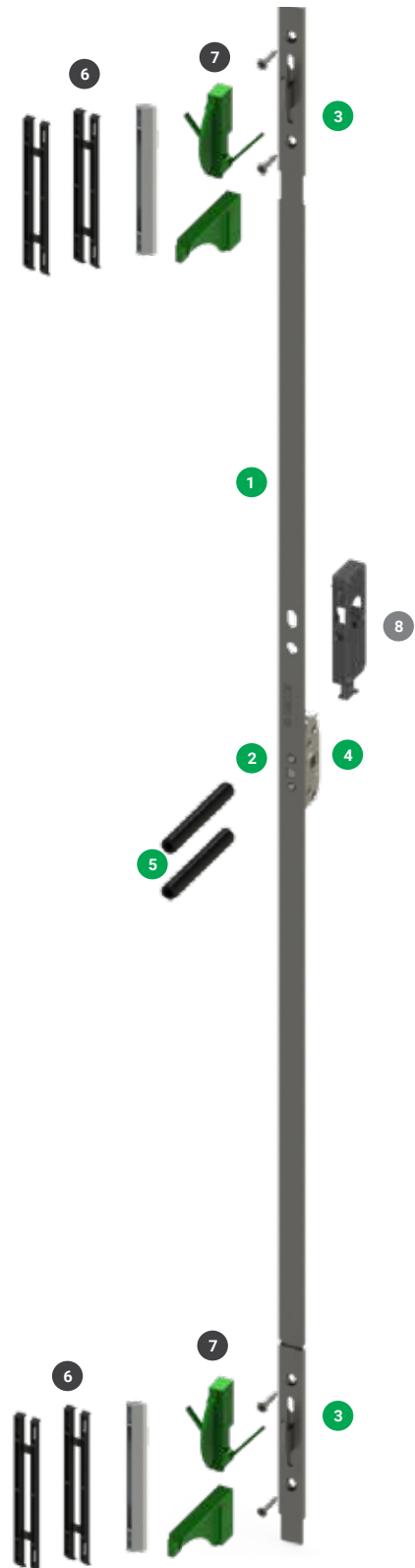
- 6 Counterplate with 2 mm and 3 mm shims.
- 7 Centering templates kit for rod and counterplate

Lock (sold separately)

- 8 Lock



Go to
technical
sheet



CHAMPION PLUS 90 MINIMAL

Availability: Q2 2026

MULTILOCK ROD WITH ADJUSTABLE NIBS



Minimal design

The minimal width of the rod allow it to be used on profiles with a reduced distance between the door and frame (between 3.5 and 7.3 mm).



Lock

European cylinder lock available as an additional device, compatible with all lengths.



Maximum corrosion resistance

EN 1670 Grade 5, the highest corrosion resistance level (>480h salt spray).



Adjustable nibs

Adjustable hook nibs (+5/-3 mm).



Rod

- 1 Wide range of lengths available:
600, 1000 (2 locking points)
1600 (3 locking points)
- 2 16 mm backset
- 3 Adjustable hook nibs
- 4 Galvanized zamak housing and rotor with 43 mm fixing c/c distance
- 5 Rod fixing elements included

Fixing kit (sold separately)

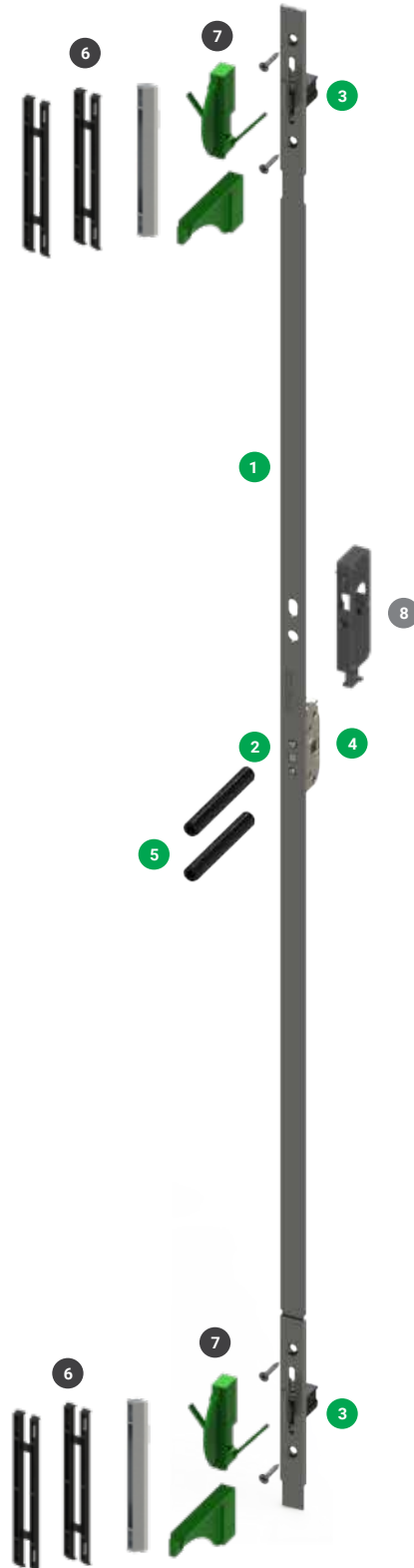
- 6 Counterplate with 2 mm and 3 mm shims.
- 7 Centering templates kit for rod and counterplate

Lock (sold separately)

- 8 Lock



Go to
technical
sheet



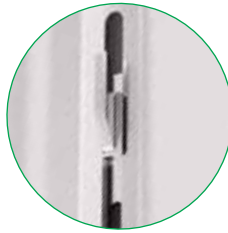
CHAMPION PLUS 90

MULTILOCK ROD



Hook nibs

Reduced section of the nibs for a smaller footprint.



Versatile

Special counterplate with +2 mm overlap depending on the direction of installation. 2 and 3 mm shims increase the range of application.



High corrosion resistance

Grade 4, according to EN 1670 norm (>240h salt spray).

Rod

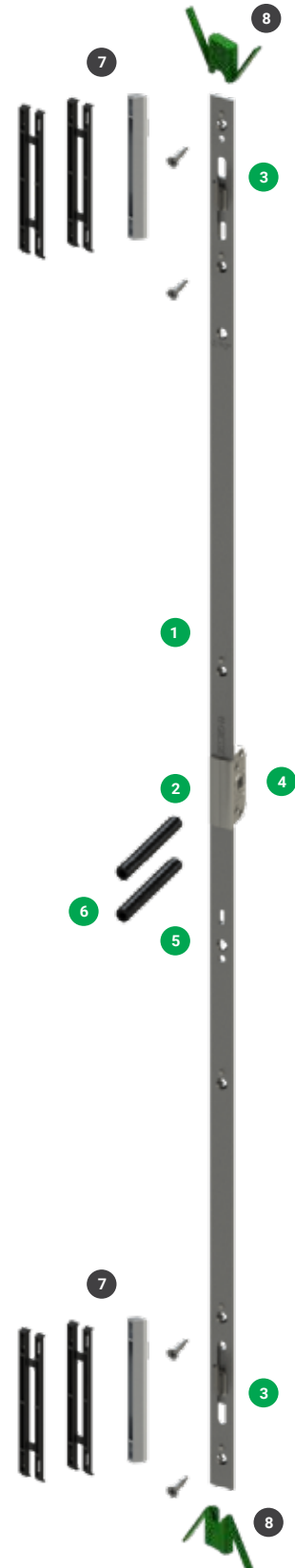
- 1 Wide range of lengths available:
600, 1000 (2 locking points)
1600 (3 locking points)
- 2 15 mm backset
- 3 Hook nibs
- 4 Galvanized zamak housing and rotor with 43 mm fixing c/c distance
- 5 Version available for European cylinder (backset 15 - length 1600)
- 6 Rod fixing elements included

Fixing kit (sold separately)

- 7 Counterplate with 2 mm and 3 mm shims.
- 8 Centering templates kit for rod and counterplate



Go to
**technical
sheet**



Champion Plus 90 Minimal

Code	Cut	Backset	Cylinder setup	Micro ventilation	Height	Locking points	Incorrect movement safety device
------	-----	---------	----------------	-------------------	--------	----------------	----------------------------------

Fixed nibs rods

06484000	90°	16	✓	✗	600 mm	2	✗
06485000	90°	16	✓	✗	1000 mm	2	✗
06486000	90°	16	✓	✗	1600 mm	3	✗

Adjustable nibs rods

06487000	90°	16	✓	✗	600 mm	2	✗
06488000	90°	16	✓	✗	1000 mm	2	✗
06489000	90°	16	✓	✗	1600 mm	3	✗

Other components

06490000	Lock for Champion Plus 90 Minimal						
06494000	Templates Kit for Champion Plus 90 Minimal						
06324000	Counterplate Kit						

Champion Plus 90

Code	Cut	Backset	Cylinder setup	Micro ventilation	Height	Locking points	Incorrect movement safety device
------	-----	---------	----------------	-------------------	--------	----------------	----------------------------------

Rods

06327000	90°	15	✗	✗	600 mm	2	✗
06328000	90°	15	✗	✗	1000 mm	2	✗
06329000	90°	15	✗	✗	1600 mm	3	✗
06330000	90°	15	✓	✗	1600 mm	3	✗

Other components

06360000	Template for Champion Plus 90						
06324000	Counterplate Kit						



45° CUT PROFILES

Stainless Steel Champion Plus	9
Champion Plus Microvent	10
Champion Plus	11
Champion Plus 0-180	12
Codes	13

STAINLESS STEEL CHAMPION PLUS

New!

STAINLESS STEEL MULTILOCK ROD



Optional incorrect movement safety device

When the sash is open, prevents the system from reverting to the lock position, thus protecting the components from accidental knocks.



Maximum corrosion resistance

AISI 304 stainless steel rods guarantee Grade 5 corrosion resistance (EN 1670).



AISI 304 stainless steel rod

- 1 Wide range of lengths available:
300 (1 locking point)
600, 1000 (2 locking points)
1600 and 1800 (3 locking points)
- 2 7,5 or 15 mm backset
- 3 Steel lift-proof pin with integrated damper
- 4 Galvanized zamak housing and rotor with 43 mm fixing c/c distance
- 5 Galvanised zamak nibs
- 6 Version available for European cylinder (backset 15 - length 1800)

Fixing kit (sold separately)

Each rod, depending on the type of sliding profile used, must be combined with the appropriate fixing kit (see QR code).

- 7 Frame striker
- 8 Adapter for frame striker
- 9 Lift-proof striker
- 10 Rod adapter

Incorrect movement safety device (sold separately)

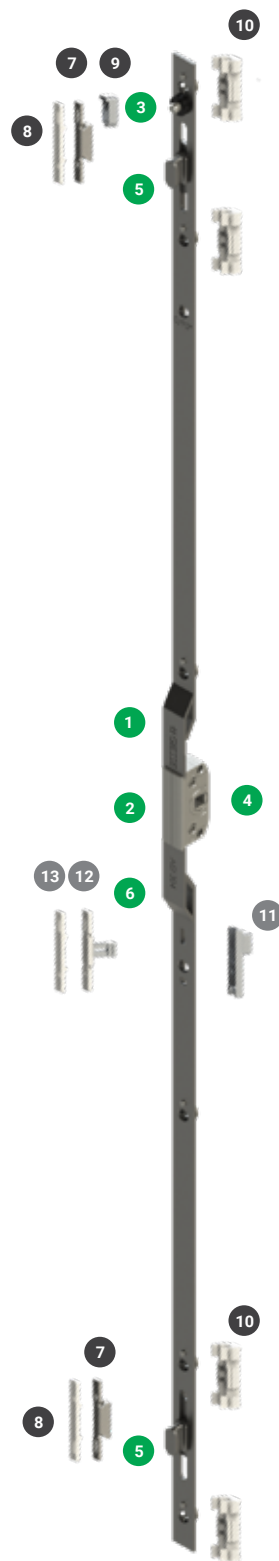
- 11 Incorrect movement safety device
- 12 Striker for incorrect movement safety device
- 13 Adapter for incorrect movement safety device striker



Go to
**technical
sheet**



Go to
**fixing
kits**



CHAMPION PLUS MICROVENT

MULTILOCK ROD WITH MICRO-VENTILATION



Micro-ventilation device

Turning the handle 180° opens the door only a few millimeters, allowing a constant air flow.



High corrosion resistance

Grade 4, according to EN 1670 norm (>240h salt spray).



Watch the video

Asta

- 1 Wide range of lengths available:
600, 1000 (2 locking points)
1600 (3 locking points)
- 2 7,5 or 15 mm backset
- 3 Steel lift-proof pin with integrated damper
- 4 Galvanized zamak housing and rotor with 43 mm fixing c/c distance
- 5 Stainless steel nibs
- 6 Version available for European cylinder (backset 15 - length 1600)

Fixing kit (sold separately)

Each rod, depending on the type of sliding profile used, must be combined with the appropriate fixing kit (see QR code).

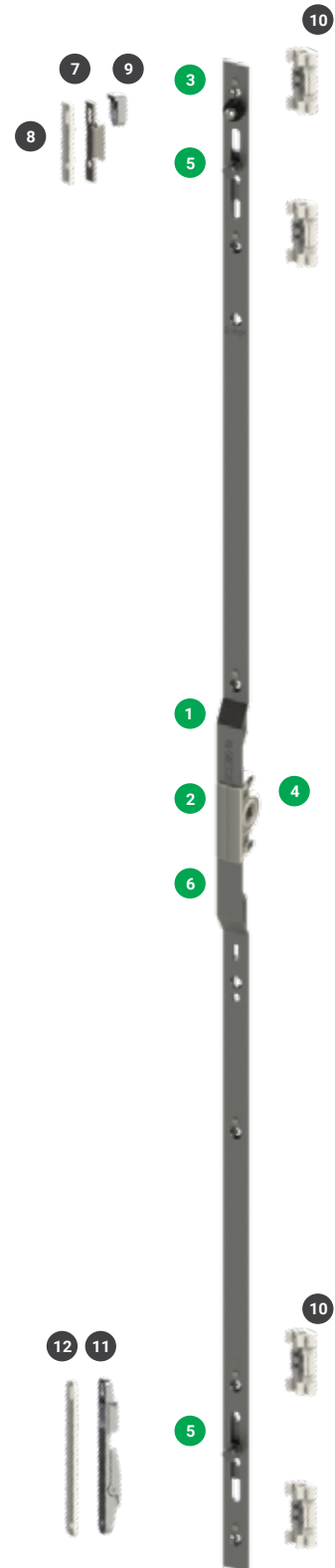
- 7 Frame striker
- 8 Adapter for frame striker
- 9 Lift-proof striker
- 10 Rod adapter
- 11 Micro-ventilation striker
- 12 Adapter for micro-ventilation striker



Go to technical sheet



Go to fixing kits



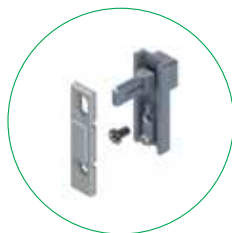
CHAMPION PLUS

MULTILOCK ROD



Optional incorrect movement safety device

When the sash is open, it prevents the system from reverting to the lock position, thus protecting the components from accidental knocks.



High corrosion resistance

Grade 4, according to EN 1670 norm (>240h salt spray).

Rod

- 1 Wide range of lengths available:
300 (1 locking point)
600, 1000 (2 locking points)
1600 and 1800 (3 locking points)
- 2 7,5 or 15 mm backset
- 3 Steel lift-proof pin with integrated damper
- 4 Galvanized zamak housing and rotor with 43 mm fixing c/c distance
- 5 Galvanised zamak nibs
- 6 Version available for European cylinder (backset 15 - length 1800)

Fixing kit (sold separately)

Each rod, depending on the type of sliding profile used, must be combined with the appropriate fixing kit (see QR code).

- 7 Frame striker
- 8 Adapter for frame striker
- 9 Lift-proof striker
- 10 Rod adapter

Incorrect movement safety device (sold separately)

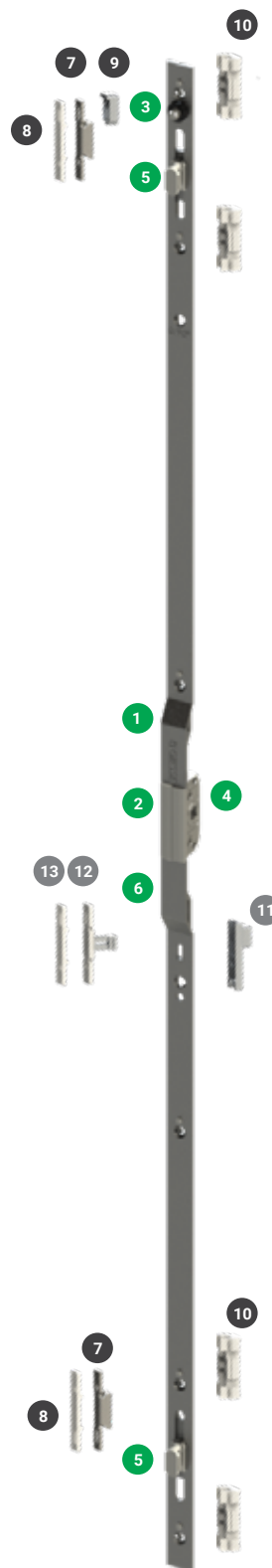
- 11 Incorrect movement safety device
- 12 Striker for incorrect movement safety device
- 13 Adapter for incorrect movement safety device striker



Go to
**technical
sheet**



Go to
**fixing
kits**



CHAMPION PLUS 0-180 New!

MULTILOCK ROD



For disappearing sashes

The handle's 180° rotation allows for wider openings. Ideal for sliding doors that disappear into the wall.



High corrosion resistance

Grade 4, according to EN 1670 norm (>240h salt spray).

Asta

- 1 Wide range of lengths available:
300 (1 locking point)
600, 1000 (2 locking points)
1600 (3 locking points)
- 2 15 mm backset
- 3 Steel lift-proof pin with integrated damper
- 4 Galvanized zamak housing and rotor with 43 mm fixing c/c distance
- 5 Galvanised zamak nibs
- 6 Version available for European cylinder (backset 15 - length 1600)

Fixing kit (sold separately)

Each rod, depending on the type of sliding profile used, must be combined with the appropriate fixing kit (see QR code).

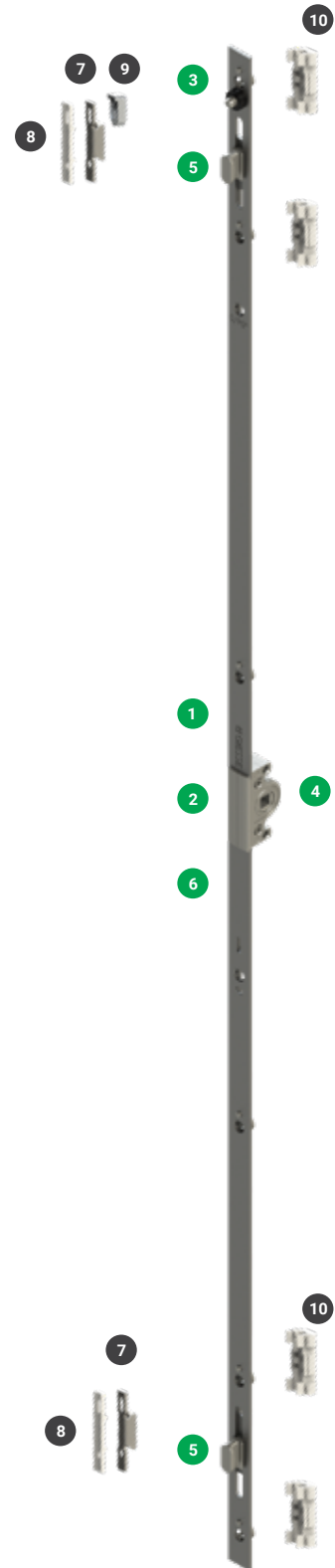
- 7 Frame striker
- 8 Adapter for frame striker
- 9 Lift-proof striker
- 10 Rod adapter



Go to
**technical
sheet**



Go to
**fixing
kits**



Code	Cut	Backset	Cylinder setup	Micro ventilation	Height	Locking points	Incorrect movement safety device
------	-----	---------	----------------	-------------------	--------	----------------	----------------------------------

Stainless Steel Champion Plus rods

06454000	45°	7.5	×	×	300 mm	1	×
06455000	45°	7.5	×	×	600 mm	2	02770
06456000	45°	7.5	×	×	1000 mm	2	02770
06457000	45°	7.5	×	×	1600 mm	3	02770
06458000	45°	7.5	×	×	1800 mm	3	02770
06464000	45°	15	×	×	300 mm	1	×
06465000	45°	15	×	×	600 mm	2	02770
06466000	45°	15	×	×	1000 mm	2	02770
06467000	45°	15	×	×	1600 mm	3	02770
06468000	45°	15	×	×	1800 mm	3	02770
06469000	45°	15	✓	×	1800 mm	3	02770

Champion Plus Microvent rods

06334000	45°	7.5	×	✓	600 mm	2	×
06335000	45°	7.5	×	✓	1000 mm	2	×
06336000	45°	7.5	×	✓	1600 mm	3	×
06337000	45°	15	×	✓	600 mm	2	×
06338000	45°	15	×	✓	1000 mm	2	×
06339000	45°	15	×	✓	1600 mm	3	×
06340000	45°	15	✓	✓	1600 mm	3	×

Champion Plus rods

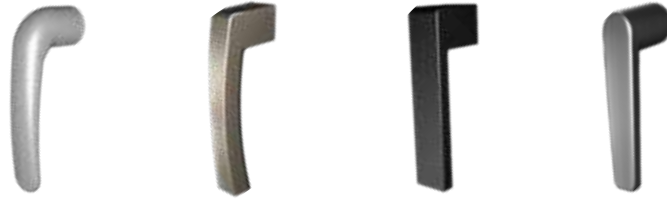
0272000001	45°	7.5	×	×	300 mm	1	×
0272100001	45°	7.5	×	×	600 mm	2	02770
0272200001	45°	7.5	×	×	1000 mm	2	02770
0630900001	45°	7.5	×	×	1600 mm	3	02770
0272300001	45°	7.5	×	×	1800 mm	3	02770
0272400001	45°	15	×	×	300 mm	1	×
0272500001	45°	15	×	×	600 mm	2	02770
0272600001	45°	15	×	×	1000 mm	2	02770
0631000001	45°	15	×	×	1600 mm	3	02770
0272700001	45°	15	×	×	1800 mm	3	02770
0272800001	45°	15	✓	×	1800 mm	3	02770

Champion Plus 0-180 rods

06478000	45°	15	×	×	300 mm	1	×
06474000	45°	15	×	×	600 mm	2	×
06475000	45°	15	×	×	1000 mm	2	×
06476000	45°	15	×	×	1600 mm	3	×
06477000	45°	15	✓	×	1600 mm	3	×

Champion Plus - handles

Finishes available: base primer, RAL colours and the exclusive high-end "TREND" finishes.
Highest corrosion resistance: grade 5 according to European standard EN 1670, for use in environments with severe climatic conditions.



	PRIMA	ASIA	KORA	ARIA
SUPRA7 window handle without base	04155 Standard 04397 Double	04153 Standard 04395 Double	04154 Standard 04396 Double	04156 Standard 04398 Double
Window handle	02762 Standard 02763 Double	02415 Standard 02415 Double	00997 Standard 00998 Double	×
Offset window handle	×	×	0099611 / 0099621 Standard 0304911 / 0304921 large plate	×



	Recessed handle	External recessed handle	Blank recessed handle for opposite sash
	02760 Standard 02761 Oversize profiles	02764 Standard	02765 Standard



REGUITTI

Also discover the collections of **Regutti** and **Regutti inox** window handles.



**HARDWARE
SOLUTIONS**

**EXTRUDED
SOLUTIONS**

**CUSTOM
SOLUTIONS**



**HOUSTON
HEADQUARTERS**



**1927
FOUNDATION**



**7.000+
EMPLOYEES**



**90+
MARKETS**



**60+
GLOBAL LOCATIONS**



Contact Us

**QUANEX-INTERNATIONAL.COM
QUANEX.COM**



U1031201 - 11/2025