



## CHIC DOOR RG HINGES

### Functions

Reversible recessed door hinge, to be applied inside the profiles for complete product invisibility when the door is closed.

With its innovative (patented) design, the product can be adjusted in two directions (laterally and in height) by a single operator.

Online data sheet



### Technical Features

CHIC DOOR RG is a concealed hinge, suitable for aluminium doors, even of large dimensions and considerable weight.

An innovative design (patented) makes it possible to apply the product very quickly inside the profiles.

To apply the hinge, in fact, it is sufficient to simply make a machining on the frame and then insert the hinge into the sash channel.

The product is fixed to the frame by means of previously inserted slip-on plates in the frame channel.

CHIC DOOR RG adjustable in two directions:

- Side adjustment (+/- 2 mm.), using a hex wrench on the hinge adjusters.
- Height adjustment (- 2 / + 4 mm.), using a hex wrench on the adjustment screw.

The hinge rotation angle is approx. 105° (also depending on the profile geometry).

If the sash can be opened > 90°, the use of a Friz limitation arm (art. 02034K) is recommended.

The sash adjustment operations can be carried out by a single operator directly on site.

CHIC DOOR RG is a CE marked product in compliance with standard EN1935 (200,000 cycles) - Class 12.

### Materials

Hinge body in die-cast zamak

Hinge neck, frame fixing plates and height adjustment component in extruded aluminium

Hinge internal pin made of stainless steel

Screws and grub screws in stainless steel

Polyamide bushes

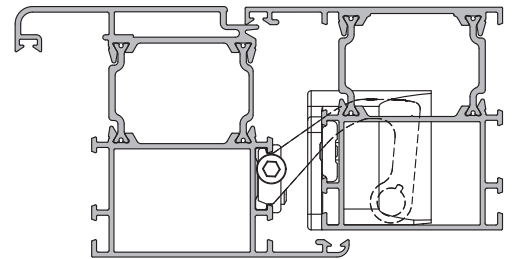
### Capacities

120 kg with 2 hinges

135 kg with 3 hinges

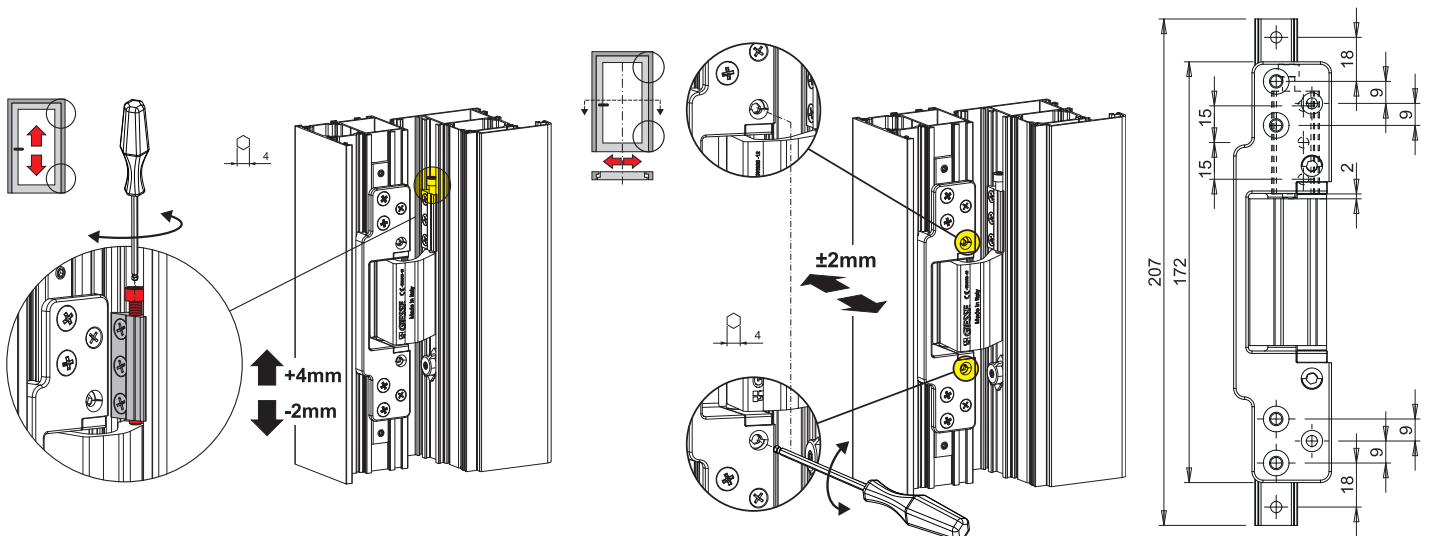
150 kg with 4 hinges

For load capacities with door closer, see the relevant fitting instructions.



Height adjustment

Side adjustment



Item code	Description	PROFILE CROSS - SECTION	Version	Opening	Friz Arm	Height adjustment	Side adjustment	Base Raw	Anodised Elox	Painted	Trend/Gold Brass	Pieces per pack
00726	CHIC DOOR RG	C007	reversible	external	02034K	+4 / -2 mm	±2 mm		X			2