



OUTWARD OPENING
**LIMITATION ARM
WITH LOCK**

OUTWARD OPENING: LIMITATION ARM WITH LOCK

The limitation function of the sash is fundamentally important for safety. This avoid objects or people accidentally falling, or the sash being closed by a gust of wind.

Limitation arm - main features:

- Use individually or in pairs (one arm per side)
- The hardware can be activated by means of a cremone + a driver or, alternatively, by means of a window handle + a Ghibo Plus reduction unit;
- Possible use of a "Key Capture" mechanism components (cremone or window handle) to prevent the sash from opening fully.

| Item code | Type of opening | Sash-frame distance (mm) | Rod length (mm) (*) | Type of one-way stroke |
|-----------|-----------------|--------------------------|---------------------|------------------------|
| 01700 | Top-hung | 17 | 235 | 18 + 18 |
| | Side-hung | | | |

* versions shorter than the standard length can be made on request.

Some examples of compatibility

- One-way cremone; art. 01108
- Giese window handles (various products) + Ghibo Plus mechanism; art. 02079
- Unica cremone 01150 001 + outward opening kit; art. 02407/08



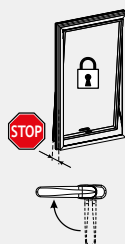
Top-hung Operation



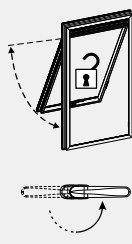
Sash closed



Limited opening, without lock



Sash locked in position of maximum limitation

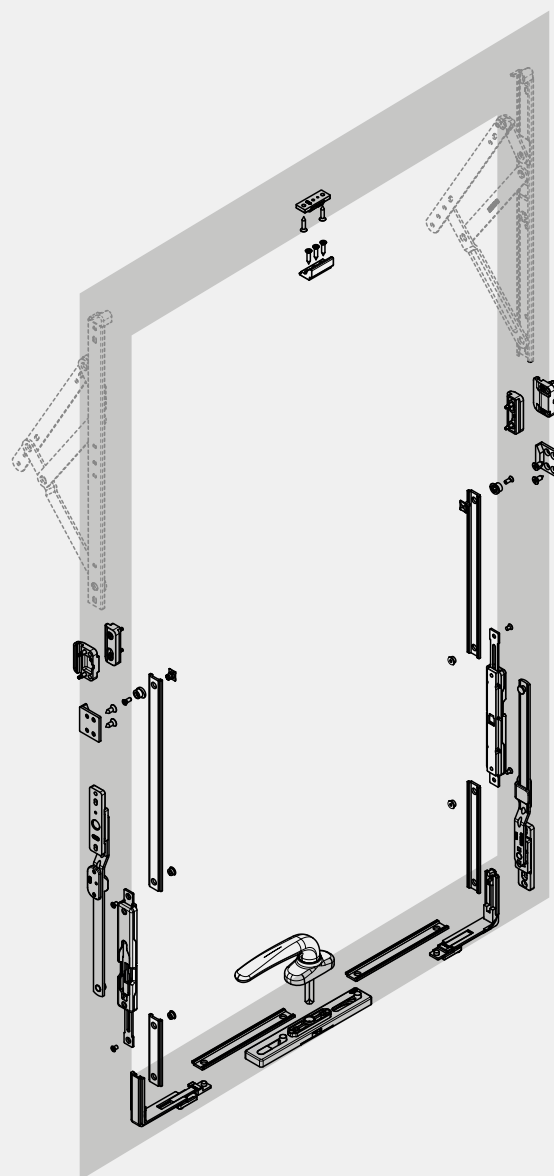


Sash can be opened fully

Top-hung

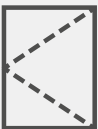
Example configuration

| | Item code | Quantity |
|-------------------------------|-----------|----------|
| Limitation arm with lock | 01700 | 2 |
| Ghibo Plus internal mechanism | 02079 | 1 |
| Corner drive | 04020 K | 2 |
| Fixed pawl – H 10.5 | 04049 | 2 |
| Adjustable striker | 01396 | 2 |
| Window handle | choice | 1 |
| Centring bushing | 01717 | 2 |
| Fastening element | 01410 | 1 |

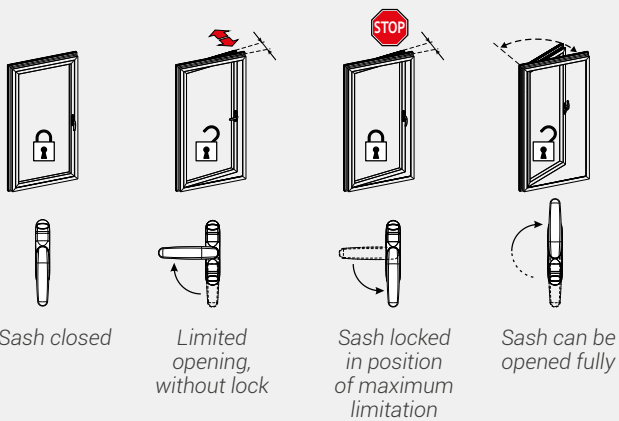




| | description | unit |
|---|---------------------------------|------|
| 1 | Limitation arm | 1 |
| 2 | Lock mechanism | 1 |
| 3 | Fixing screws | 4 |
| 4 | Limitation arm positioning clip | 1 |
| 5 | Fixing screw with rod | 2 |
| 6 | Pin for Ø 8 mm hole | 2 |



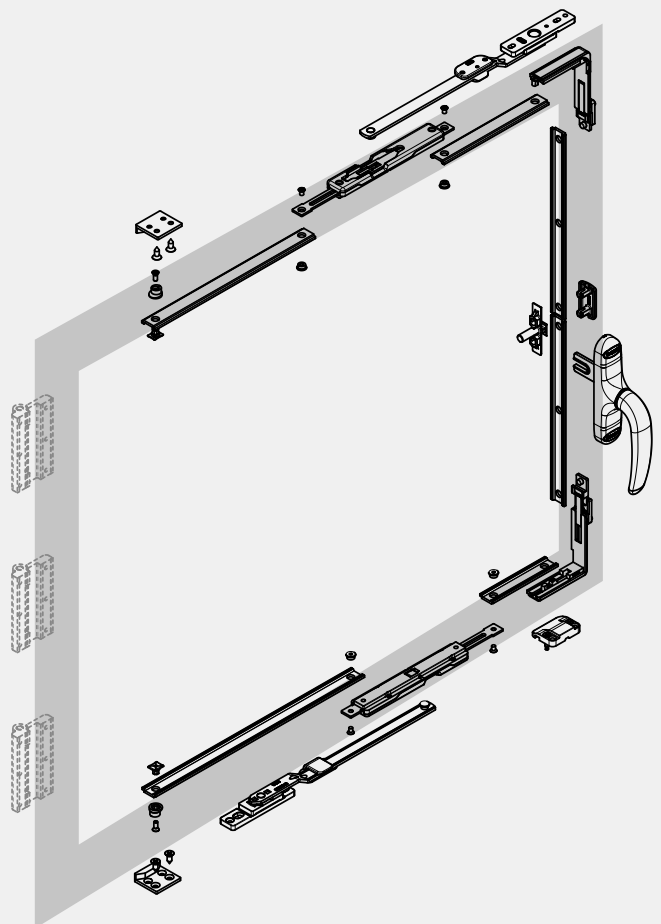
Side-hung Operation



Side-hung

Example configuration

| | Item code | Quantity |
|--------------------------|-----------|----------|
| Limitation arm with lock | 01700 | 2 |
| Unica cremone | 1150 01 | 1 |
| Outward opening kit | 02407/08 | 1 |
| Drive rod | 04049001 | 1 |
| Corner drive | 04020 K | 2 |
| Fixed pawl – H 10.5 | 04049 | 2 |
| Adjustable striker | 01396 | 2 |
| Centring bushing | 01717 | 1 |



A brighter sky.

Schlegel

GIESSE

REGUITTI

JATEC

Four brands, one brilliant identity.

We are **Tyman International**, a division of the Tyman group, worldwide supplier of engineered fenestration components and access solutions.

We strive to design brilliant hardware that improves performance, reliability and assembly speed, redefining the standard of windows and doors.

Our aim is to transform the security, comfort and sustainability of buildings through our expert touch.

 **TYMAN**
International

tyman-international.com

