

SECURITY SASH

Functions

The Security Sash is a piece of hardware for making security side-hung case-ments.

Technical Features

The Security Sash hardware permits limited opening of the sash, depending on the arm adjustment, with the cremone turned through 90° (see table) and fully opened with the cremone turned through 180°.

It is available in two versions depending on the position of the arms that can be with horizontal or vertical closing.

Operation:

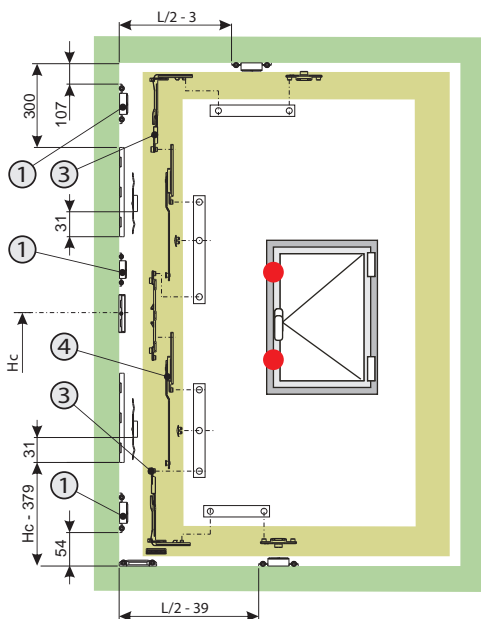
- 0° mechanism - closed sash
- 90° mechanism - open sash (limited)
- 180° mechanism - fully open sash

Making a Security Sash requires:

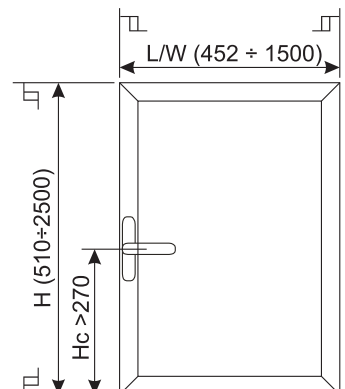
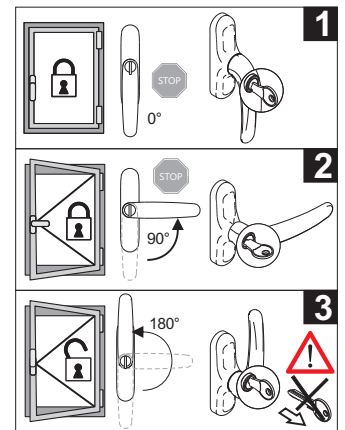
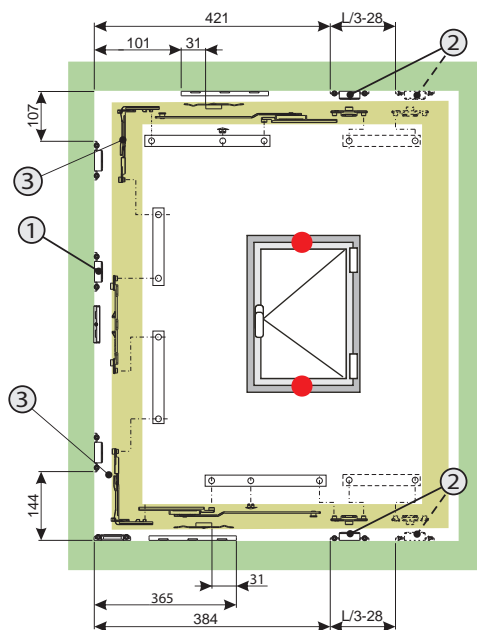
- Security Sash Kit (horizontal or vertical)
- Sash hinges (CHIC 100, CHIC 130, FLASH BASE, BRIDGE 2, CELERA, FULCRA, FLASH XXL)
- Key Capture Cremone
- Additional fastening mechanisms



VERTICAL SECURITY SASH



HORIZONTAL SECURITY SASH



SECURITY SASH KIT



Functions

The Security Sash hardware kit permits limited opening of the sash, depending on the arm adjustment, with the cremone turned through 90° and fully opened with the cremone turned through 180°.

Online data sheet



Technical Features

The kit is available in two versions depending on the position of the arms that can be with horizontal or vertical closing.

The Key Capture cremone and the CHIC 100, CHIC 130, FLASH BASE, BRIDGE 2, CELERA, FULCRA, FLASH XXL type hinges must be added to the kit, depending on the size and capacity of the casement.

Using Key mechanisms you can inhibit full opening of the sash, retaining only the emergency exit.

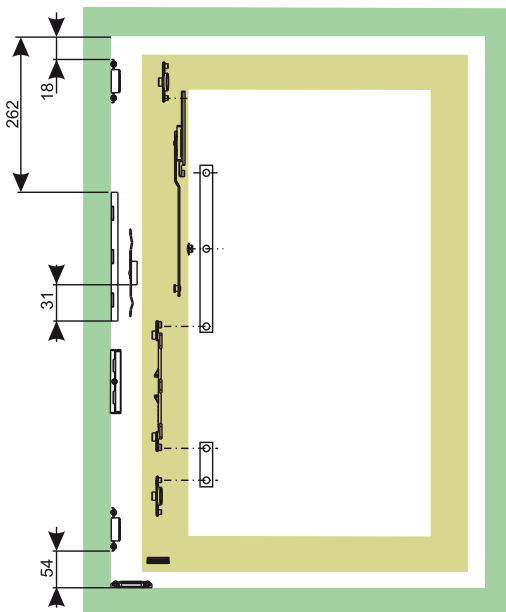
Materials

Strikers, connection elements, incorrect movement striker, drive rod, slider, stop plate, drives and clips in zamak with GS Silver Plus finish (up to 500 h of corrosion resistance).

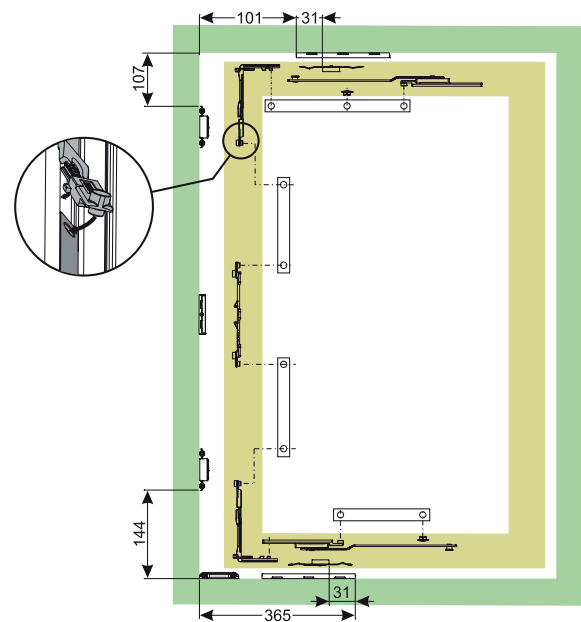
Striker and lifting element, incorrect movement safety device shims, adjustment shims and supporting plug in polyamide.

Screws, grub screws, additional arm and spring for arm in stainless steel.

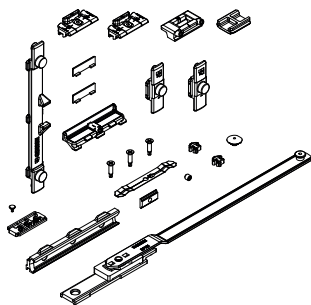
VERTICAL SECURITY SASH KIT



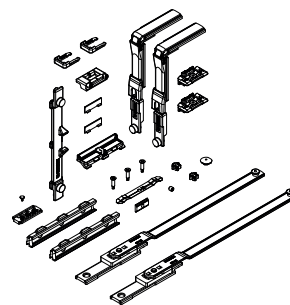
HORIZONTAL SECURITY SASH KIT



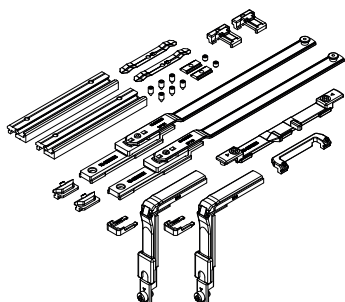
01174K



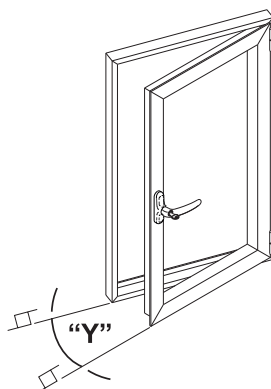
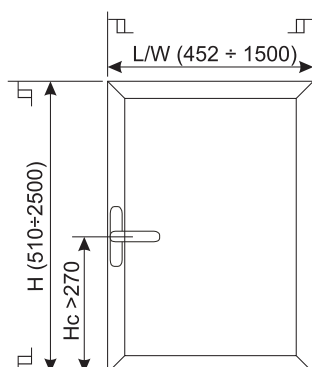
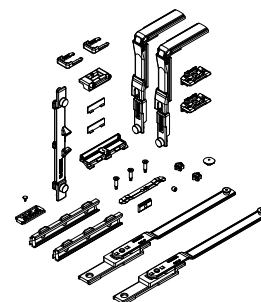
01175K



01207



01210



Item code	Description	PROFILE CROSS - SECTION	Sash range [mm]	Y [mm] Limited sash opening	Base Raw	Anodised Elox	Painted	Trend/Gold Brass	Pieces per pack
01174K	FUTURA VERTICAL SECURITY SASH MECHANISM	C001-C002-C003-C004-C005-C006	W 800 ÷ 1500 H 650 ÷ 2500	110÷140	X				10
01175K	FUTURA HORIZONTAL SECURITY SASH MECHANISM	C001-C002-C003-C004-C005-C006	W 452 ÷ 1500 H 510 ÷ 2500	130÷260	X				10
01207	FUTURA HORIZONTAL SECURITY SASH MECHANISM	C007	L 480 ÷ 1500 H 510 ÷ 2500	130÷260	X				10
01210	FUTURA HORIZONTAL SECURITY SASH MECHANISM	C001-C002-C003-C005	L 397 ÷ 1500 H 510 ÷ 2500	92÷152	X				10

SECURITY SASH CREMONE



Functions

The Giesse Key Capture cremones are decisive for the operation of the Security Sash.

Online data sheet



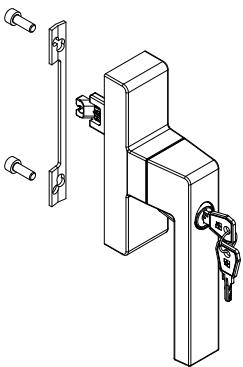
Technical Features

Operation:

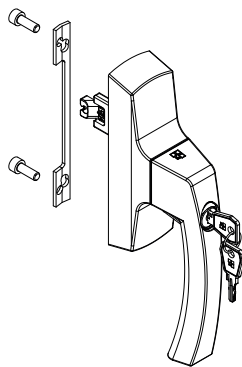
- 0° mechanism - closed sash
- 90° mechanism - open sash (limited)
- 180° mechanism - fully open sash

The cylinder has the Giesse Key Capture system.

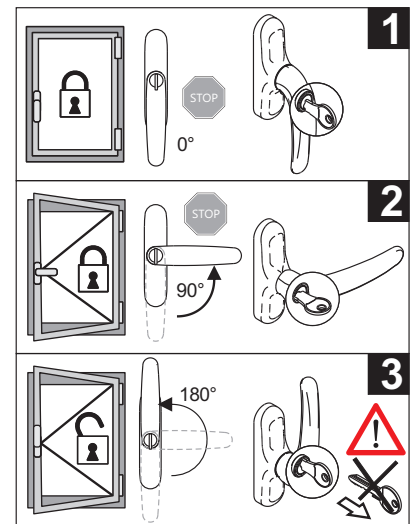
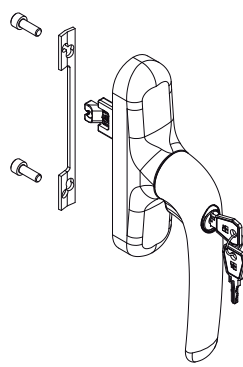
00961



01086



01192



Item code	Description	PROFILE CROSS - SECTION	C/C distances	Operation	Base Raw	Anodised Elox	Painted	Trend/Gold Brass	Pieces per pack
00961	KORA KEY T/T CREMONE LGC	C001-C002-C003-C004-C005-C006-C007-C008-C009-C010-C012-C013-C014-C015-C016-C017	104 - 92	one-way	X		X	X	5
01086	ASIA KEY CAPTURE LGC CREMONE	C001-C002-C003-C004-C005-C006-C007-C012-C013-C014-C015-C016-C017	104 - 92	one-way	X		X		5
01192	PRIMA KEY CAPTURE LGC CREMONE	C001-C002-C003-C004-C005-C006-C007-C010-C012-C013-C014-C014-C015-C016-C017	104 - 92	one-way	X		X		5



SECURITY SASH HINGES

Functions

According to the need for visible or concealed hinges and the required load capacities, any Giesse sash hinge can be used.

Online data sheet



00120U

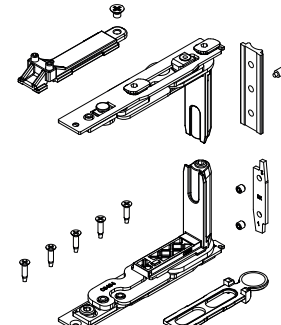
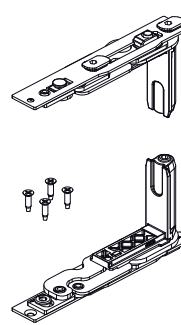
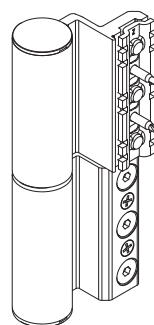
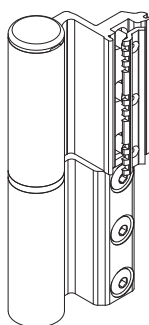
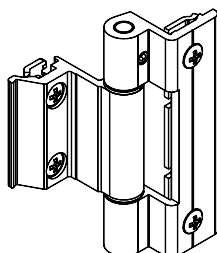
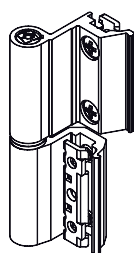
00600N

00681

00700

043541

044241



Item code	Description	PROFILE CROSS - SECTION	Hand	Load capacity 2 hinges [kg]	Load capacity 3 hinges [kg]	Base Raw	Anodised Elbox	Painted	Trend/Gold Brass	Pieces per pack
00120U	FLASH BASE HINGE	C001		75	85	X	X	X	X	20
00128U	FLASH BASE HINGE	C007		75	85	X	X	X	X	20
00598N	HINGE FOR FLASH XXL DOORS	C001		160	180		X			20
00599	COVER, FLASH XXL HINGE	C001		-	-	X	X	X	X	20
00600N	BRIDGE 2 HINGE	C001-C002		90	100	X	X	X	X	20
00602N	BRIDGE 2 HINGE	C007		90	100	X	X	X	X	20
00681	CELERA HINGE	C001 - C002 - C005		100	120	X	X	X	X	20
00682	CELERA HINGE	C007		100	120	X	X	X	X	20
00700	FULCRA HINGE EURO GROOVE	C001-C013-C015-C016		120	150	X	X	X	X	10
00701	FULCRA HINGE R40	C007-C008		120	150	X	X	X	X	10
043541	CHIC - SASH HINGE SET	C001-C002-C003-C005-C006	RX	100	-	X				10
043542	CHIC - SASH HINGE SET	C001-C002-C003-C005-C006	LX	100	-	X				10
044241	CHIC - SASH HINGE SET	C001	RX	130	-	X				10
044242	CHIC - SASH HINGE SET	C001	LX	130	-	X				10

SECURITY SASH ADDITIONAL FASTENING MECHANISMS



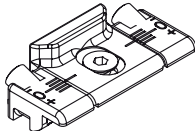
Functions

On the basis of the dimensions of the casement, the additional fastening mechanisms are to be used in conjunction with the Security Sash or Futura HP Bottom-Hung Windows mechanisms.

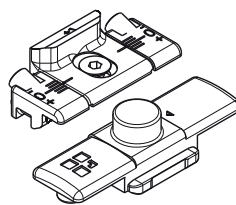
Online data sheet



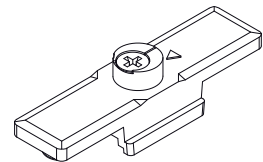
01347K



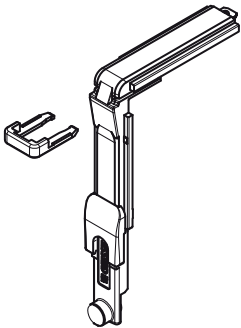
04777K



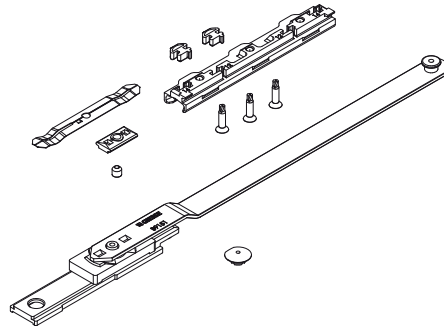
04048



04019K



04301K



Item code	Description	PROFILE CROSS - SECTION	L (mm)	H (mm)	Base Raw	Anodised Elox	Painted	Trend/Gold Brass	Pieces per pack
01347K	CLOSING STRIKER	C001-C002-C003-C005-C011-C013-C014-C015-C016-C017-P001-P002-P004-P005-P006-P008-P009	-	1201 ÷ 2500	X				200
04019K	CORNER DRIVE FOR 01174K	C001-C002-C003-C005-C006-C013-C014-C015-C016-C017	1001 ÷ 1500	-	X				10
04301K	ADDITIONAL ARM FOR 01174K	C001-C002-C003-C005-C006-C011-C013-C014-C015-C016-C017	-	1201 ÷ 2500	X				5
04777K	HORIZONTAL ADDITIONAL FASTENING MECHANISM FOR 01175K	C001-C002-C003-C005-C006-C011-C013-C014-C015-C016-C017	751 ÷ 1500	-	X				50
04048	FIXED CONNECTION JOINT MX-MX	C007	-	1201 ÷ 2500	X				100