

HP BOTTOM-HUNG WINDOW

HP BOTTOM-HUNG WINDOW

Functions

The HP bottom-hung window is a mechanism suitable for the construction of bottom-hung window casement weighing up to 250 kg.

Technical Features

The hardware allows the construction of casements with height up to 3000 mm and width up to 2500 mm.

Possibility to close the casement on three sides (excellent air-water-wind performance).

Operation:

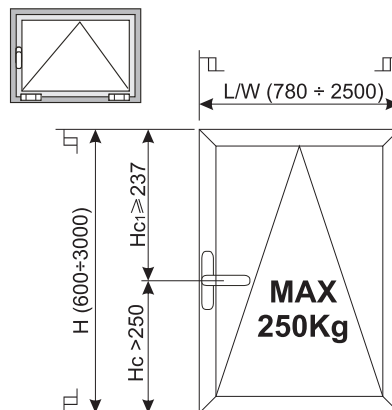
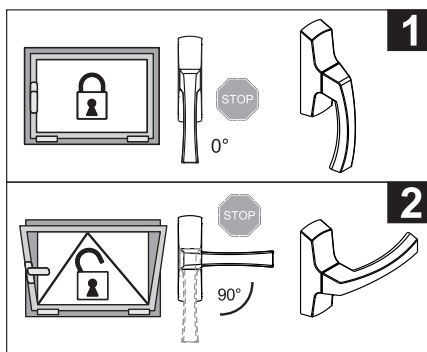
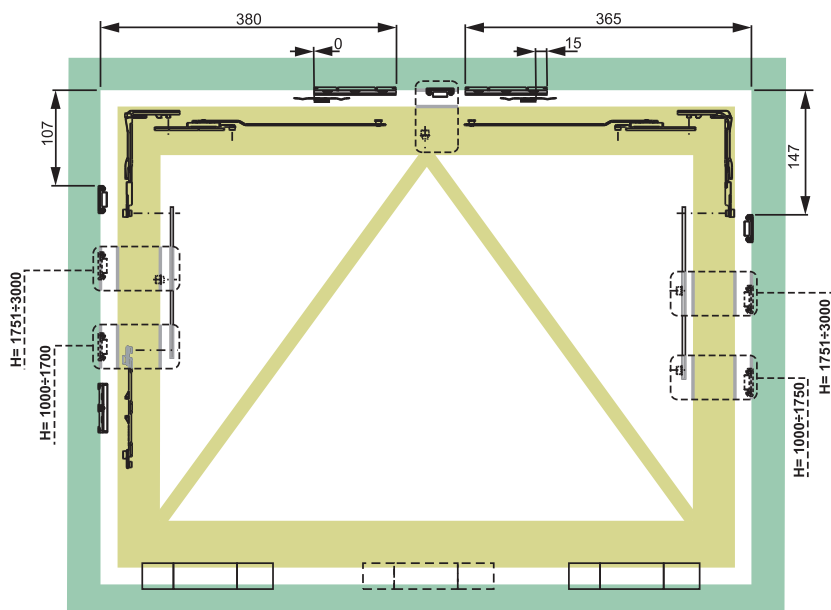
- 0° mechanism - closed bottom-hung window
- 90° mechanism - open bottom-hung window

Making a HP bottom-hung window requires:

- Bottom-hung window kit
- Bottom-hung window hinges (CHIC VASISTAS, BRIDGE 2)
- Cremone with 90° block (ASIA, KORA, PRIMA, EURO)



FUTURA HP BOTTOM-HUNG WINDOW





HP BOTTOM-HUNG WINDOW KIT

Functions

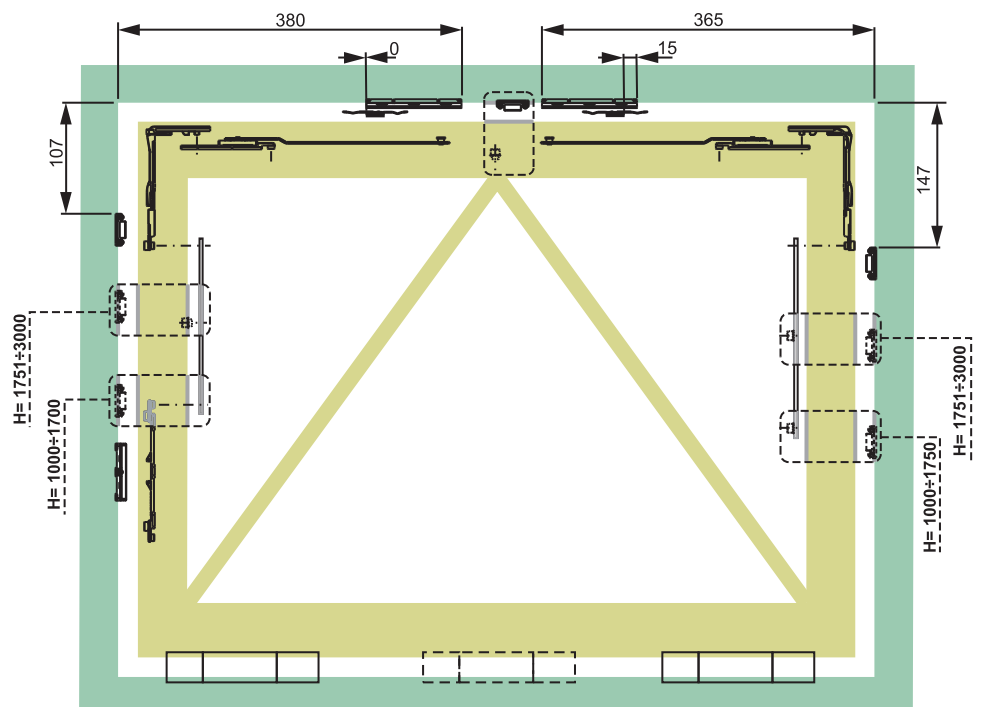
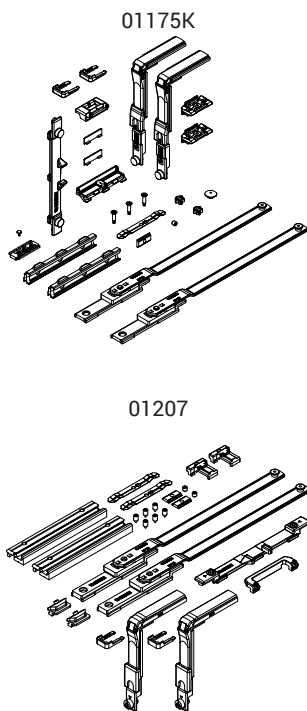
Hardware kit for the construction of bottom-hung windows with capacities up to 250 kg and perimetral closing.

Online data sheet



Technical Features

The bottom-hung window requires a one-way cremone or a window handle, with or without a key, to which the 90° locking component (art. 02235) must be added.



Item code	Description	PROFILE CROSS - SECTION	Bottom-hung window range [mm]	Base raw	Anodised Elox	Painted	Trend/Gold Brass	Pieces per pack
01175K	FUTURA HORIZONTAL SECURITY SASH MECHANISM	C001-C002-C003-C004-C005-C006	W 780 ÷ 2500 H 600 ÷ 3000	X				10
01207	FUTURA HORIZONTAL SECURITY SASH MECHANISM	C007	W 780 ÷ 2500 H 600 ÷ 3000	X				10

HP BOTTOM-HUNG WINDOW CREMONE



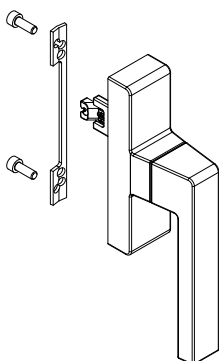
Functions

Cremone usually used on tilt-and-turn window. For use on HP BOTTOM-HUNG WINDOW, it must be equipped with a mechanical block to be inserted inside, which limits its 90° rotation.

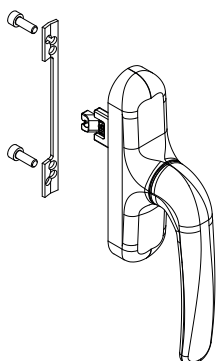
Online data sheet



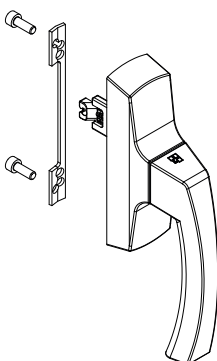
00959



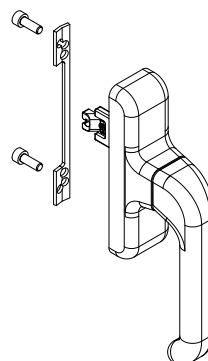
01039



01084



01094



02235



Item code	Description	PROFILE CROSS - SECTION	C/C distances	Operation	Base Raw	Anodised Elox	Painted	Trend/Gold Brass	Pieces per pack
00959	KORA T/T MICRO-VENTILATION CREMONE	C001-C002-C003-C004-C005-C006-C007-C008-C009-C010-C012-C013-C014-C015-C016-C017	104 - 98 - 92 - 84	one-way	X		X	X	10
01039	PRIMA CREMONE	C001-C002-C003-C004-C005-C006-C007-C008-C009-C010-C012-C013-C014-C015-C016-C017	104 - 98 - 84	one-way	X		X	X	10
01084	KORA CREMONE	C001-C002-C003-C004-C005-C006-C007-C008-C009-C010-C012-C013-C014-C015-C016-C017	104 - 98 - 92 - 84	one-way	X		X	X	10
01094	EURO 900 MICRO CREMONE	C001-C002-C003-C004-C005-C006-C012-C013-C014-C015-C016-C017	104 - 98 - 84	one-way	X		X	X	10

Item code	Description	PROFILE CROSS - SECTION	Base Raw	Anodised Elox	Painted	Trend/Gold Brass	Pieces per pack
02235	90° CREMONE STOP BLOCK	-	X				100

HP BOTTOM-HUNG WINDOW HINGES

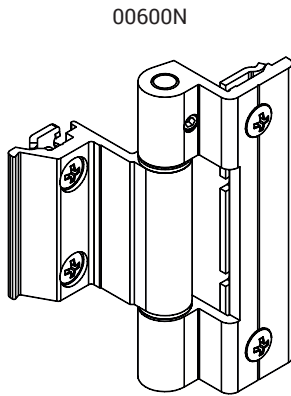


Functions

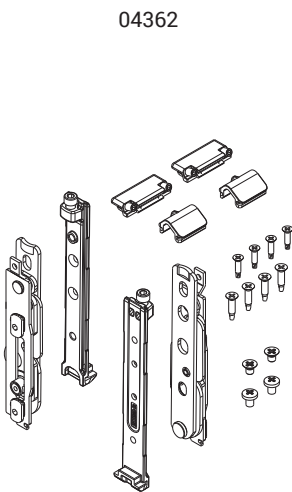
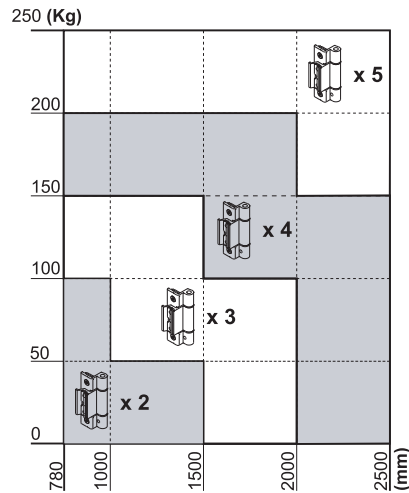
Based on the need for visible or concealed hinges, Bridge and Chic Vasistas hinges are available.

In both cases, in combination with the HP bottom-hung window kit, it is possible to make casements weighing up to 250 kg.

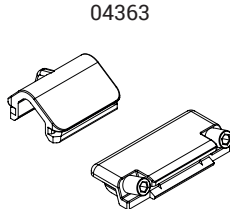
Online data sheet



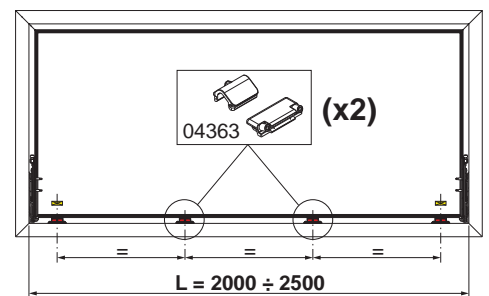
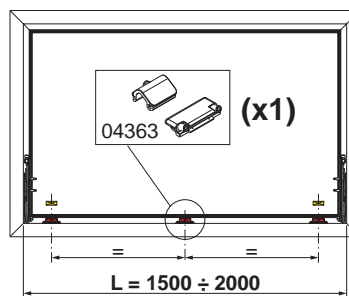
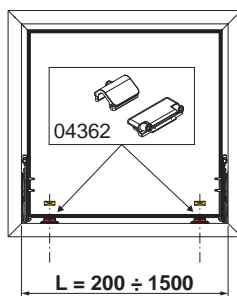
00600N



04362



04363



Item code	Description	PROFILE CROSS - SECTION	Base Raw	Anodised Elox	Painted	Trend/Gold Brass	Pieces per pack
00600N	BRIDGE 2 HINGE	C001-C002	X	X	X	X	20
00602N	BRIDGE 2 HINGE	C007	X	X	X	X	20
04362	CHIC - BOTTOM-HUNG WINDOW HINGE KIT	see Where Used	X				10
04363	CHIC - BOTTOM-HUNG WINDOW RAISING COMPONENT		X				10

HP BOTTOM-HUNG WINDOW ADDITIONAL FASTENING MECHANISMS



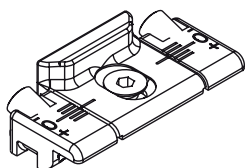
Functions

Additional hardware to be used according to the size of the sash.

Online data sheet



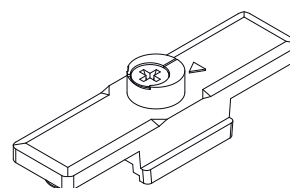
01347



04027K



04048



Item code	Description	PROFILE CROSS - SECTION	H (mm)	Base Raw	Anodised Elox	Painted	Trend/Gold Brass	Pieces per pack
01347K	CLOSING STRIKER	C001-C002-C003-C005-C011-C013-C014-C015-C016-C017-P001-P002-P004-P005-P006-P008-P009	1201 ÷ 2500	X				200
04027K	FUTURA FIXED PAWL	C001-C002-C003-C005-C006-C013-C014-C015-C016-C017-P001-P002-P003-P004-P005-P006-P008-P009-P010		X				200
04048	FIXED CONNECTION JOINT MX-MX	C007	1201 ÷ 2500	X				100