

HINGES FOR BOTTOM-HUNG WINDOWS

Functions

Hinge for bottom-hung windows, fast assembly and secure fixing.
Enables opening a bottom-hung window without any hinges being exposed to view.

Technical Features

It is fixed with cams and plates and requires no adaptation or modification of seals for assembly.

Enables bottom-hung opening of the sash to an angle of 32°.

Given its application and operation internally of the groove, bottom hung window fixtures can be assembled without any hinges exposed to view.

Materials

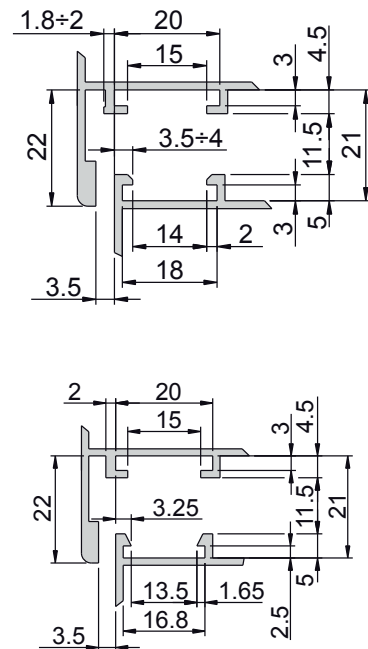
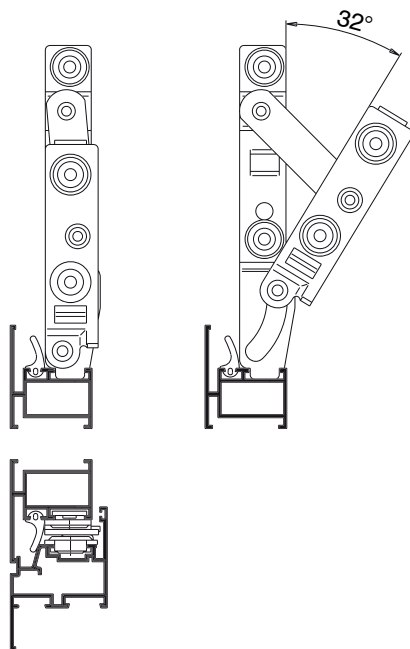
Hinge and plates of zinc-nickel plated steel
Stainless steel plates
Screws and long plates of zinc-nickel plated steel

Parts

8 TSP M5x8 screws
4 threaded cam plates
2 long threaded plates

Capacities

with 2 hinges:
20 kg assuming fixtures of maximum height 700 mm
Minimum height 170 mm



Item code	Description	Note	PROFILE CROSS - SECTION	Base Raw	Anodised Elox	Painted	Trend/Gold Brass	Pieces per pack
0205101	HINGES FOR BOTTOM-HUNG WINDOWS	pair	C001-C002	X				10

