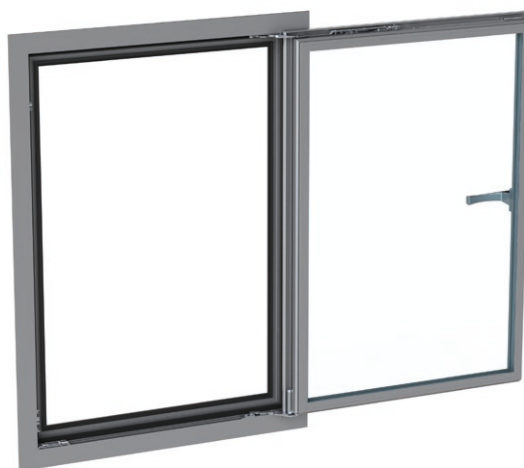


CHIC 3D 130

Functions

Complete system for the construction of concealed tilt-and-turn windows with load capacities of up to 130 kg and with 180° sash opening. Available in the standard, logic and micro-ventilation versions.



CHIC 130

Technical Features

Making a CHIC 3D 130 Tilt-and-Turn mechanism requires:

1. Set of hinges + arms
2. Set of mechanisms for cremones, window handles and NP SUPRA window handles
3. Cremone, window handle or NP SUPRA window handle (available in different models to choose from in the specific catalogue section)

Adjustments

The adjustments are micrometric and independent.

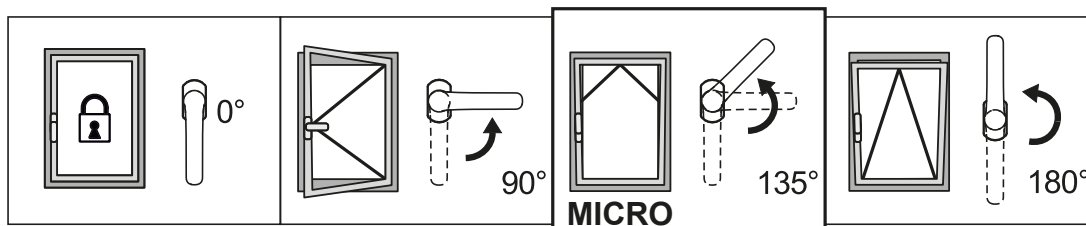
Standard microventilation

Micro-ventilation enables having simultaneously both the tilt-and-turn position and micro-ventilation (precision opening of the sash) on the casement, for better air exchange.

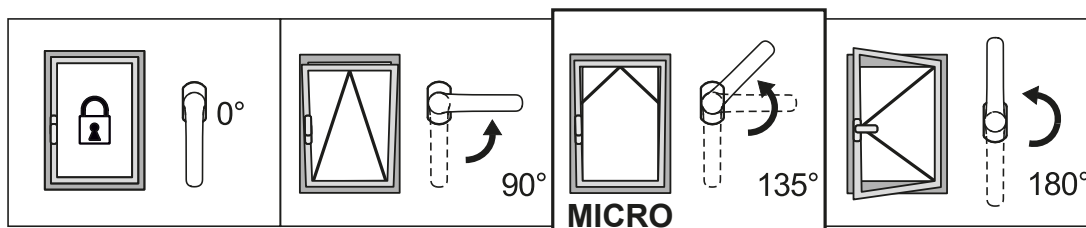
Logica

The logical operation consists in first tilt-and-turn opening (with the cremone at 90°) and secondly side-hung opening (with the cremone at 180°). Its use is particularly recommended in public buildings (schools, hospitals, etc.) in combination with a cremone with a key in order to have only tilt-and-turn window opening for safety reasons and to allow full opening only for staff with the key.

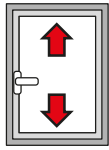
Production micro-ventilation with standard opening



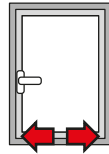
Production micro-ventilation with Logica opening



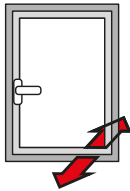
ADJUSTMENTS [mm]



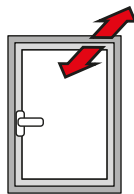
Height:
+2.5 / -1



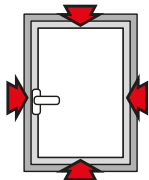
Side:
±1.5



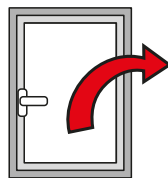
Bottom hinge compression:
+1.4 / -0.6



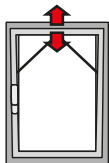
Top hinge compression:
±1.5



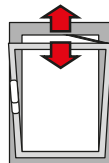
Striker compression:
±1.8



Sash fall:
+3.5 / -1.5



Micro-ventilation:
+3.6 / -1.8



T2 arm opening:
148 ÷ 178

Table of maximum glass thickness [mm]

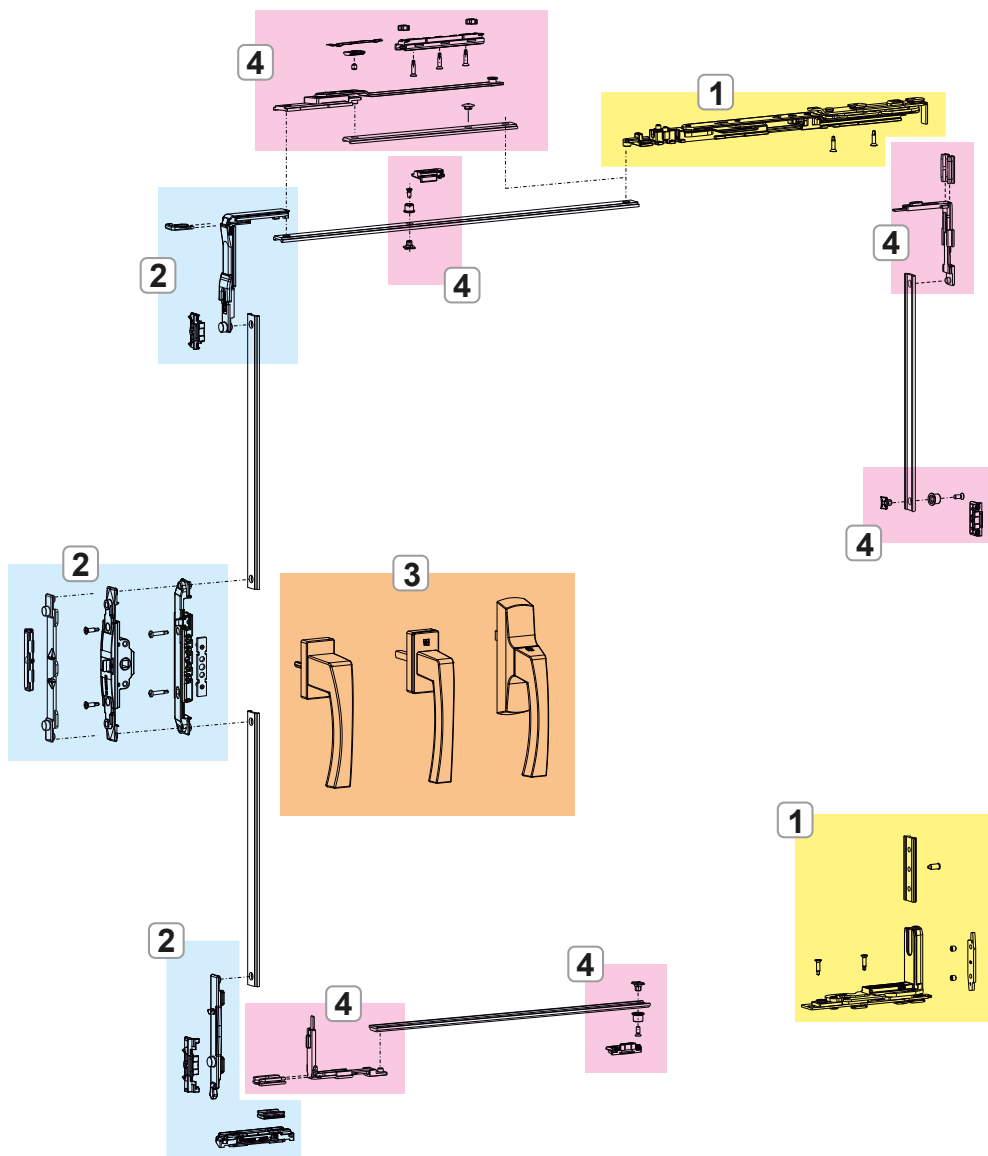
2800	35	29	25	22	19	17	16	14	13	12	12	
2700	37	31	26	23	20	18	17	15	14	13	12	
2600	39	32	28	24	21	19	18	16	15	14	13	12
2500	43	35	30	27	24	21	19	18	16	15	14	13
2400	43	35	30	27	24	21	19	18	16	15	14	13
2300	44	37	32	28	25	22	20	18	17	16	15	14
2200	46	39	33	29	26	23	21	19	18	17	15	14
2100	49	40	35	30	27	24	22	20	19	17	16	15
2000	51	43	36	32	28	26	23	21	20	18	17	16
1900	54	45	38	34	30	27	24	22	21	19	18	17
1800	57	47	40	35	31	28	26	24	22	20	19	18
1700	60	50	43	38	33	30	27	25	23	21	20	18
1600	60	53	46	40	35	32	29	27	25	23	21	18
1500	60	57	49	43	38	34	31	28	26	24	21	18
1400	60	60	52	46	40	36	33	30	28	24	21	18
1300	60	60	56	49	44	39	36	33	28	24	21	18
1200	60	60	60	53	47	43	39	33	28	24	21	
1100	60	60	60	58	52	46	39	33	28	24		
1000	60	60	60	60	57	47	39	33	28			
900	60	60	60	60	58	47	39	33				
800	60	60	60	60	58	47	39					
700	60	60	60	60	58	47						
600	500	600	700	800	900	1000	1100	1200	1300	1400	1500	1600
470												

Table of maximum load capacity [kg]

2800	124	124	124	124	124	124	124	124	124	124	124	
2700	126	126	126	126	126	126	126	126	126	126	126	
2600	128	128	128	128	128	128	128	128	128	128	128	128
2500	130	130	130	130	130	130	130	130	130	130	130	130
2400	130	130	130	130	130	130	130	130	130	130	130	130
2300	130	130	130	130	130	130	130	130	130	130	130	130
2200	130	130	130	130	130	130	130	130	130	130	130	130
2100	130	130	130	130	130	130	130	130	130	130	130	130
2000	130	130	130	130	130	130	130	130	130	130	130	130
1900	130	130	130	130	130	130	130	130	130	130	130	130
1800	130	130	130	130	130	130	130	130	130	130	130	130
1700	130	130	130	130	130	130	130	130	130	130	130	127
1600	130	130	130	130	130	130	130	130	130	130	127	119
1500	130	130	130	130	130	130	130	130	130	128	119	112
1400	130	130	130	130	130	130	130	130	129	119	111	104
1300	130	130	130	130	130	130	130	129	119	111	103	97
1200	130	130	130	130	130	130	130	119	110	102	95	
1100	130	130	130	130	130	130	119	109	101	94		
1000	130	130	130	130	130	119	108	99	92			
900	130	130	130	130	119	107	98	90				
800	130	130	130	119	106	95	87					
700	130	130	119	104	93	84						
600	500	600	700	800	900	1000	1100	1200	1300	1400	1500	1600
470												

CHIC 130

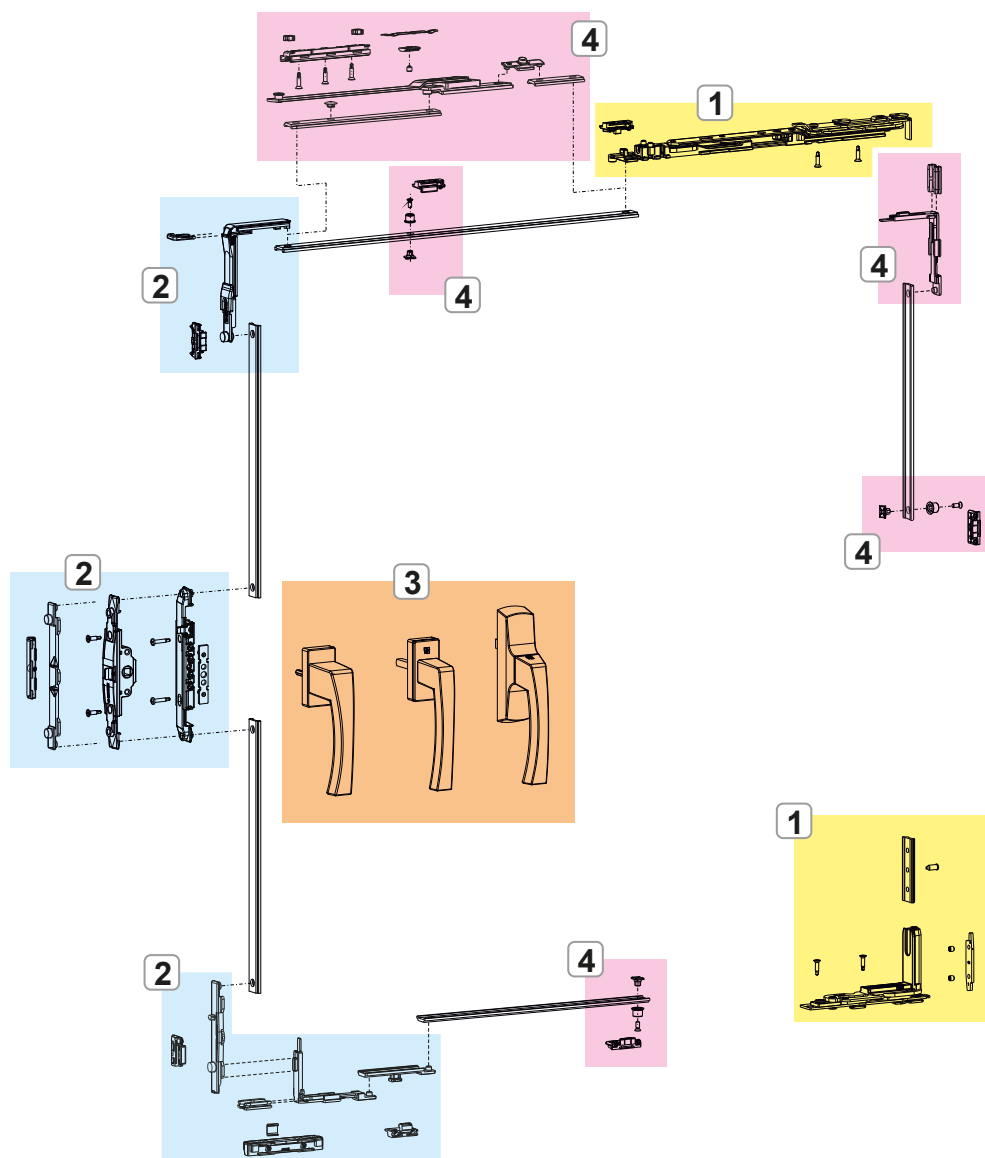
CHIC 3D 130 standard



- 1. CHIC 3D 130 HINGES AND ARMS
- 2. CHIC 3D 130 FASTENING MECHANISMS
- 3. NP SUPRA CREMONES, WINDOW HANDLES AND MECHANISMS
- 4. CHIC 3D 130 ADDITIONAL FASTENING MECHANISMS AND HARDWARE

CHIC 130

CHIC 3D 130 logica



1. CHIC 3D 130 HINGES AND ARMS
2. CHIC 3D 130 FASTENING MECHANISMS
3. NP SUPRA CREMONES, WINDOW HANDLES AND MECHANISMS
4. CHIC 3D 130 ADDITIONAL FASTENING MECHANISMS AND HARDWARE

CHIC 3D 130 HINGES AND ARMS

Functions

Set of hinges (top and bottom), completely pre-assembled and ready to be installed on the profile.

Technical Features

They enable tilt-and-turn opening combined with the mechanisms.

Micro-ventilation and logica versions.

The arm is equipped with micro-ventilation as standard (adjustable).

Moving the fastening pawl takes the arm from conventional to logica.

The T2 arm is adjustable: the opening "A" goes from 178 mm (base) to 148 mm.

Materials

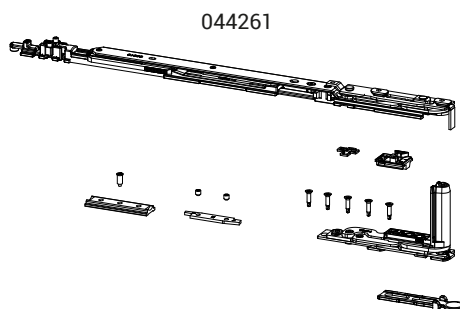
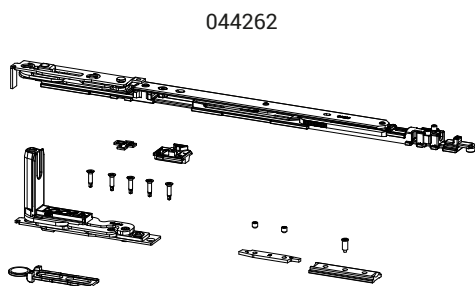
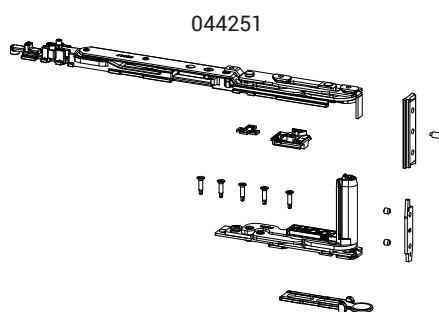
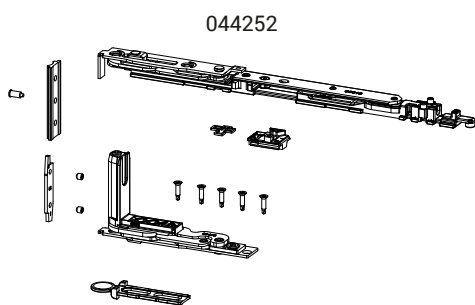
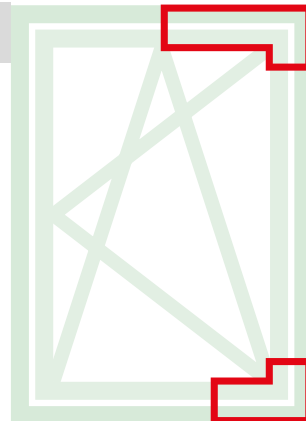
Corner support made of zamak

Connecting brackets and hinge plates made of zinc plated steel

Pins made of 304 grade stainless steel and aluminium bronze

Cams made of zinc plated steel

Connecting bracket and arm rod made of 304 grade stainless steel



Item code	Description	PROFILE CROSS - SECTION	Range (mm)	Version	A (mm)	Hand	Base Raw	Anodised Elox	Painted	Trend/Gold Brass	Pieces per pack
044251	CHIC - T1 ARM T&T KIT	C001-C002-C003-C004-C005-C006	L 470 ÷ 700	Micro	98	RX	X				10
044252	CHIC - T1 ARM T&T KIT	C001-C002-C003-C004-C005-C006	L 470 ÷ 700	Micro	98	LX	X				10
044261	CHIC - T2 ARM T&T KIT	C001-C002-C003-C004-C005-C006	L 600 ÷ 1600	Micro	148÷178	RX	X				10
044262	CHIC - T2 ARM T&T KIT	C001-C002-C003-C004-C005-C006	L 600 ÷ 1600	Micro	148÷178	LX	X				10

CHIC 3D 130 FASTENING MECHANISMS

Functions

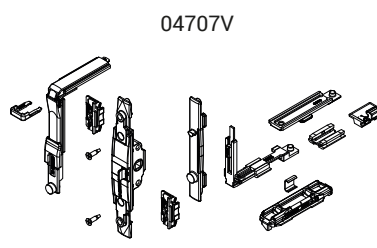
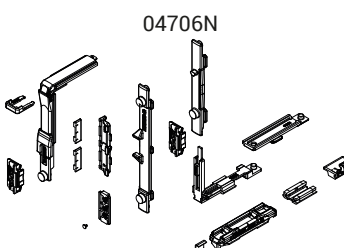
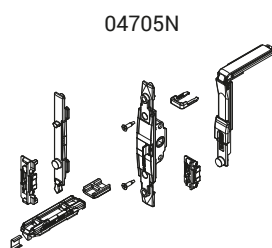
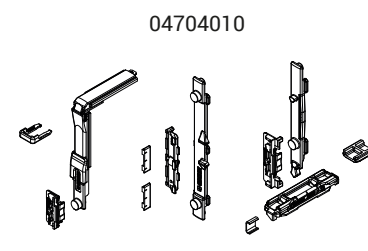
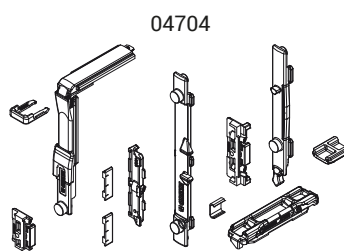
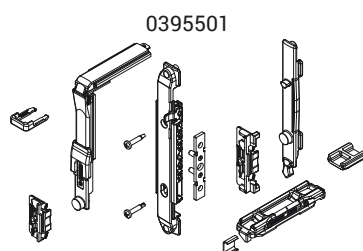
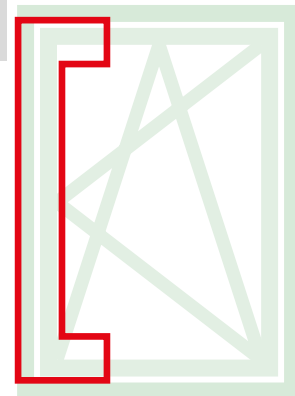
Tilt-and-Turn fastening mechanisms for cremone, window handle and NP SUPRA window handle, available in the Standard and Logica versions.

Materials

Drive, drive rod, mechanism bolt tip and strikers in zamak with GS Silver Plus finish (up to 500 h of corrosion resistance).

Screws and grub screws in stainless steel.

Polyamide raiser.



Item code	Description	PROFILE CROSS - SECTION	Window handle	Version	Base Raw	Anodised Elox	Painted	Trend/Gold Brass	Pieces per pack
0395501	T/T FASTENING MECHANISM	C001-C002-C004-C005-C006-C013-C014-C015-C016-C017	NP SUPRA	-	X				10
04704	T/T FASTENING MECHANISM	C001-C002-C004-C005-C006-C013-C014-C015-C016-C017	Cremone	-	X				10
04704010	T/T FASTENING MECHANISM	C003	Cremone	-	X				10
04705N	T/T M 180 FASTENING MECHANISM	C001-C002-C004-C005-C006-C013-C014-C015-C016-C017	Window handle	-	X				10
04706N	T/T LOGICA FASTENING MECHANISM	C001-C002-C004-C005-C006-C013-C014-C015-C016-C017	Cremone	Logica	X				10
04707V	T/T M 180 LOGICA FASTENING MECHANISM	C001-C002-C004-C005-C006-C013-C014-C015-C016-C017	Window handle	Logica	X				10

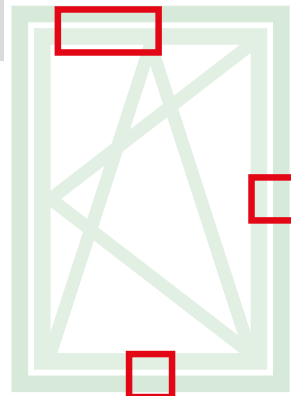
CHIC 3D 130 ADDITIONAL FASTENING MECHANISMS AND HARDWARE

Functions

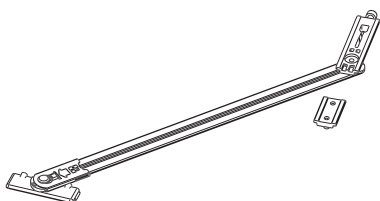
The additional fasteners make it possible to add further fastening elements that either increase the dimensions of the casement or that can be used when locking points are needed on the cross beams or hinge-side upright.

Technical Features

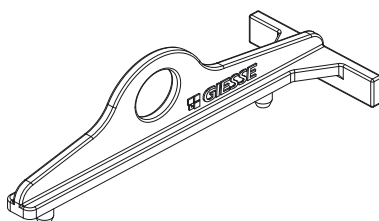
On the basis of the dimensions of the casement, additional fasteners (for $H > 1200$ mm and $W > 1000$ mm) and the additional arm (which is mandatory for $W > 1000$ mm) are to be used in combination with this mechanism.



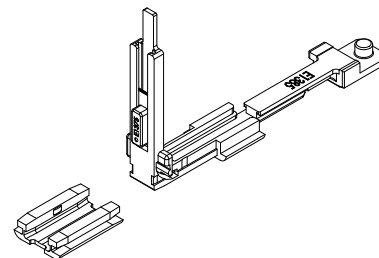
02030K



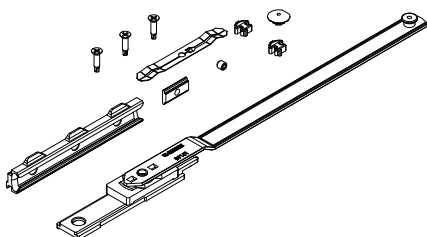
03535



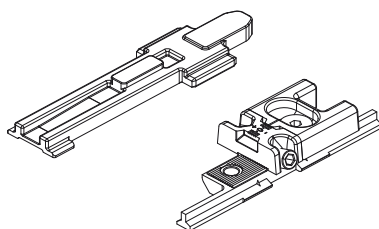
04024K



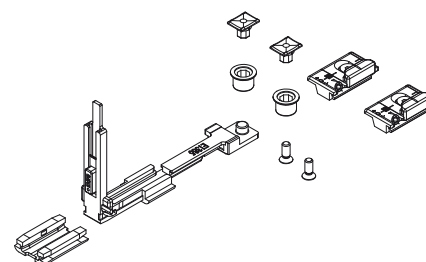
04301K



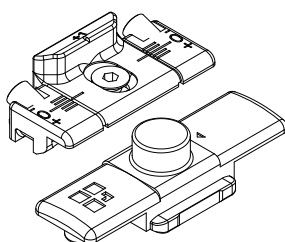
04357



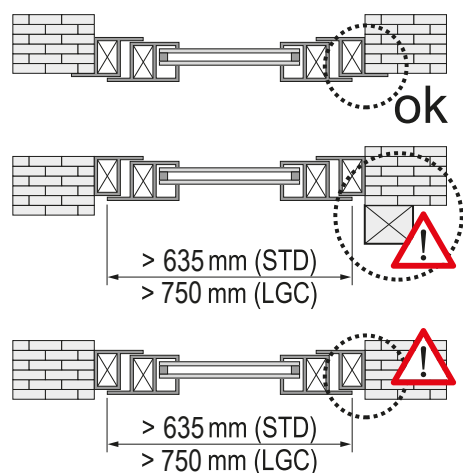
04770K



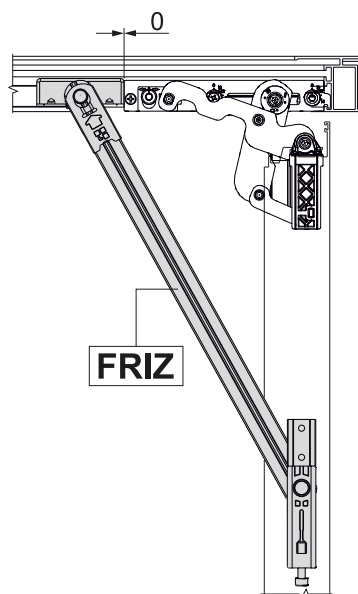
04777K



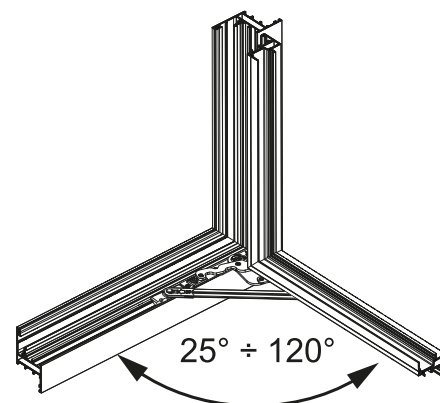
Mandatory to use the FRIZ arm



FRIZ arm positioning



Opening angle with FRIZ arm



Item code	Description	PROFILE CROSS - SECTION	Range (mm)	Version	Base Raw	Anodised Elox	Painted	Trend/Gold Brass	Pieces per pack
02030K	FRIZ STAY LIMITATION ARM	C001-C002-C004-C011-C012-C013-C014-C015-C016-C017	See picture	-	X				10
03535	CHIC - TEMPLATE FOR TILT-AND-TURN	C001-C002-C003-C004-C005-C006	-	-	X				10
04024K	CORNER DRIVE FOR FUTURA BURGLAR-PROOF FUNCTION	C001-C002-C003-C004-C005-C006-C013-C014-C015-C016-C017	-	-	X				10
04301K	T/T FUTURA ADDITIONAL ARM	C001-C002-C003-C004-C005-C006	W > 1000	-	X				5
04357	CHIC - ARM ADDITIONAL FASTENING MECHANISM	C001-C002-C003-C004-C005-C006	-	-	X				10
04770K	FUTURA ADDITIONAL FASTENING MECHANISM	C001-C002-C003-C004-C005-C006-C013-C014-C015-C016-C017	H > 1200 L > 1000	-	X				10
04777K	FUTURA ADDITIONAL FASTENING MECHANISM	C001-C002-C003-C004-C005-C006-C013-C014-C015-C016-C017	H > 1200 L > 1000	Logica	X				50

SECONDARY SASH HINGE SET FOR CHIC 3D 130

Functions

Set of hinges (top and bottom) for side-hung or secondary sash with tilt-and-turn CHIC 3D 130.

Technical Features

Sash opening to 180°.

Maximum load capacity 130 kg.

Assembly is simple, fast and easy using the special pre-assembled cams.

When there is an additional fastening mechanism, you need to use the CHIC fastening element.

Both hinges are adjustable (3D).

If opening is obstructed, you need to use the FRIZ limitation arm.

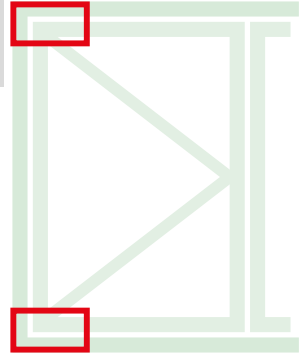
Materials

Corner support made of zamak

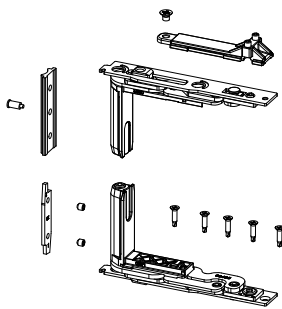
Connecting brackets and hinge plates made of zinc plated steel

Pins made of 304 grade stainless steel and aluminium bronze

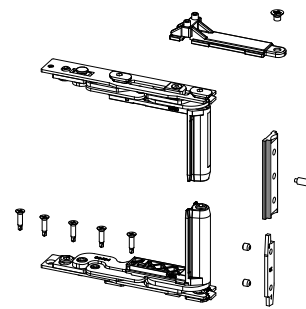
Cams made of zinc plated steel



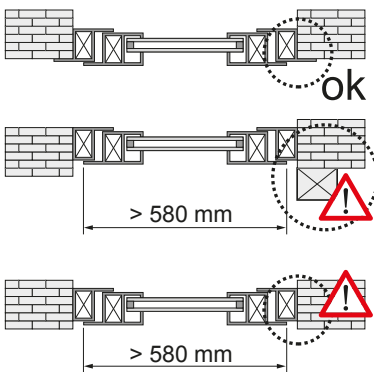
044242



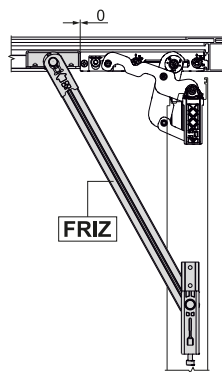
044241



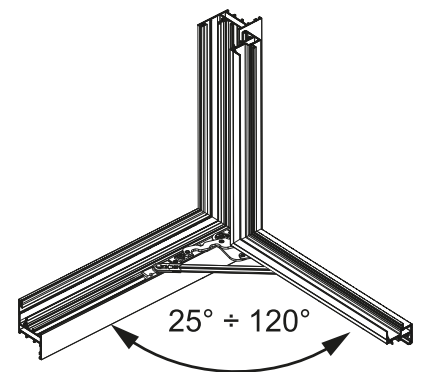
Mandatory to use the FRIZ arm



FRIZ arm positioning



Opening angle with FRIZ arm



Item code	Description	PROFILE CROSS - SECTION	Hand	Base Raw	Anodised Elox	Painted	Trend/Gold Brass	Pieces per pack
044241	CHIC - SASH HINGE SET	C001-C002-C003-C004-C005-C006	RX	X				10
044242	CHIC - SASH HINGE SET	C001-C002-C003-C004-C005-C006	LX	X				10