

2-STAR SKG - SIDE-HUNG SYSTEMS



**Functions**

Giesse offers for single and double sash windows a complete burglar-proof closing system with SKG\*\* certification issued by IKOB SKG (Netherlands). The use of premium materials (such as microcast steel) is essential for strengthening the components and connection devices and ensures the closing system is designed to withstand attempted burglaries and direct attacks.

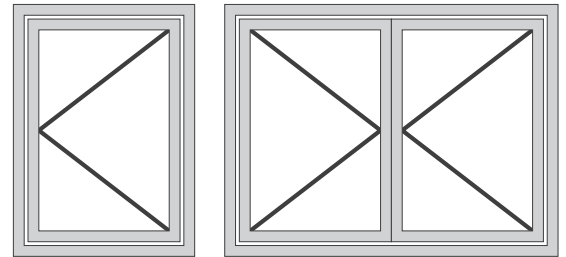
**Technical Features**

As it is a system which requires locking points on all sides, the tilt-and-turn arms must be used to allow the application of burglar-proof fastening mechanisms to the hinge side.

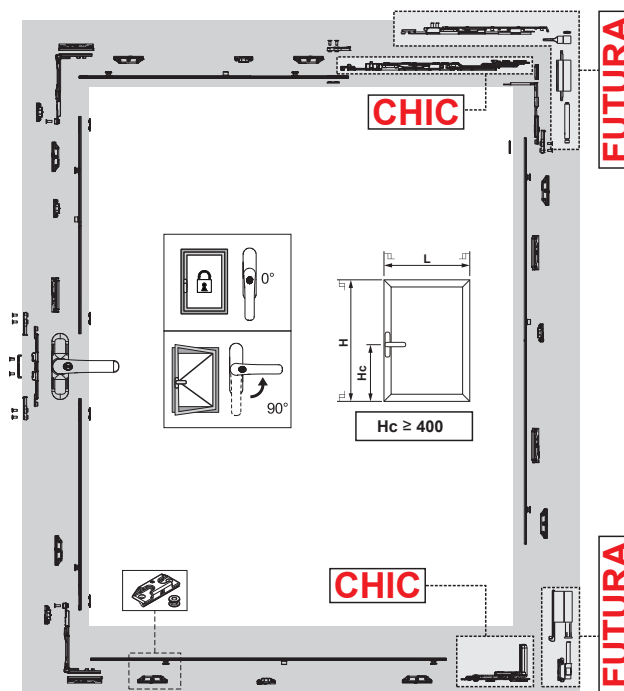
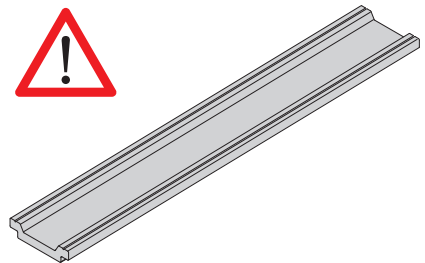
The SKG\*\* system consists of:

- Mechanism - SKG\*\* Cremone with key
- SKG\*\* Side-Hung mechanism
- Arms and TILT-AND-TURN hinges - CHIC or FUTURA
- SKG\*\* Burglar-proof fastening mechanism components

The combination of these components in line with variations in the sash dimensions ensures that the Giesse closing system is strong enough to be defined as burglar-proof, with RC2 classification in accordance with EN1627. System certification in accordance with EN1627, however, corresponds to the whole casement: hardware, profile, glass, wall fixings, etc.



The rods used with the SKG certified closing system must be made using Aluminium.



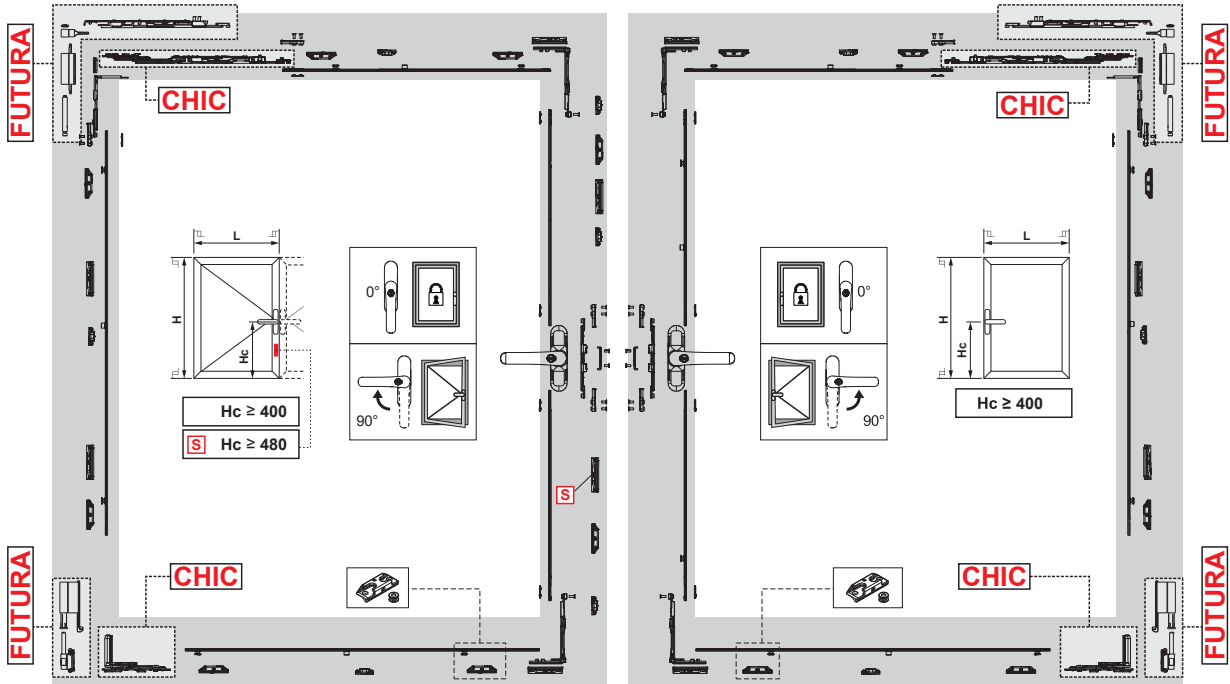
Single CHIC side-hung window - Configuration with 1000x1500 mm sash (LxH)

Quantity	Item code	Description
1	0108501 - 0119102 - 00960	Cremone
1	04005	Side-Hung window kit
8	04000	Burglar-proof fastening mechanism
1	043561 - 043562	CHIC - Tilt-and-Turn window kit, T2 arm (RH or LH)

Single FUTURA side-hung window - Configuration with 1000x1500 mm sash (LxH)

Quantity	Item code	Description
1	0108501 - 0119102 - 00960	Cremone
1	04005	Side-Hung window kit
8	04000	Burglar-proof fastening mechanism
1	04285	T2 arm 130
1	04711	Tilt-and-Turn window hinge





Double CHIC side-hung window - Configuration with 1000x1500 mm sash (LxH)

Quantity	Item code	Description
2	0108501 or 0119102 or 00960	Cremone
2	04005	Side-Hung window kit
14	04000	Burglar-proof fastening mechanism
2	043561 or 043562	CHIC - Tilt-and-Turn window kit, T2 arm (RH or LH)

Double FUTURA side-hung window - Configuration with 1000x1500 mm sash (LxH)

Quantity	Item code	Description
2	0108501 or 0119102 or 00960	Cremone
2	04005	Side-Hung window kit
14	04000	Burglar-proof fastening mechanism
2	04285	T2 arm 130
2	04711	Tilt-and-Turn window hinge

**SKG - CREMONES**

**Functions**

Reversible cremone with key lockable handle, with rotation through 90° and 180° and opening/closing positioning notch.

**Technical Features**

SKG\*\*\* certified, the cylinder makes it possible to lock the handle at 0° with a rotation and tear breaking strength greater than 100 Nm.

The cylinders of the FIRST KEY cremones have homogeneous coding, on request it is in any case possible to fulfill specific job orders with customized coding.

**Materials**

Handle in die-cast aluminium

Die-cast Zamak case, gears, racks and sliding parts

Nickel-plated brass cylinder

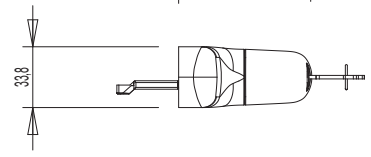
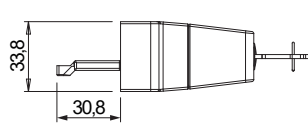
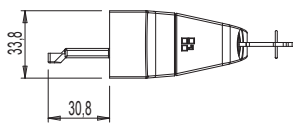
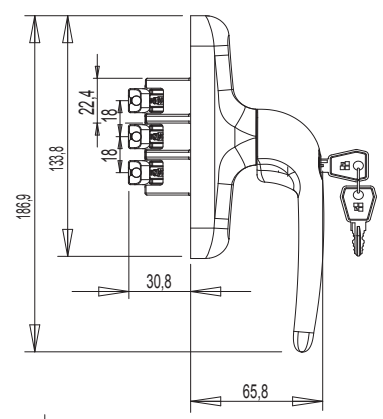
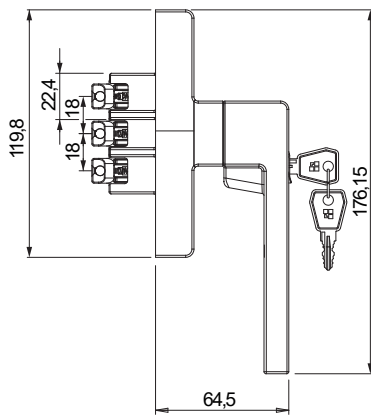
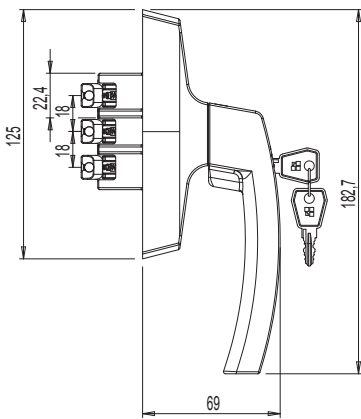
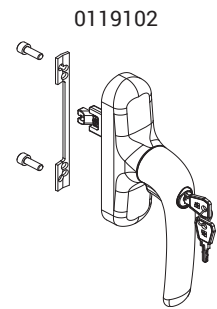
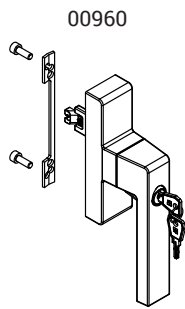
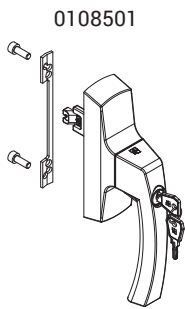
Internal sheath and Hostaform plate

Spring, screws and fixing plate in stainless steel

**Parts**

1 fixing plate

2 HSHC screws M5x14



Item code	Description	Note	Base Raw	Anodised Elox	Painted	Trend/Gold Brass	Pieces per pack
0108501	SKG ASIA KEY MICRO CREMONE		X		X		5
0119102	SKG PRIMA KEY MICRO CREMONE		X		X		5
00960	SKG KORA KEY MICRO CREMONE		X		X		5



## 2-STAR SKG - SIDE-HUNG SYSTEMS

### SKG - SIDE-HUNG WINDOW KIT

#### Functions

Side-Hung fastening mechanisms.

#### Technical Features

Perimetral closing: the 3 corner drives supplied allow closing on all sides.

In relation to a standard product, it includes strengthening components for the joints with the rod.

4 adjustable shims reduce sideways movement of the sash, increasing its resistance to burglary.

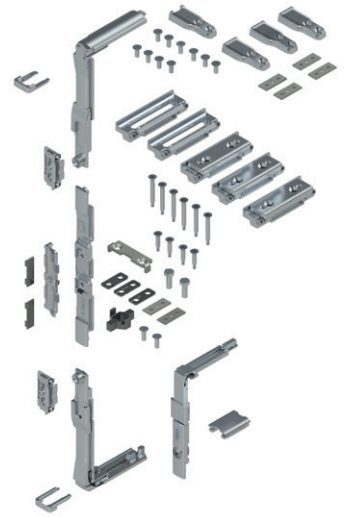
#### Materials

Corner drives, drive rod, mechanism bolt tip and strikers in zamak with GS Silver Plus finish (up to 500 h of corrosion resistance)

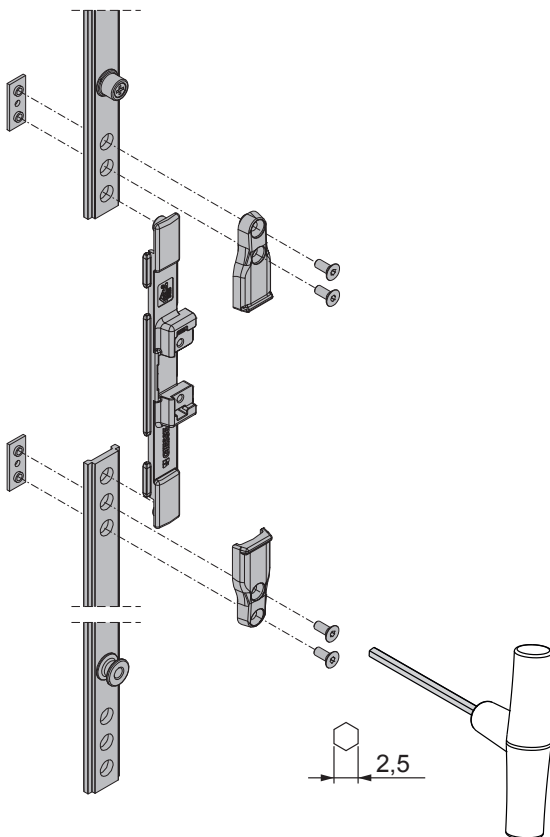
Sash/frame shimming components in GS Silver Plus zamak

Rod strengthening components in microcast steel

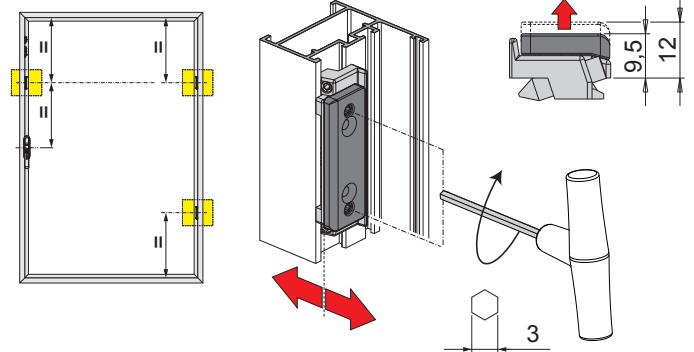
Screws and grub screws in stainless steel



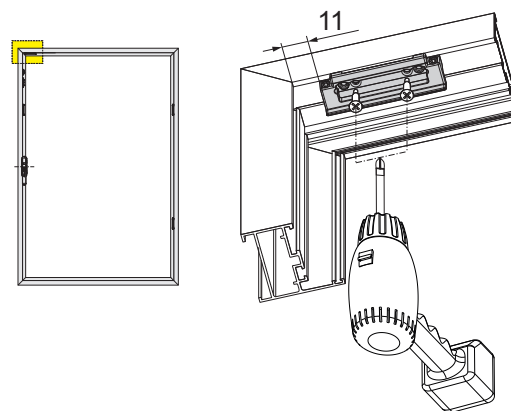
Rod strengthening components



Adjustable side shims



Top shim



Item code	Description	Note	Base Raw	Anodised Elox	Painted	Trend/Gold Brass	Pieces per pack
04005	SKG - SIDE-HUNG KIT		X				5

**2-STAR SKG - BURGLAR-PROOF FASTENING MECHANISM**

**Functions**

Specially designed device to increase resistance of the tilt-and-turn window to break-in attempts, making intrusion through the window more difficult.

**Technical Features**

Article composed of two elements: the striker to be applied to the frame and the mushroom pawl to be applied to the rod.

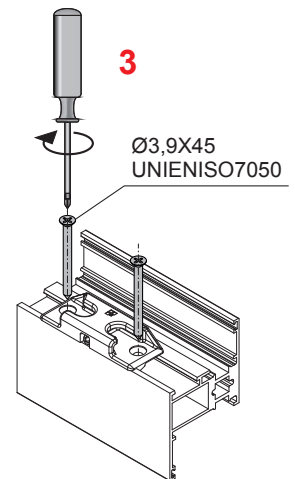
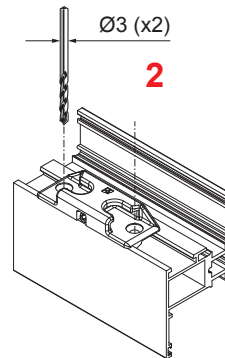
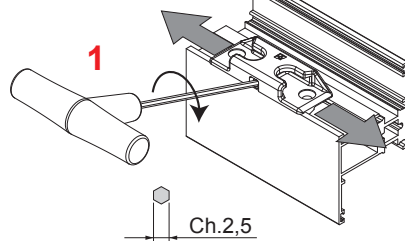
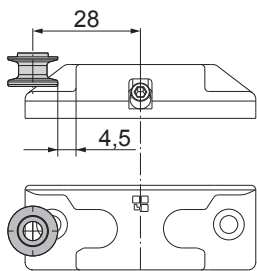
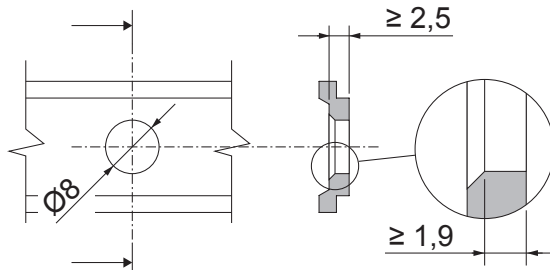
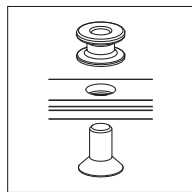
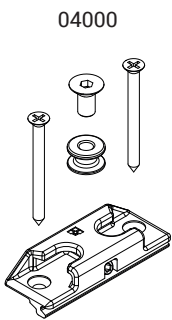
The striker is reversible and is secured to the frame by means of the pre-assembled grub screw and two self-threading screws that ensure precise, quick fixing to the frame.

The pawl is applied to the rod of the series by simply making a hole  $\varnothing 8$  mm; thanks to this solution, using the burglar-proof kit requires no changes to the cutting.

**Materials**

Striker in zamak with GS SILVER PLUS finish (over 500 hours of corrosion resistance)

Pawl and screws in stainless steel.



Item code	Description	Note	Base Raw	Anodised Elox	Painted	Trend/Gold Brass	Pieces per pack
04000	2-STAR SKG BURGLAR-PROOF FASTENING MECHANISM		X				20



## 2-STAR SKG - SIDE-HUNG SYSTEMS

### SKG - CHIC 100 SIDE-HUNG HINGES AND ARMS

#### Functions

Set of hinges (top and bottom) for side-hung or secondary sash with tilt-and-turn CHIC 3D 100.

#### Technical Features

Sash opening to 180°.

Maximum load capacity 100 kg.

Assembly is simple, fast and easy using the special pre-assembled cams.

When there is an additional fastening mechanism, you need to use the CHIC fastening element.

Both hinges are adjustable (3D).

If opening is obstructed, you need to use the FRIZ limitation arm.

**CAUTION:** This hinge is designed to be used only on inward opening casements and is not suitable for outward opening casements.

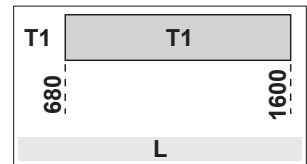
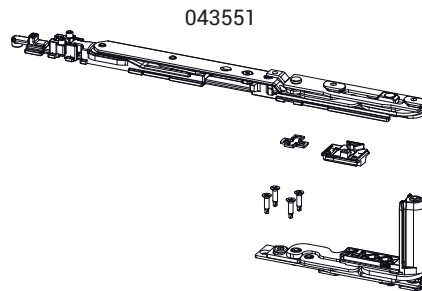
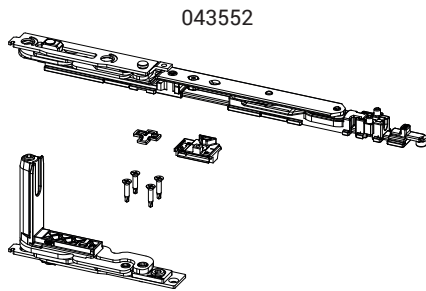
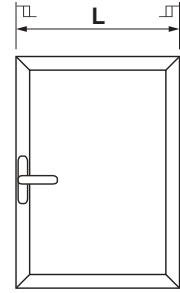
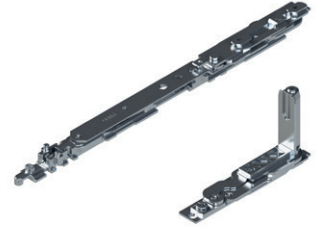
#### Materials

Corner support made of zamak

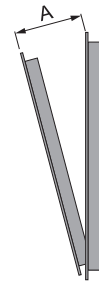
Connecting brackets and hinge plates made of zinc plated steel

Pins made of 304 grade stainless steel and aluminium bronze

Cams made of zinc plated steel



Sash opening



Item code	Description	PROFILE CROSS - SECTION	A (mm)	Hand	Base Raw	Anodised Elox	Painted	Trend/Gold Brass	Pieces per pack
043551	CHIC - T1 ARM T&T KIT	C001-C002-C003-C004-C005-C006	-	RX	X				10
043552	CHIC - T1 ARM T&T KIT	C001-C002-C003-C004-C005-C006	-	LX	X				10

**SKG - CHIC 130 SIDE-HUNG HINGES AND ARMS**

**Functions**

Set of hinges (top and bottom) for side-hung or secondary sash with tilt-and-turn CHIC 3D 130.

**Technical Features**

Sash opening to 180°.

Maximum load capacity 130 kg.

Assembly is simple, fast and easy using the special pre-assembled cams.

When there is an additional fastening mechanism, you need to use the CHIC fastening element.

Both hinges are adjustable (3D).

If opening is obstructed, you need to use the FRIZ limitation arm.

**CAUTION:** This hinge is designed to be used only on inward opening casements and is not suitable for outward opening casements.

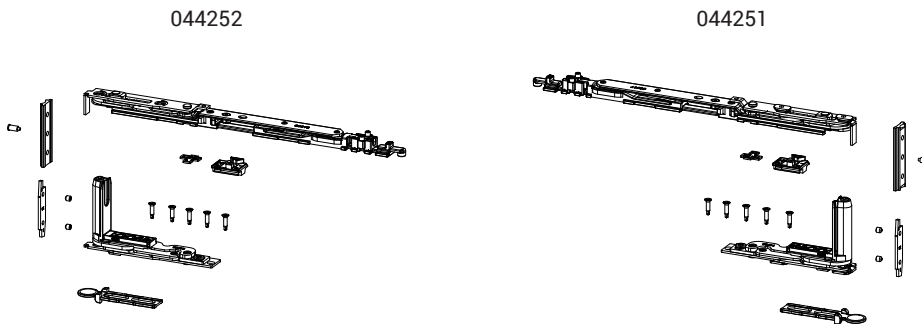
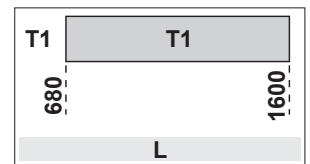
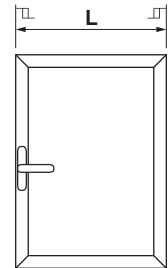
**Materials**

Corner support made of zamak

Connecting brackets and hinge plates made of zinc plated steel

Pins made of 304 grade stainless steel and aluminium bronze

Cams made of zinc plated steel



Sash opening



Item code	Description	PROFILE CROSS - SECTION	A (mm)	Hand	Base Raw	Anodised Elox	Painted	Trend/Gold Brass	Pieces per pack
044251	CHIC - T1 ARM T&T KIT	C001-C002-C003-C004-C005-C006	-	RX	X				10
044252	CHIC - T1 ARM T&T KIT	C001-C002-C003-C004-C005-C006	-	LX	X				10



## 2-STAR SKG - SIDE-HUNG SYSTEMS

### SKG - FUTURA 3D 130 HINGES AND ARMS

#### Functions

Futura 3D 130 tilt-and-turn hinge set (upper and lower) and arm.

#### Technical Features

Hinges: hinge set (upper and lower), completely pre-assembled and ready to be installed on the profile.

Arms: allow tilt-and-turn opening in conjunction with tilt-and-turn hinges and mechanisms.

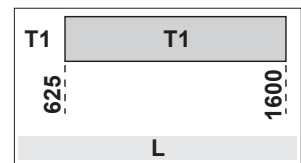
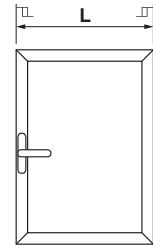
#### Materials

Hinges:

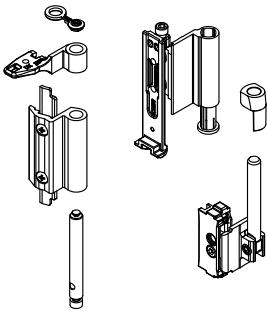
- Body of hinges in extruded aluminium and brass
- Supports in zamak with GS Silver Plus finish (up to 500 h corrosion resistance)
- Pins, screws and grub screws in stainless steel

Arms:

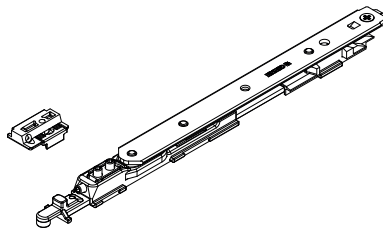
- Body, fixing block and slider in zamak with GS Silver Plus finish (up to 500 h corrosion resistance)
- Rod, connecting bracket, grub screws and screws in stainless steel
- Stop disk in polyamide



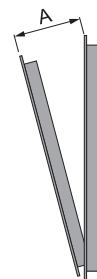
04711



04284



Sash opening



Item code	Description	PROFILE CROSS - SECTION	Base Raw	Anodised Elox	Painted	Trend/Gold Brass	Pieces per pack
04711	HINGE T/T FUTURA 130	C001-C002-C005-C006	X		X	X	10

Item code	Description	PROFILE CROSS - SECTION	A (mm)	Base Raw	Anodised Elox	Painted	Trend/Gold Brass	Pieces per pack
04284	ARM T1 130 WITH MICROVENTILATION	C001-C002-C003-C004-C005-C006-C013-C014-C015-C016-C017	120					10