



Varia Tube

THE SMALL AND POWERFUL CHAIN ACTUATORS RANGE



Contents

VARIA TUBE	3
TUBE LOCK	6

Varia Tube

Varia Tube: The latest member of Giesse chains actuators' family widens the supply of force (350N) and strokes (300, 600, 800 and 1000 mm) adapting to diverse kind of windows from outward and Bottom-Hung to dormer windows and domes.

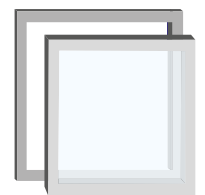
- The external case made of aluminium contributes to an elegant design, while the compact dimensions (34,6 x 37) allow surface mounting with a minimal visual impact as well as recessed mounting and into curtain walls mounting
- Smoke and heat extraction system (RWA): entirely made of metal, Varia Tube is certified under EN 12101-2 and can be used for RWA installation
- Remarkably quiet (41 dB) while maintaining high power standards. Due to accurate research, it has been possible to develop and combine an innovative gear motor with a new electronic concept of energy performance, so that the actuator gives the right power when required
- Sophisticated electronics equipped with a microprocessor allow to install the actuator in industrial as well as in domestic environments, where it can be easily connected with already existing devices to transmit 'window open / close' signal
- Syncro technology (patented) permits to connect up to 8 Varia Tube actuators together to work in perfect synchronization, without any external devices
- When combined with the electromechanical Tube Lock and perimetrical hardware, it can form a burglar-resistant system and reaching a high thermal K through the perfect closing of the window
- Easy to install thanks to rapid release support brackets and fixing brackets (patented), to self-adjusting end stroke and immediate stroke selection through dip-switches
- Reliability tested through 10,000 cycle at maximum load. The actuators undertake 100% functional test before being delivered all over the world
- MADE IN ITALY



Top-Hung



Bottom-Hung



Parallel Window

Varia Tube 230 V AC

Code	Description
07875	Varia Tube 230 V – 300
07876	Varia Tube 230 V – 600
07877	Varia Tube 230 V – 800
07878	Varia Tube 230 V – 1000
07896	Varia Tube Syncro 230 V – 300
07897	Varia Tube Syncro 230 V – 600
07898	Varia Tube Syncro 230 V – 800
07899	Varia Tube Syncro 230 V – 1000

Varia Tube RWA 24 V DC

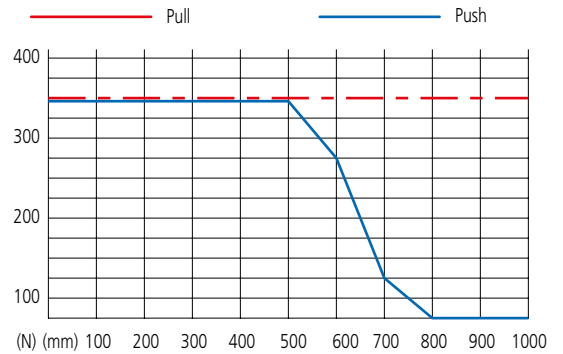
Code	Description
07804	Varia Tube RWA 24 V – 300
07805	Varia Tube RWA 24 V – 600
07806	Varia Tube RWA 24 V – 800
07807	Varia Tube RWA 24 V – 1000
07815	Varia Tube RWA Syncro 24 V – 300
07816	Varia Tube RWA Syncro 24 V – 600
07817	Varia Tube RWA Syncro 24 V – 800
07818	Varia Tube RWA Syncro 24 V – 1000

Varia Tube

Technical data

- Power control over the entire stroke (stop in case of overload)
- Progressive starting (Soft start) and closing (Soft stop)
- Stroke end: electronic opening stroke-end with variable stroke that can be selected at any time using dip-switches, self-adjustment closing position and automatic regulation to the overlap
- Relax function: relaxation of mechanical parts after each stroke-end due to stop for power absorption
- The actuator can be connected in parallel and synchronised thanks to Syncro (patented) technology in compliance with Directive 2004/108 CE (EMC) and 2006/95 CE (B.T.)
- Grey painted (RAL 9006) aluminium case provided with white cable (230V) or grey cable (24V), metallic support and fixing brackets with without screws rapid release (patented)
- Four links in two-rows chain made of stainless steel to grant high resistance to corrosion and diverse weather conditions

Table of force-stroke relation



Brackets

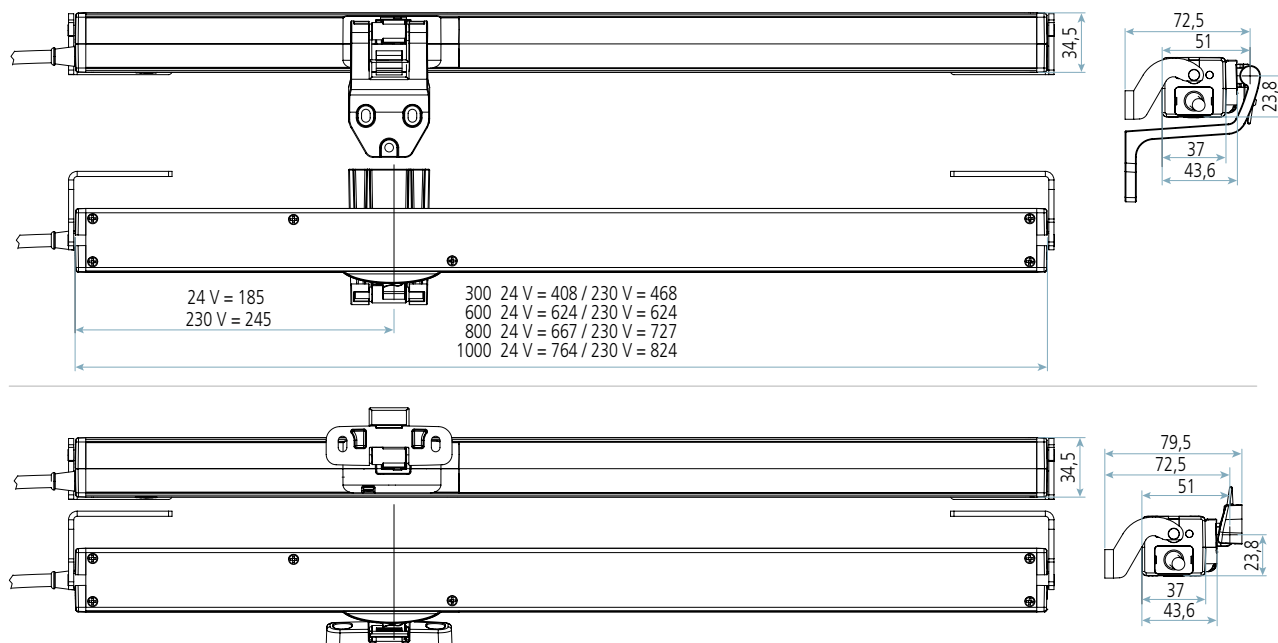


Code	Description
05921	Bottom-Hung bracket
05922	Top-Hung bracket
05923	Top-Hung horizontal bracket

Spare parts



Code	Description
05920	Frame bracket (CP)
05924	Rapix fixing clip



Varia Tube	230 V AC	24 V DC	Syncro 230 V AC	Syncro 24 V DC
Pull force			350 N	
Push force			350 N (see table of force-stroke relation)	
Variable strokes			300 (100, 175) 600 (400, 500) 800 (600, 700) 1000 (800, 900) mm	
Syncro technology (patented)			Yes	
Power supply voltage	110 ÷ 230 V AC	24 V DC	110 ÷ 230 V AC	24 V DC
Frequency	50/60 Hz	–	50/60 Hz	–
Current at nominal load	0,23 A (230V)	0,80 A	0,23 A (230V)	0,80 A
Power absorbed at nominal load	29 W	19,2 W	29 W	19,2 W
Speed		11 / 9,6 mm/s		11 / 9,6 mm/s
Stroke duration at nominal charge (open)		Stroke 300 / 600 / 800 / 1000 = 28 / 54 / 72 / 90 s		
Stroke duration at nominal charge (close)		Stroke 300 / 600 / 800 / 1000 = 36 / 67 / 88 / 109 s		
Double electrical insulation	Yes	B.T.	Yes	B.T.
Service type			S ² of 3 min	
Operating temperature			-20 °C ÷ +70 °C	
Degree of protection for electrical devices			IP32	
Soft stop / start			Yes	
Relax function			Yes	
Frame rebated overlap self-learning			Self-determination of the position	
Connection in parallel			Yes	
Power supply cable type and length		H05VV-F – 2 m		FRR / 2 – 2,5 m
Opening end stroke			Electronic through dip-switches	
Closing end stroke			At absorption of power	
Overload protection			At absorption of power	
Dimensions for 230V (strokes 300 / 600 / 800 / 1000)		34,6 x 37	L = 468 / 624 / 727 / 824 mm	
Dimensions for 24V (strokes 300 / 600 / 800 / 1000)		34,6 x 37	L = 408 / 624 / 667 / 764 mm	
Static holding force			2000 N	
Weight	0,9 / 1,4 / 1,8 / 2,2 Kg	0,8 / 1,3 / 1,7 / 2,1 Kg	0,9 / 1,4 / 1,8 / 2,2 Kg	0,8 / 1,3 / 1,7 / 2,1 Kg
Connection with Tube Lock	No	Yes	No	Yes

Data provided in these illustrations is not binding and subject to change without prior notice.

Tube Lock

Tube Lock is the electric lock specially designed to automatically open / close the multi-point locking system of Top-Hung, Bottom-Hung and parallel windows, in combination with Varia Tube 24 V chain actuators.

The presence of locking points along the perimeter of the window significantly increases its air-water-wind tightness.

Tube Lock features reduced dimensions (25×26 mm) with recessed installation inside a slot in the window frame, without visual impact.

Tube Lock is quiet and is equipped with advanced electronics.

Tube Lock works in combination with Varia Tube 24 V actuators: at the opening signal, the lock releases the locking points before the actuator starts to work, whereas it blocks the locking points once the window is brought to closing.

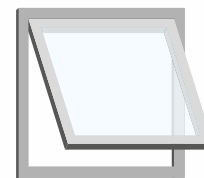
The push / pull force (600 N – 850 N at start) ensures high operational reliability even with a high number of locking points.

Plus

- Quiet and powerful
- Can be combined in parallel with up to 8 Tube Locks with Syncro units of the Varia Tube actuator range
- In compliance with Directive 2004/108 CE (EMC) and 2006/95 CE
- Tested 10,000 cycles at maximum load

Technical features

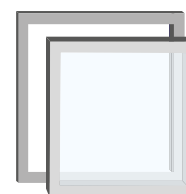
- 600 N thrust force
- Integrated electronic control of the opening / closing sequence
- Power supply voltage: 24 V DC
- Stroke selectable (18 or 36 mm) by dip switch
- Finishing: silver anodised



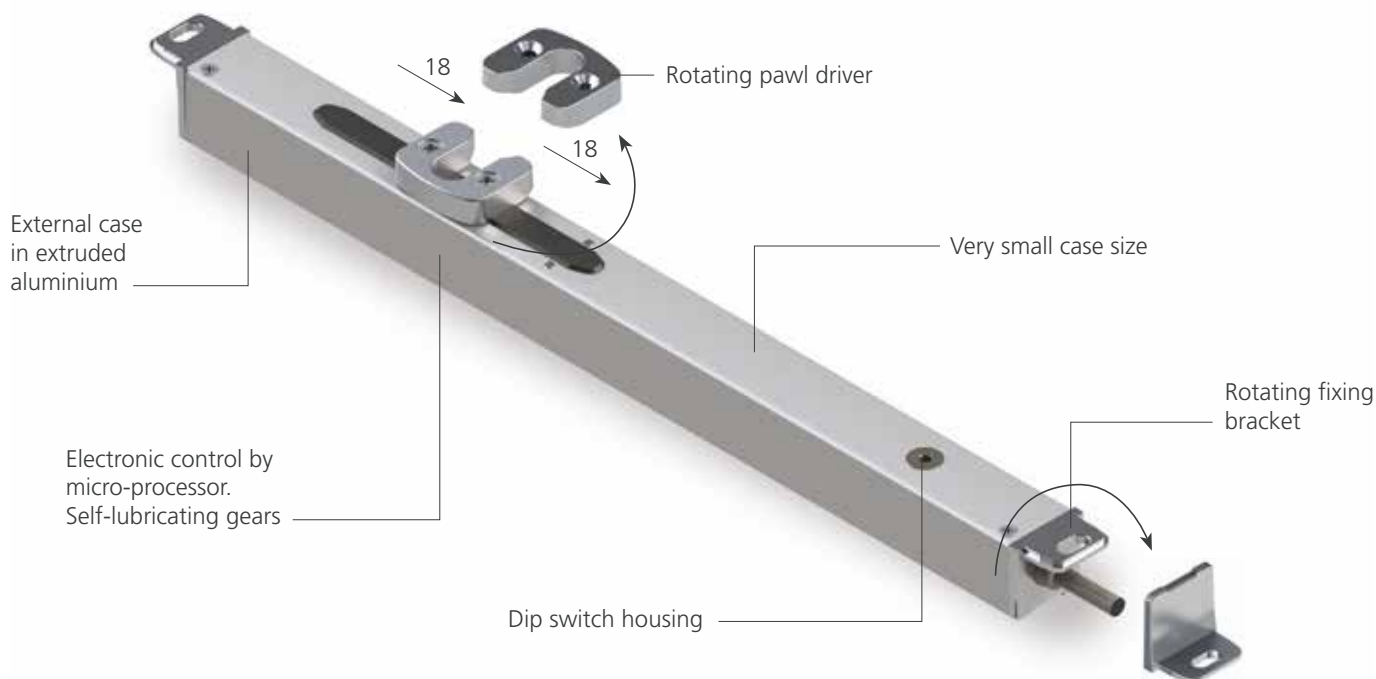
Top-Hung

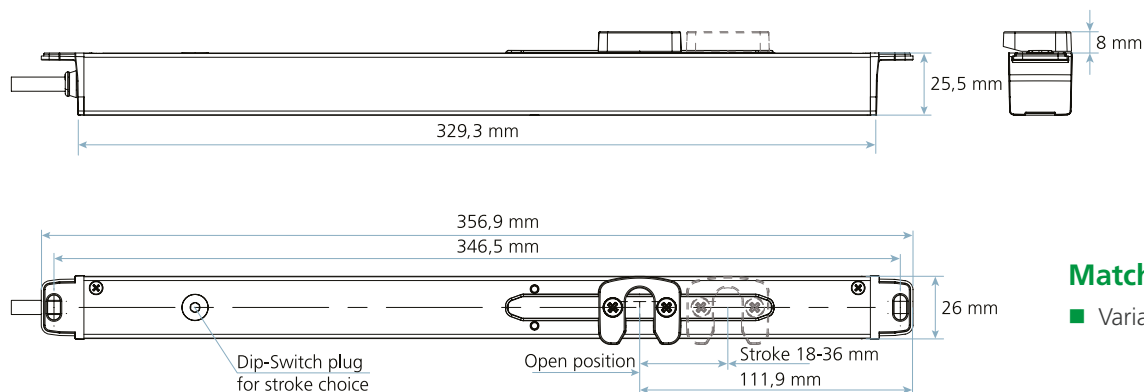


Bottom-Hung



Parallel Window





Matching actuators

- Varia Tube RWA 24 V

Tube Lock 24 V DC – item 07809

Push and pull force	600 N – 850 N at start
Stroke	18 mm / 36 mm
Power supply voltage	24 V DC (20,4 ÷ 30 V AC)
Current at nominal load	0,85 A during the opening / closing – 1,2 A for amperometric block
Power absorbed at nominal load	~ 20 W
No-load speed	5 mm/s
Maximum no-load stroke duration	4 s (18 mm) – 7.2 s (36 mm)
Double electric insulation	Very low tension
Duty rate	30%
Service	S2 – 1 minute
Case material	Aluminium alloy extrusion
Operating temperature	-20°C ÷ +70°C
Degree of protection for electrical devices	IP 40
Opening / closing stroke end	Electronically set
Operating with chain actuators	Selectable
Operating without chain actuators	Selectable
Silicone cable	3 x 0,5 mm ² – 2,00 m
Overload protection in open / close	Supply cut due to power overload
Dimensions (mm)	25,5 x 25,5 x 357
Weight (kg)	0,56
Connectable with	Varia Tube RWA 24 V DC Varia Tube RWA Syncro 24 V DC

Data provided in these illustrations is not binding and subject to change without prior notice.

ENGINEERED COMPONENTS FOR THE FENESTRATION INDUSTRY



Schlegel Sealing Systems



Giese Hardware Systems

Schlegel International



GIESSE S.p.A. – A Company of Schlegel International

Via Tubertini, 1 – 40054 Budrio (BO), Italy

Tel: +39 051 8850000 | Fax: +39 051 8850001 | Email: info.it@schlegel.com

Care has been taken to ensure that the contents of this publication are accurate, but GIESSE and its subsidiary companies do not accept responsibility for errors or for information that is found to be misleading. Suggestions for, or description of, the end use or application of products or methods of working are for information only. All dimensions are in mm and are nominal. GIESSE reserve the right to change specification without prior notice.

GIESSE's names and logos and all related trademarks (including 'GIESSE', 'GIESSE symbol', 'C.H.I.C.', 'Giese NP', 'NP symbol', 'GOS' and 'QID'), trade names and other intellectual property are the property of Schlegel Acquisition Holdings Limited trading as Schlegel International and cannot be used without its express prior written permission. All rights reserved.

© Schlegel Acquisition Holdings Limited trading as Schlegel International 2017.



U0755001 – 05/2017

www.giese.it
www.schlegel.com