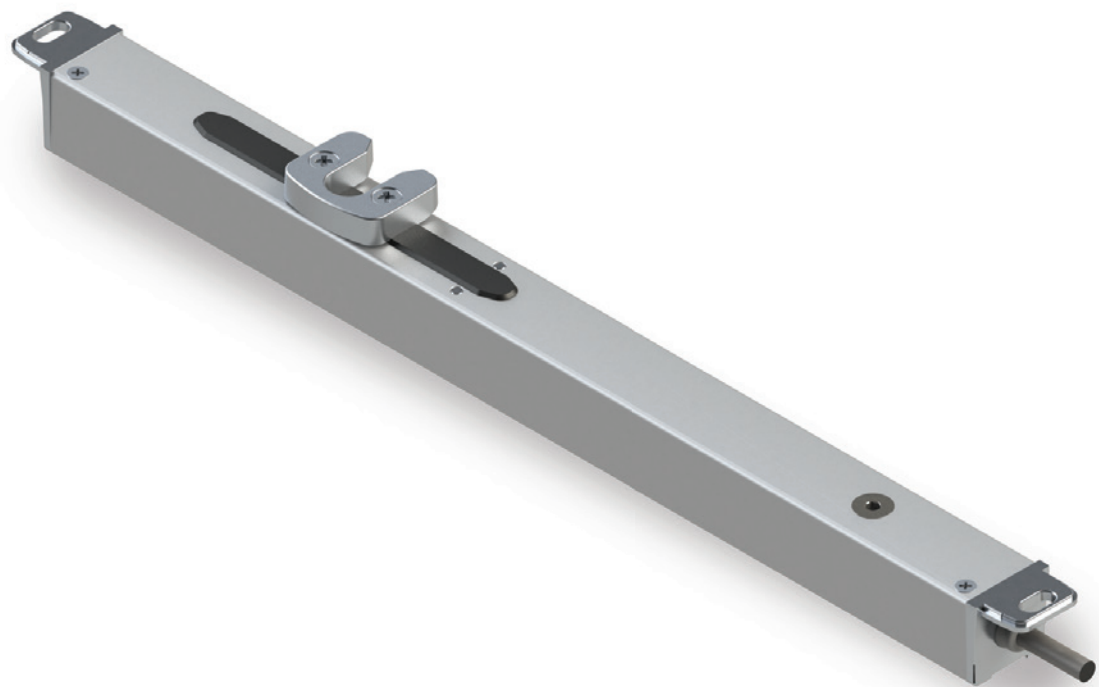




Slim Lock

ELECTRIC LOCK FOR MULTI-POINT LOCKING OF ALUMINIUM WINDOWS



Slim Lock

Slim Lock is the electric lock specially designed to automatically open / close the multi-point locking system of top-hung, bottom-hung and parallel windows, in combination with Varia Slim 24 V chain actuators.

The presence of locking points along the perimeter of the window significantly increases its air-water-wind tightness.

Slim Lock features reduced dimensions (25x26 mm) with recessed installation inside a slot in the window frame, without visual impact.

Slim Lock is quiet and is equipped with advanced electronics.

Slim Lock works in combination with Varia Slim 24 V actuators: at the opening signal, the lock releases the locking points before the actuator starts to work, whereas it blocks the locking points once the window is brought to closing.

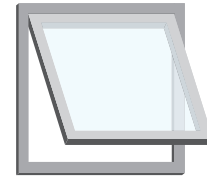
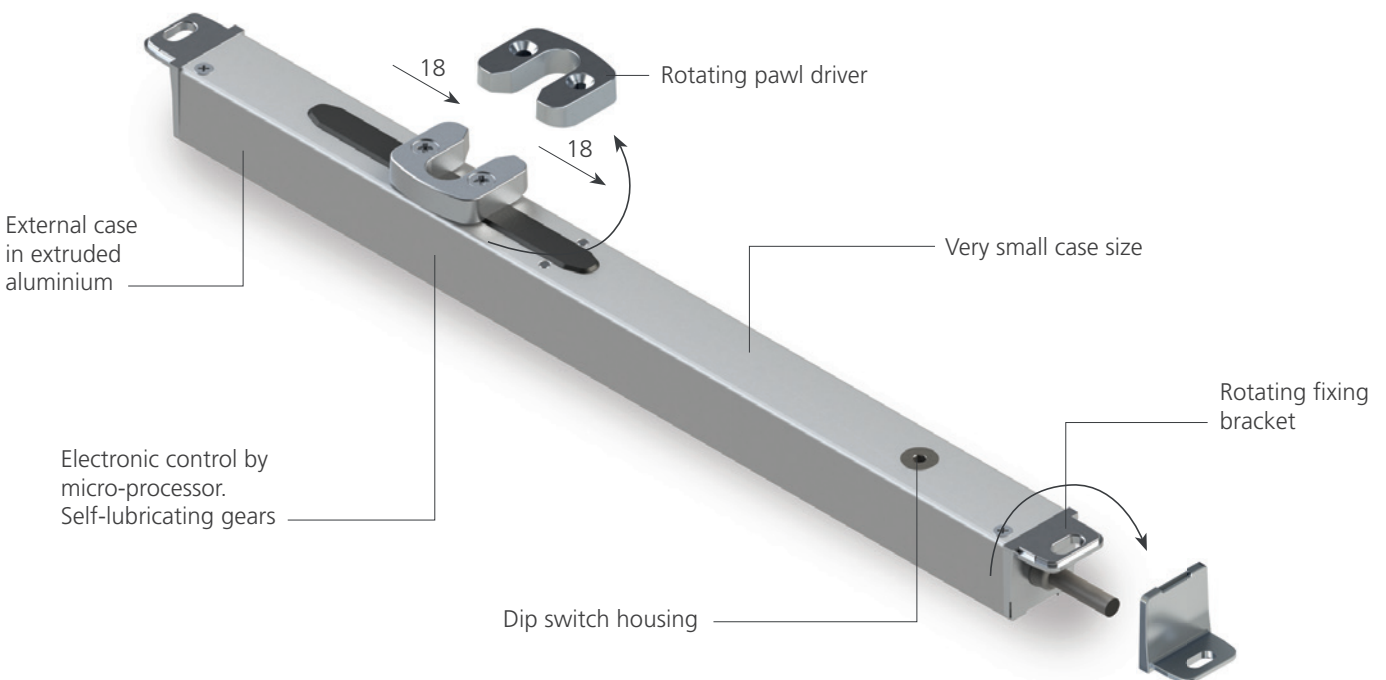
The push / pull force (600 N – 850 N at start) ensures high operational reliability even with a high number of locking points.

Plus

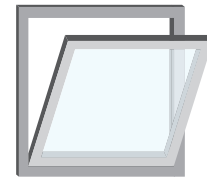
- Quiet and powerful
- Can be combined in parallel with up to 8 Slim Locks with Syncro units of the Varia Slim actuator range
- In compliance with Directive 2004/108 CE (EMC) and 2006/95 CE
- Tested 10,000 cycles at maximum load

Technical Features

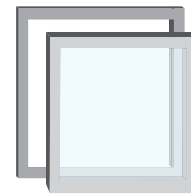
- 600 N thrust force
- Integrated electronic control of the opening / closing sequence
- Power supply voltage: 24 V dc
- Stroke selectable (18 or 36 mm) by dip switch
- Finishing: silver anodised



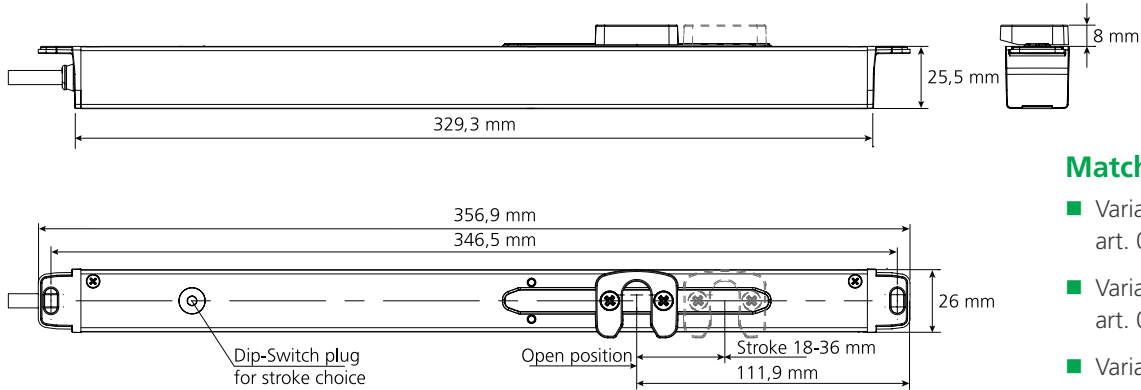
Top-Hung



Bottom-Hung



Parallel Window



Matching Actuators

- Varia Slim Small 24 V art. 07891
- Varia Slim Plus RWA 24 V art. 07880 – 07881
- Varia Slim 24 V art. 07885 – 07887

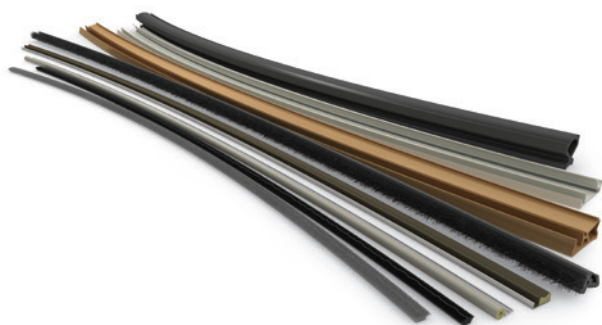
(NO Varia Slim Base 24 V)

Slim Lock 24 V – Item 07895

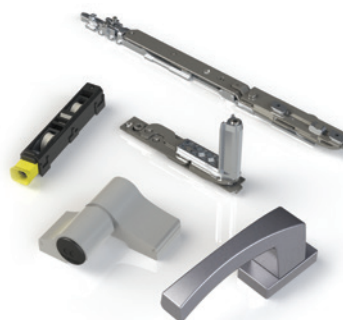
Push and pull force	600 N – 850 N at start
Stroke	18 mm / 36 mm
Power supply voltage	24 V dc (20.4 ÷ 30 V)
Current at nominal load	0,85 A during the opening / closing – 1,2 A for amperometric block
Power absorbed at nominal load	~ 20 W
No-load speed	5 mm/s
Maximum no-load stroke duration	4 s (18 mm) – 7,2 s (36 mm)
Double electric insulation	Very low tension
Duty rate	30 %
Service	S2 – 1 minute
Case material	Extruded aluminium
Operating temperature	-20 °C ÷ +70 °C
Degree of protection for electrical devices	IP 40
Opening / closing stroke end	Electronically set
Operating with chain actuators	Selectable
Operating without chain actuators	Selectable
Silicone cable	3 x 0,5 mm ² – 2,00 m
Overload protection in open / close	Supply cut due to power overload
Dimensions (mm)	25,5 x 25,5 x 357
Slot required (mm)	27 x 335,5
Weight (kg)	0,560
Matching actuators	Varia Slim Small 24 V art. 07891 Varia Slim Plus RWA 24 V art. 07880 – 07881 Varia Slim 24 V art. 07885 – 07887 (NO Varia Slim Base 24 V – art. 07890)

Data provided in these illustrations is not binding and subject to change, even without advanced notice.

ENGINEERED COMPONENTS FOR THE FENESTRATION INDUSTRY



Schlegel Sealing Systems



Giesse Hardware Systems

Schlegel International



GIESSE S.p.A. – A Company of Schlegel International

Via Tubertini, 1 – 40054 Budrio (BO), Italy

Tel: +39 051 8850000 | Fax: +39 051 8850001 | Email: info.it@schlegel.com

Care has been taken to ensure that the contents of this publication are accurate, but GIESSE and its subsidiary companies do not accept responsibility for errors or for information that is found to be misleading. Suggestions for, or description of, the end use or application of products or methods of working are for information only. All dimensions are in mm and are nominal. GIESSE reserve the right to change specification without prior notice.

Giesse's names and logos and all related trademarks (including 'GIESSE', 'GIESSE symbol', 'C.H.I.C.', 'Giesse NP', 'NP symbol', 'GOS' and 'QID'), trade names and other intellectual property are the property of Schlegel Acquisition Holdings Limited trading as Schlegel International and cannot be used without its express prior written permission. All rights reserved.

© Schlegel Acquisition Holdings Limited trading as Schlegel International 2017.



U0751001 – 02/2017

www.giesse.it
www.schlegel.com