



 **GIESSE**®

**PRIMA PLUS HANDLE**

Styling and functionality at the top



# GESSE PRIMA PLUS HANDLE

Styling and functionality at the top

The Prima double handle has renewed its mechanics and fixing, while retaining the renowned elegant Prima styling.

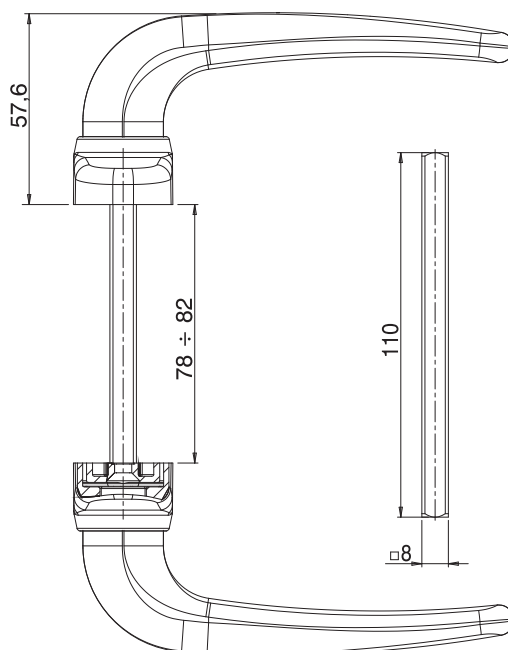
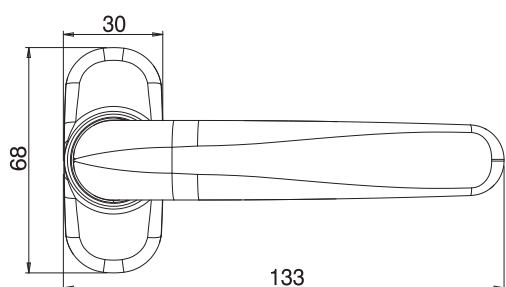
Prima Plus handle  
code 02792



**PRIMA STYLING**  
MAXIMUM EASE  
OF ASSEMBLY  
**200,000 CYCLES**

The PRIMA handle brilliantly passed the cyclical testing with 200,000 cycles in accordance with the EN1906 standard which defines the requirements and test methods for door handles and knobs.

The new internal handle mechanism, designed to last a long time, permits reaching excellent levels of reliability and resistance, ensuring full functionality of the handle even under severe conditions, for example when used in public buildings and hospitals.

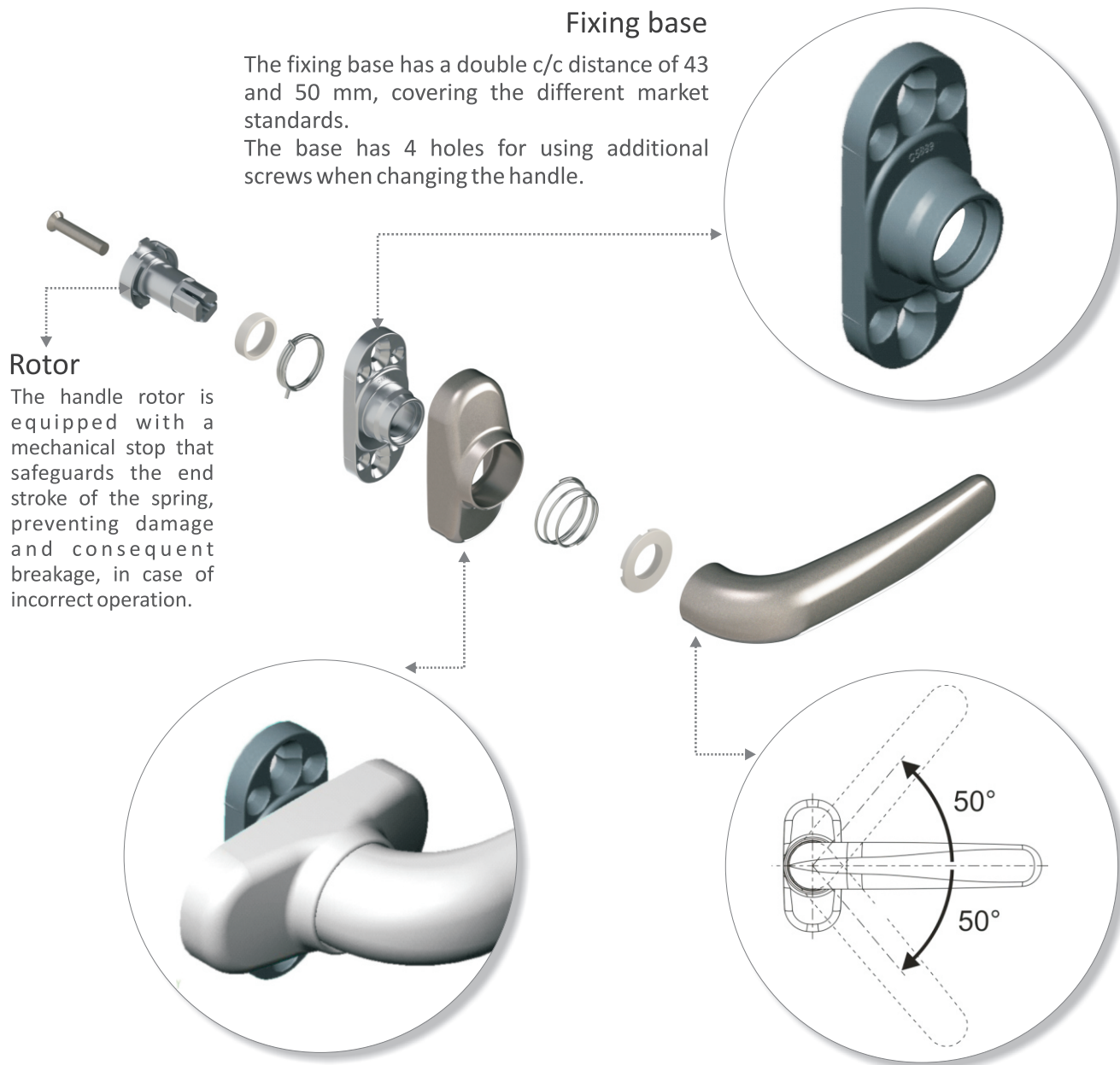


Prima Plus handle code 02792  
available with painted finishes  
410 - 430 - 376 - 500 - 600 - 610 - 611  
and TREND finishes  
310 - 325 - 340 - 350



# GIESSE PRIMA PLUS HANDLE

Styling and functionality at the top



## Quick and easy fixing

The plate cover provides instant access to the fixing screws by simply rotating the cover.

# GIESSE PRIMA PLUS HANDLE

Styling and functionality at the top

## Cylinder cover rosettes



Art. 02430  
Aluminium rosette



Art. 07058  
Aluminium rosette



Art. 02544  
Brass rosette



## Assembling components

The handle components can easily be assembled by hand, without the aid of any special equipment.

This enables painting the handle in the desired colour, to then proceed to assemble the various components.

There is also the manual lever-operated press punch art. 07000 that, thanks to the dedicated pallet, facilitates component assembly.

## Prima window handle 02762

In combination with the Prima Plus handle art. 02792, there is also the Prima window handle for lighter, more manageable side-hung and sliding windows.

