



GIESSE **JALOUSIE WINDOW SYSTEM**

A new approach to ventilation



JALOUSIE WINDOW SYSTEM GIESSE

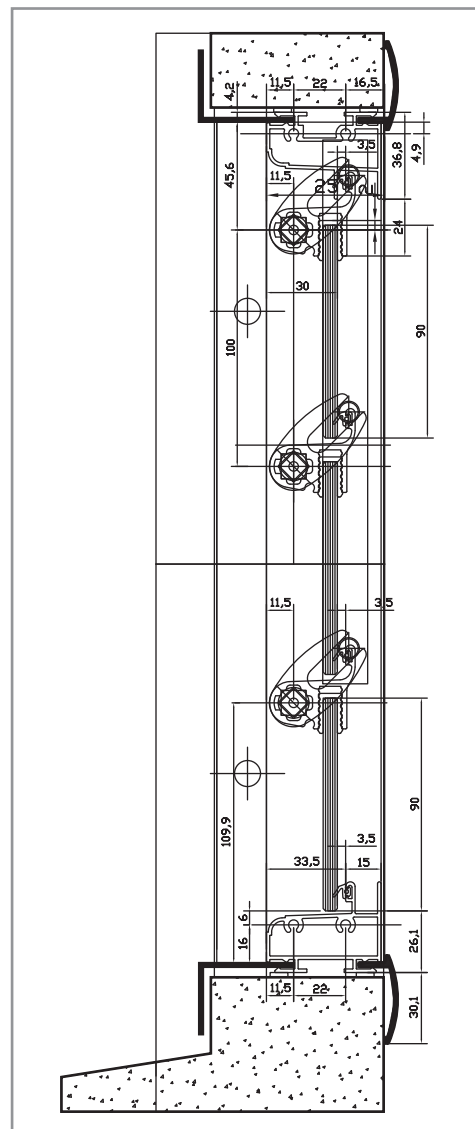
Introduction

Giesse has developed a range of accessories for jalousie windows. This type of window features a fixed frame with a number of adjustable slats. The cremone handle can be set to adjust the slats to fully closed, ventilation, or fully open.

The slats of a jalousie window can be in aluminium or glass, depending on the application.

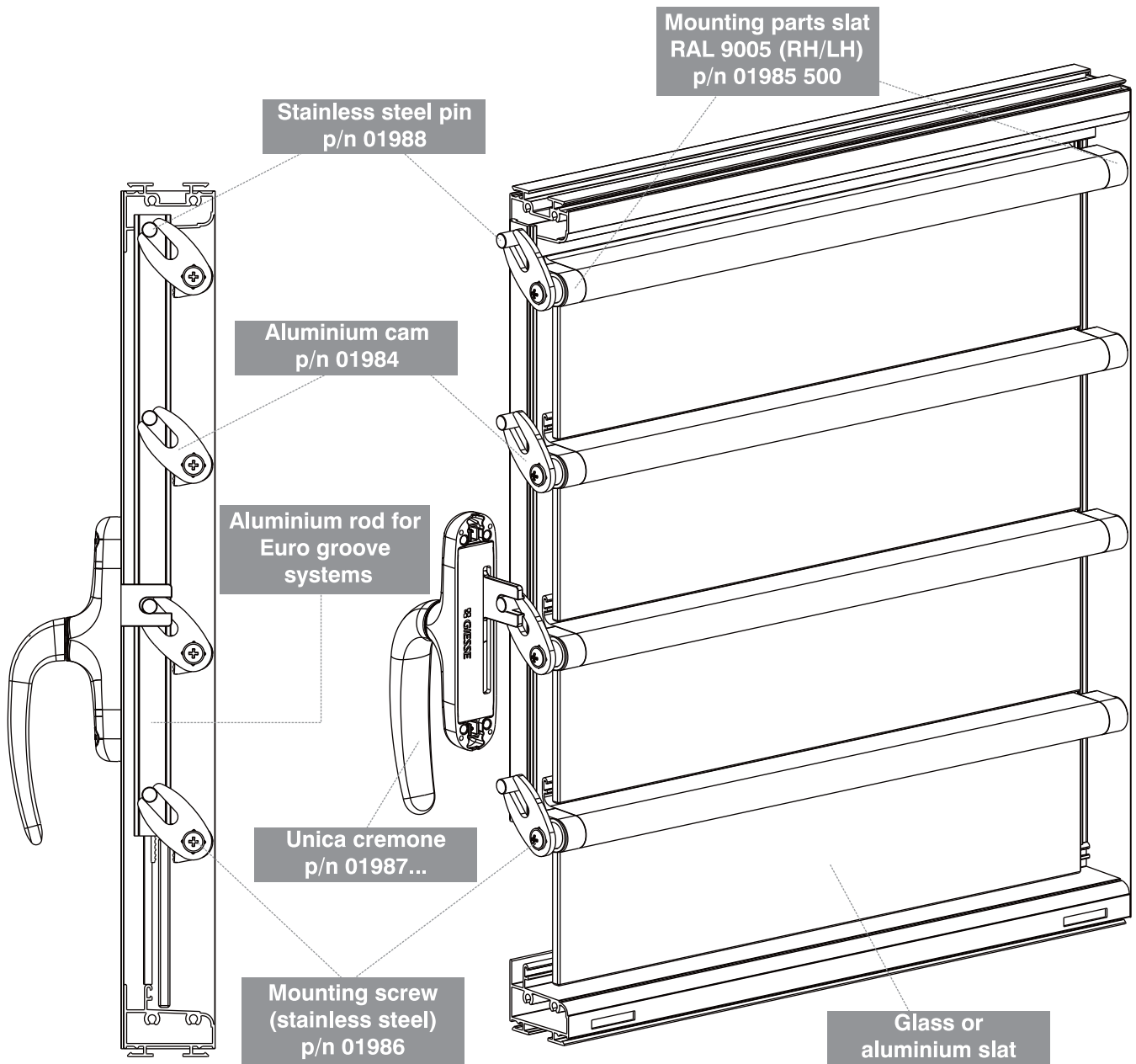
Jalousie windows are ideal for verandas, terraces and other

places where the user wishes to be able to ventilate the interior without opening the window like a normal side-hung solution. The jalousie window system is quick and easy to fabricate and install with Giesse accessories, designed specifically to facilitate the fabricator's work. For further information regarding Jalousie accessories and aluminium profiles please contact Giesse Technical Service.

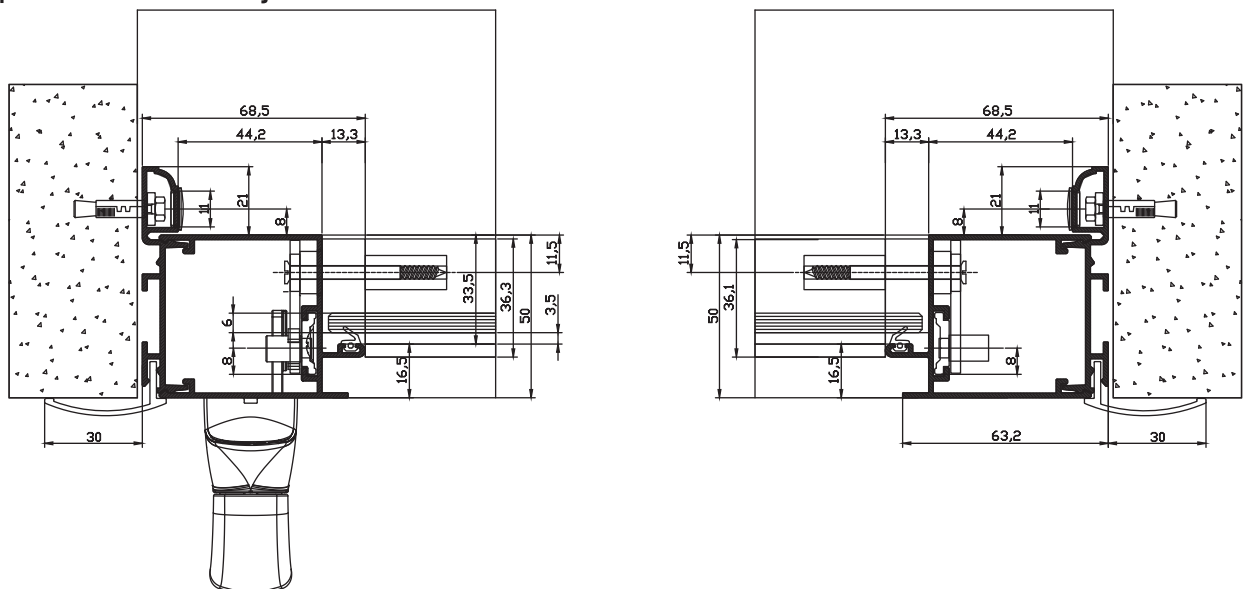


JALOUSIE WINDOW SYSTEM GIESSE

Accessories



Sample section of a jalousie window



JALOUSIE WINDOW SYSTEM GIESSE

List of accessories

Position	Description	P/n	Material	Finish	Qty per box	Qty per window
1	Pre-assembled Unica Cremone	01987 FFF	See data sheet, p/n 01155	RAL finishes	10	1
2	Cam	01984 000	Sheared aluminium	Untreated	100	2 x n. slats
3	RH/LH slat holder (pair)	01985 500	Die-cast zamak	Black RAL 9005 (GS500)	100 (Pairs)	1 pair x n. slats
4	Cam bolt	01986 000	Stainless steel	Untreated	100	2 x n. slats
5	Drive pin	01988 000	Stainless steel	Untreated	100	2 x n. slats

The system can be made of at most 6 slats

For very tall windows, two cremones may be used. Each cremone can operate at most 6 slats.

