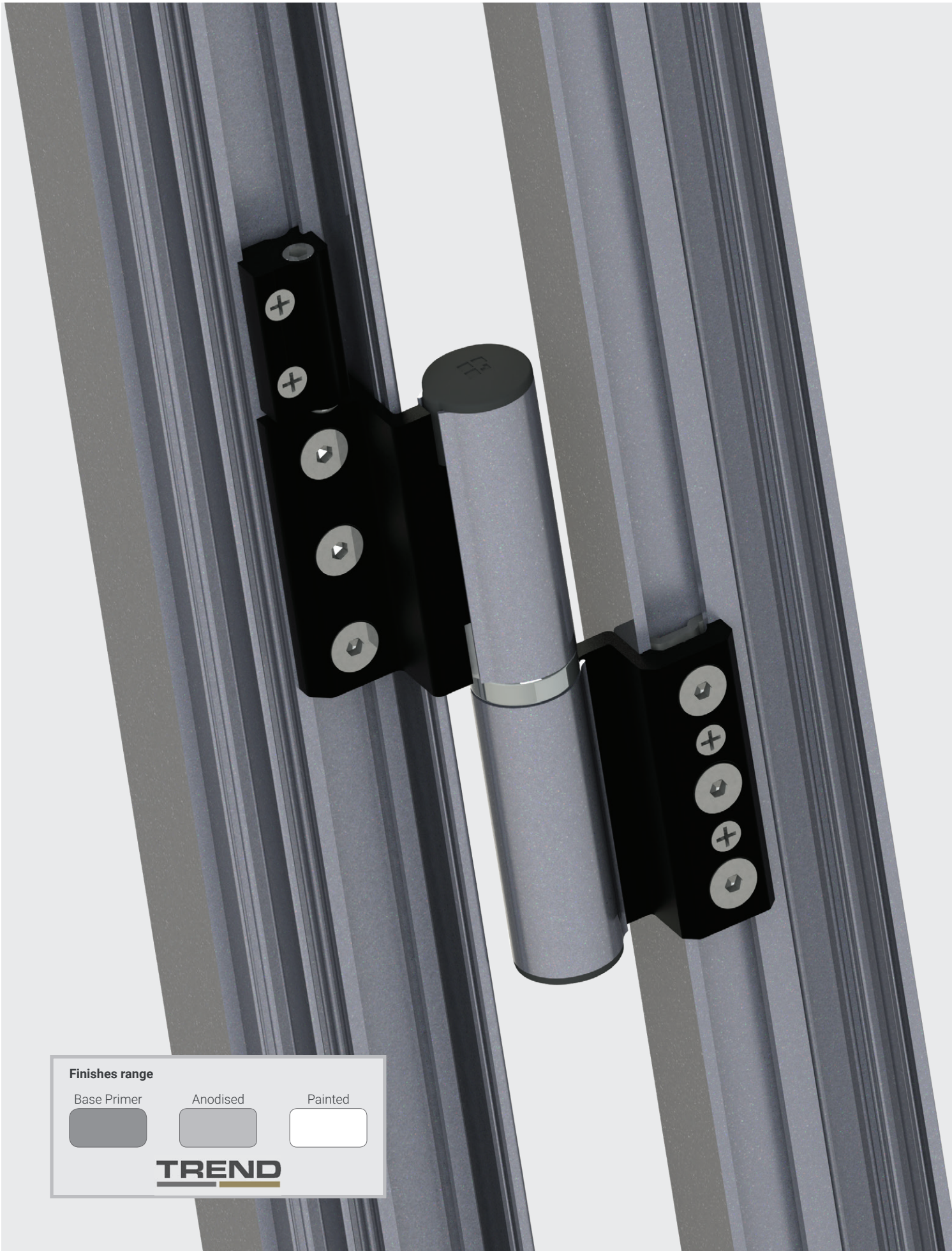




LINEA 3D
CLAMP DOOR HINGE



Finishes range

Base Primer	Anodised	Painted
		

TREND

LINEA 3D

Linea 3D is the ideal solution for manufacturers wishing to make heavy doors, combining high performance, fast installation, and good looks.

Linea 3D is a clamp-fixed hinge capable of maintaining the the hinge bodies remain aligned in whatever side adjustment position is selected. Linea 3D is suitable for doors subject to intensive use (use category 4* - heavy duty use) with high resistance of the hinge to fatigue and wear (durability grade 7* - 200,000 test cycles), and is tested at 1.000.000 cycles in complies with EN1191.

Linea 3D CE marked in compliance EN1935

The revolutionary Linea 3D system (Giesse pat-ent) makes it possible to perform side adjustment simply and effortlessly, using exclusively the ad-juster screw on the sash hinge, thus avoiding the un-sightly misalignment of hinge bodies typically found with conventional hinges.

Linea 3D can be side adjusted (± 2 mm), height adjusted ($-2/+4$ mm) and pressure adjusted ($\pm 0,5$ mm) performed using adjuster plate.

The hinge covers, available in painted or anodised finishes, make it possible to customize the hinge and obtain precisely the required finish. Application of the cover once the window has been installed prevents damage to exposed parts of the hinge during the operations of assembly, transport and installation.

Linea 3D can be used in side-hung sashes up to 150 kg (with 3 hinges).



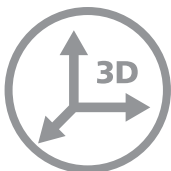
For sashes up to 150 kg

The hinges are ideal for installation in conditions of heavy duty use, in buildings with high frequency opening.



For doors subject to heavy duty use

The hinges are ideal for installation in conditions of heavy duty use, in buildings with high frequency opening.



Adjustable in three directions

The hinge can be adjusted in three directions, also with door installed.

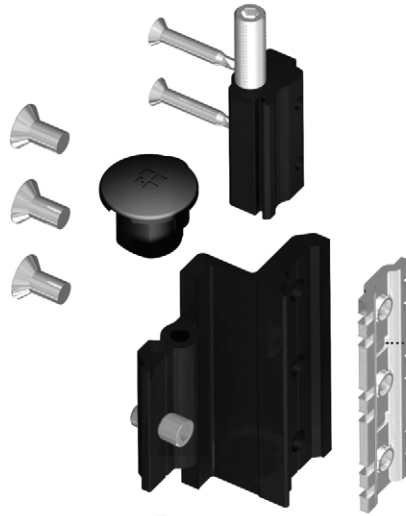
- Side adjustment ± 2.0 mm
- Height adjustment from -2 to $+4$ mm by adjuster plate
- Pressure adjustment ± 0.5 mm



Quick and easy assembly

Parts are fixed without any machining of the profile, by means of steel plates inserted in the channel. The assembly of the hinge and adaptation for right/left hand opening are accomplished in just a few **seconds**.

LINEA 3D

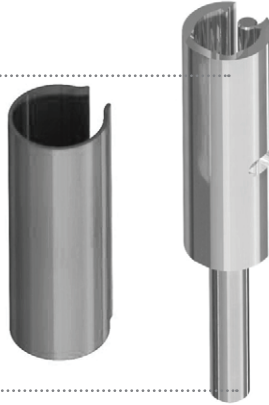


Guaranteed fixing

The special stainless steel fixing plates feature **double serrations** for fixing on both sides of the groove, ensuring optimal anchorage of the hinge to the profile. The plates feature stiffening ribs to ensure they will not be deformed as the screws are being tightened.

Perfect coaxial alignment

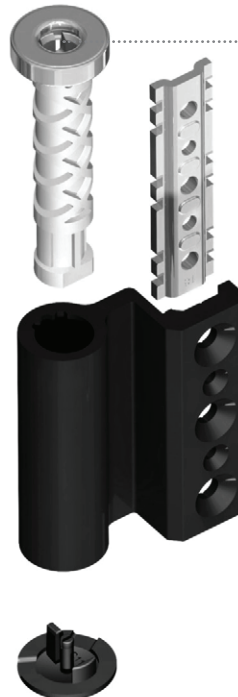
Zamak cartridge for side adjustment with high corrosion resistance finish (GS Silver Plus). The exclusive technology adopted (Giesse patent) guarantees constant and perfect alignment of the hinge bodies, even when the maximum available side adjustment has been utilised.



Ø10 mm stainless steel pin

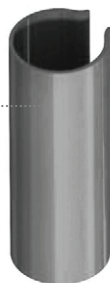
Very high wear resistance

Stainless steel thrust bearing. Ensures perfect freedom of movement of the hinge and lasting operation, also in severe working conditions with high loads.



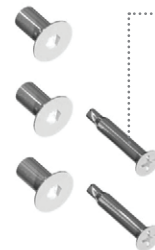
Customisable

The extruded aluminium cover can be **painted/anodised** to provide the exact colour required. Fitting only after the door is installed prevents damage to the hinges during transport and installation of the door.



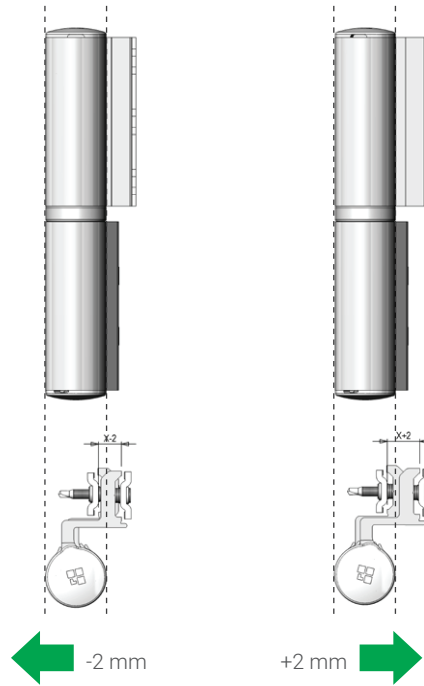
Maximum anchorage

Stainless steel reinforcing screws with which to fix the frame hinge securely to the profile to increase slipping resistance.



Perfect aligned bodies hinges even after side adjustment.

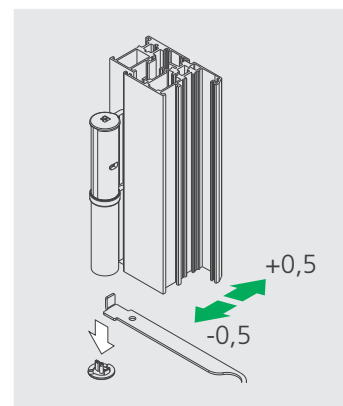
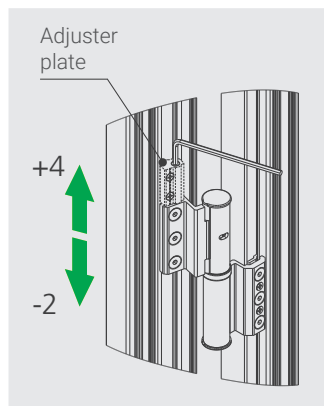
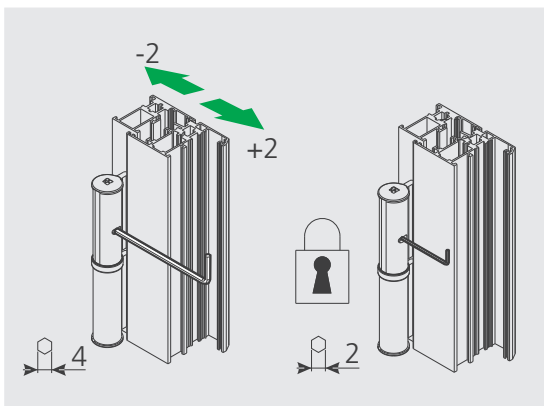
The revolutionary Linea 3D system (Giese patent) makes it possible to perform side adjustment simply and effortlessly, using exclusively the ad-juster screw on the sash hinge, thus avoiding the un-sightly misalignment of hinge bodies typically found with conventional hinges.



Code	Description	CE marking
00568190N	Hinge body (variable depends on the profile cross- section - see Giese General Technical Catalogue)	CLASS 13
00569190N		CLASS 13
00571190N		CLASS 13
00573190N		CLASS 11

Code	Description
00589FFF	Cover Linea 3D hinge
00570190	Linea 3D adjuster plate

Linea 3D adjustments



GIESSE DOORS RANGE

The range of Giesse hardware for doors is made up of products that display all the features essential to the manufacture of a "high quality" aluminium door.

And a particularly wide range of **Giesse hinges** allows the selection of the most appropriate type for the application and performance levels envisaged.

The many styles of **Giesse door handles** available, which include the Asia, Kora, Prima Plus and Master Plus lines, stand out for their innovative design and the variety of finishes on offer, including TREND CromoSat and NickelSat. Giesse handles are tested for 200,000 operating cycles, in accordance with EN1906 standard.

The range of **Giesse safety features** comprises **locks, cylinders, bolts** and **panic exit devices**, items of hardware designed to meet ever stricter demands in terms of resistance to break-in and compatibility with fire doors, as imposed by the increasingly stringent requirements indicated in procurement specifications .



Clamp door hinges



Frontal application door hinges



Door handle line Asia, Kora, Prima and Master Plus



Locks and cylinders for door

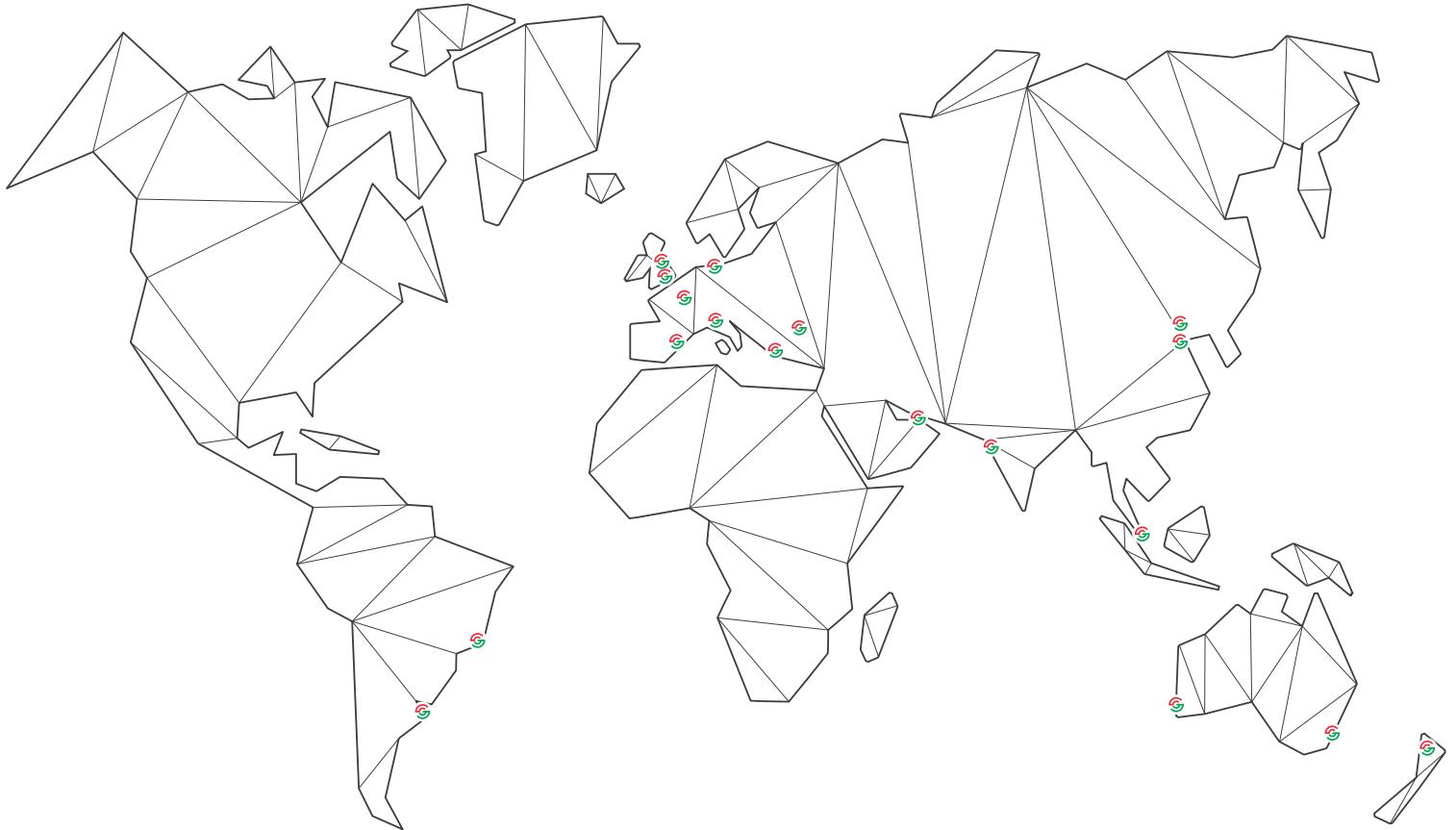


Door bolts



Panic exit devices

A GLOBAL PARTNER



SCHLEGELGIESSE
MADE FOR THE FUTURE

GIESSE S.p.A.

Via Tubertini 1, 40054 Budrio (BO), Italia

Tel: +39 051 8850000 • Fax: +39 051 8850001 • email: info.it@schlegelgiesse.com



U0249300 - 09-2018

www.schlegelgiesse.com