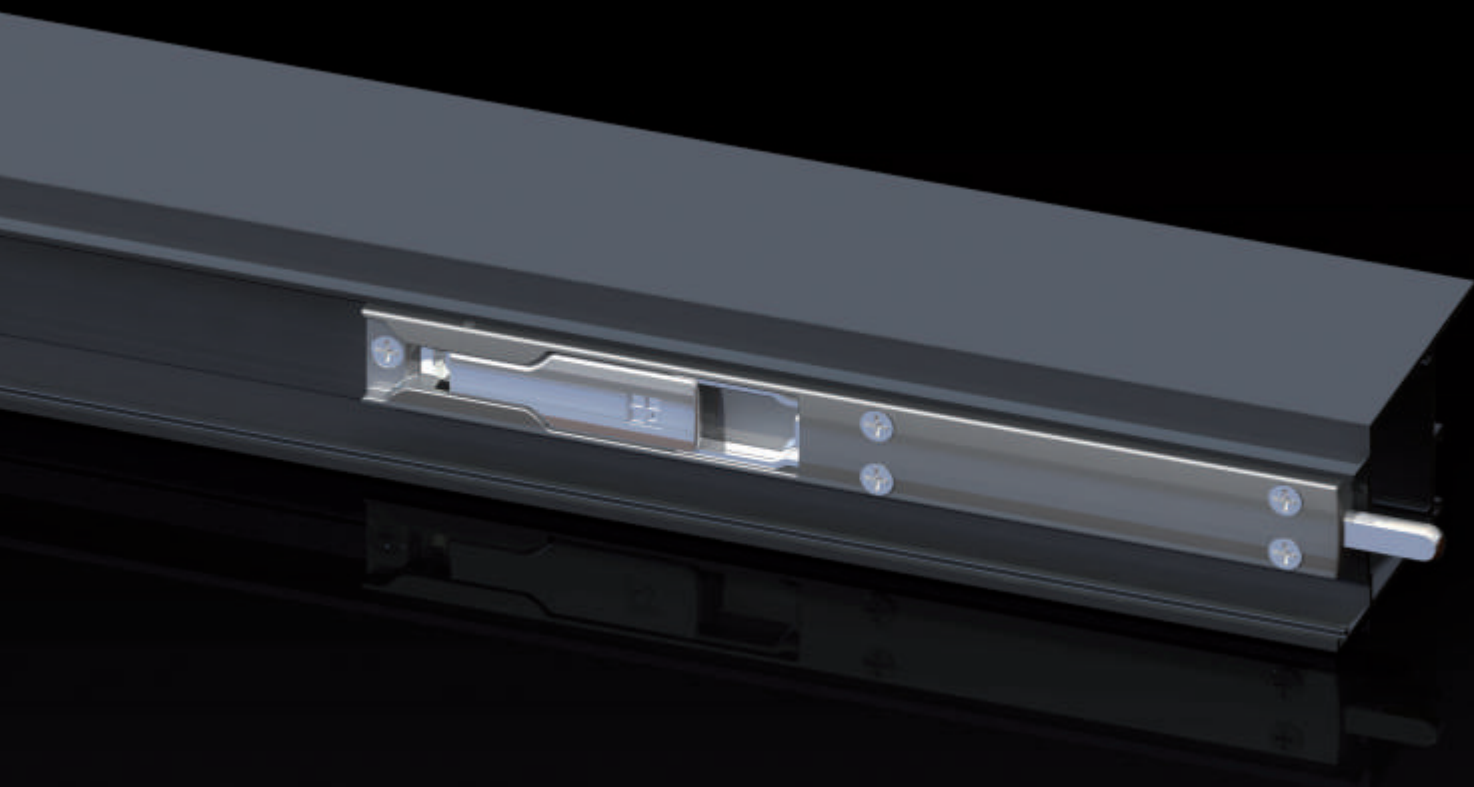


GIESSE **MAYA BOLT**

Aesthetics and security in a single gesture



GIESSE MAYA BOLT

The Project

**IDEAL FOR
ALL DOOR
APPLICATIONS**

**SOLID, ROBUST,
LONG SERVICE
LIFE**

**EXCITING, CON-
TEMPORARY
LOOK**

High applicability

The Maya lever bolt for doors is the most secure way to close two-wing aluminium doors.

With 8 mm of thickness, it boasts improved applicability, making it compatible with the majority of door profiles. Ready for application in contact with the profile,

A secure long-life mechanism

Maya is made with the highest quality materials to Giesse standards, fully compatible with aluminium doors and designed to ensure unbeatable performance for the life of the door itself. Its zamak body is finished with a painted, extruded aluminium casing.

Design

The bolt rounded aluminium cover and the option of Giesse's range of RAL finishes makes Maya the perfect match for any door profile, and reduces the visual impact typical of most bolts without compromising the security offered by its robust, solid construction.

It is self-fitting and can be installed easily and quickly with the supplied screws, which are numerous enough to ensure secure installation for the length of the bolt.

It is reversible, so that it can be applied either at the top or bottom of the door.

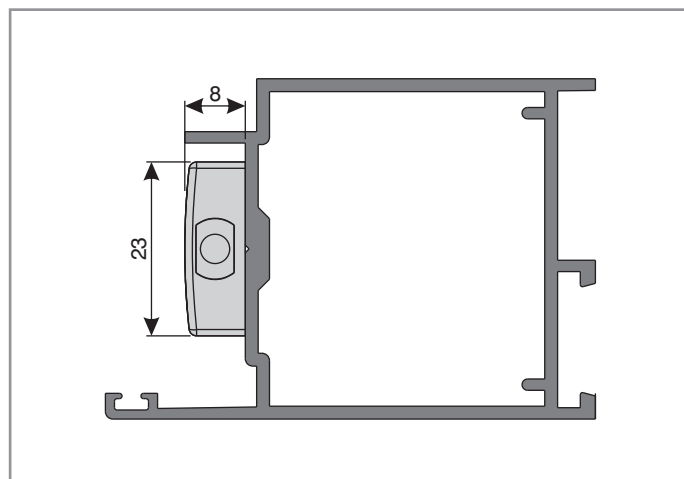
Maya is available in

lengths of 140, 220, 450 and 650 mm for various positions of the control lever, which depends on the height of the door itself.

It can be also made in other lengths to suit special applications.

It is operated by a chrome-finished zamak lever which, with its stainless steel spring, rods and pins, extends and retracts a robust stainless steel tip of cross-section 8x5 mm and stroke 21 mm.

The bolt is provided with stainless steel screws.



GIESSE **MAYA BOLT**

Technical specifications

The Maya bolt is classified to EN 12051:1999

MAYA BOLT						
4	4	-	0	1	3	3
↑ 1	↑ 2	↑ 3	↑ 4	↑ 5	↑ 6	↑ 7

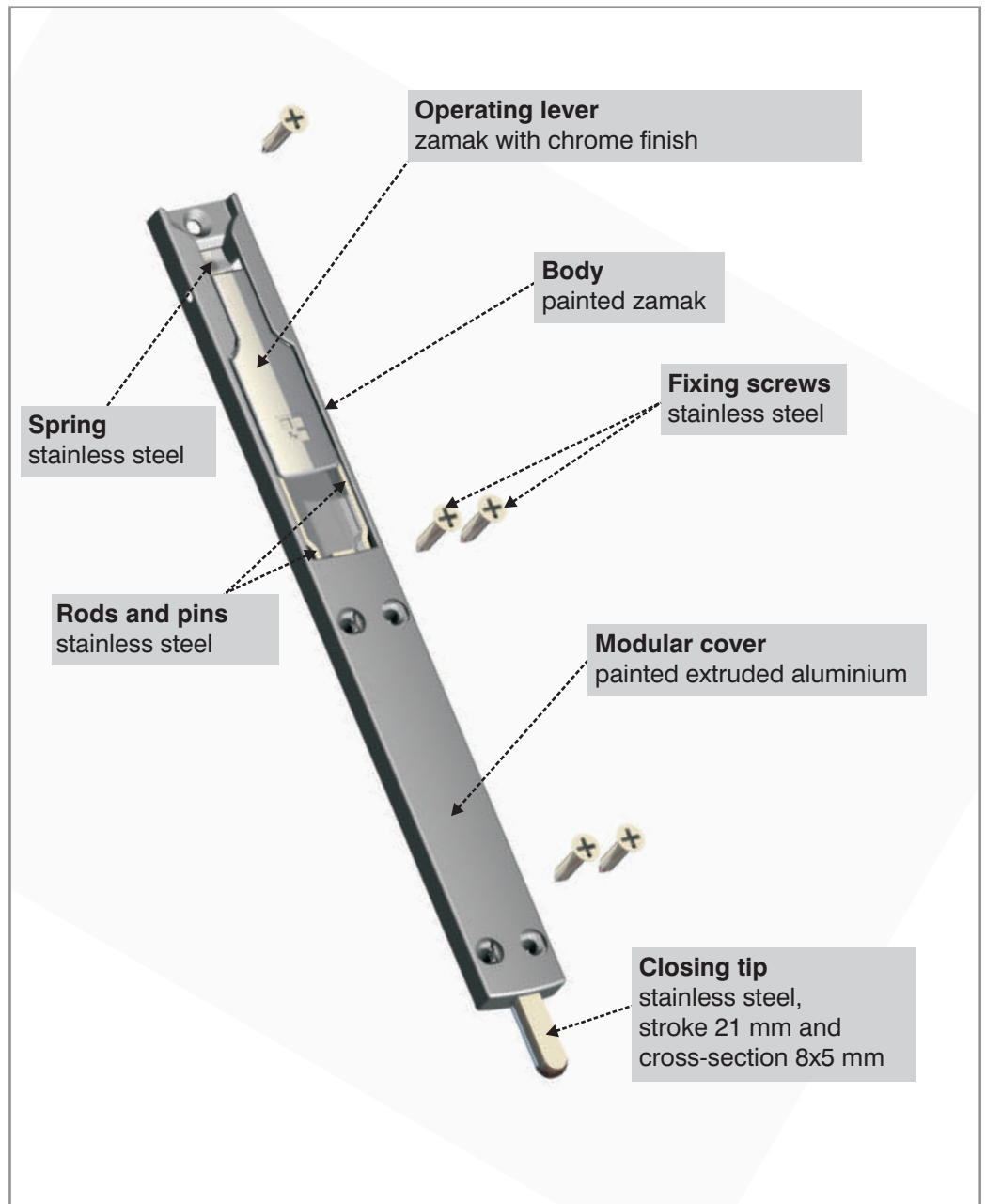
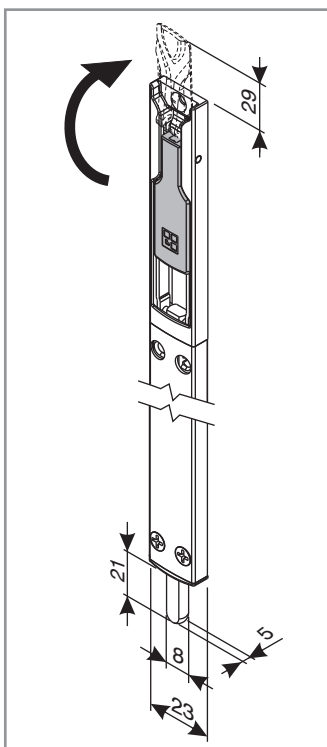
Key

- Duty (1=light, 2=medium, 3=heavy, **4=very heavy**)
- Durability (1=2,500 cycles, 2=5,000 cycles, 3=10,000 cycles, **4=50,000 cycles**)
- Weight (not required)
- Fire resistance (**0 = not suitable**, 1 = suitable)
- Safety in use (0 = not suitable, **1 = suitable**)
- Corrosion resistance (0-4, **3=highly resistant (>96 hours)** 4=very high resistance (>240 hours))
- Tamper proofing (1-5, 1=no externally applied load and 500 N lateral load, **3=3000 N externally applied load and 4500 N lateral load**, 5=5000 N externally applied load and 10000 N lateral load).

The Maya lever bolt is available in various lengths:

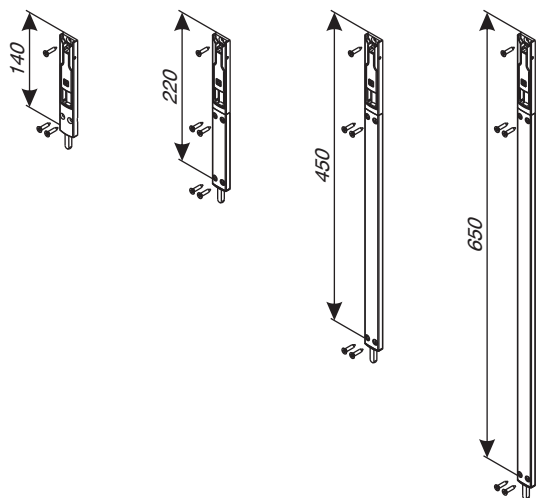
- L=140 mm (monolithic version - ideal for multi-point locks)
- L=220 mm
- L=450 mm
- L=650 mm

The tip stroke is 21 mm.
Compatible with threshold strikers code 02159 - 02144 - 01326 and top rail striker cod 01325.

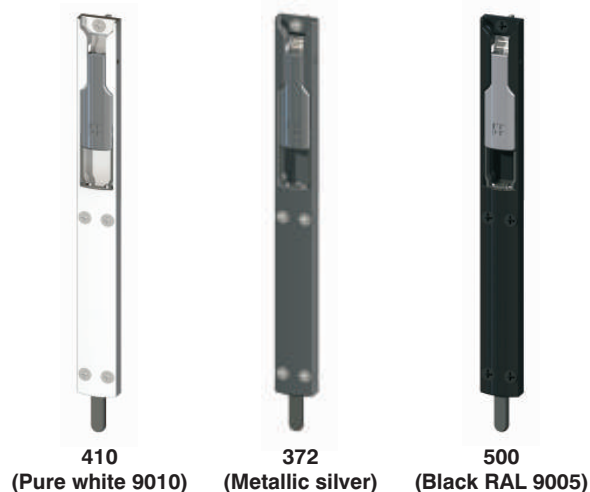


GIESSE MAYA BOLT

AVAILABLE MODELS



AVAILABLE FINISHES



Code	Description	Base/ Raw	Oxidate/ Elox		Painted finish		Trend/ Gold/ Brass		Special finishes	Special order	Parts per pack
			ST.5	SP.20	ST.5	SP.20	ST.5	SP.20			
MAYA DOOR BOLT											
02080...	MAYA DOOR BOLT L.140 mm				X						10
02081...	MAYA DOOR BOLT L.220 mm				X						10
02082...	MAYA DOOR BOLT L.450 mm				X						10
02083...	MAYA DOOR BOLT L.650 mm				X						10
STRIKER											
02159000	THRESHOLD STRIKER		X								50
02144000	THRESHOLD STRIKER		X								100
01326000	THRESHOLD STRIKER		X								100
01325000	RAIL STRIKER		X								100