

## 3-STAR SKG - TILT-AND-TURN SYSTEMS

### Functions

Giesse offers for Tilt-and-Turn windows with a single and double sash, a complete burglar-proof closing system with SKG\*\*\* certification issued by IKOB SKG (Netherlands).

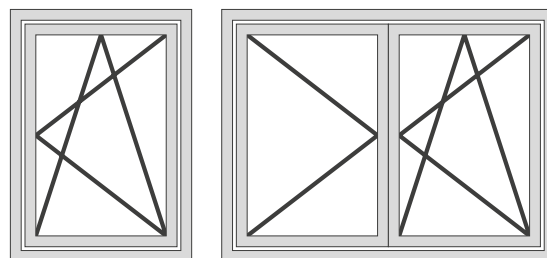
The use of premium materials (such as microcast steel) is essential for strengthening the components and connection devices and ensures the closing system is designed to withstand attempted burglaries and direct attacks.

### Technical Features

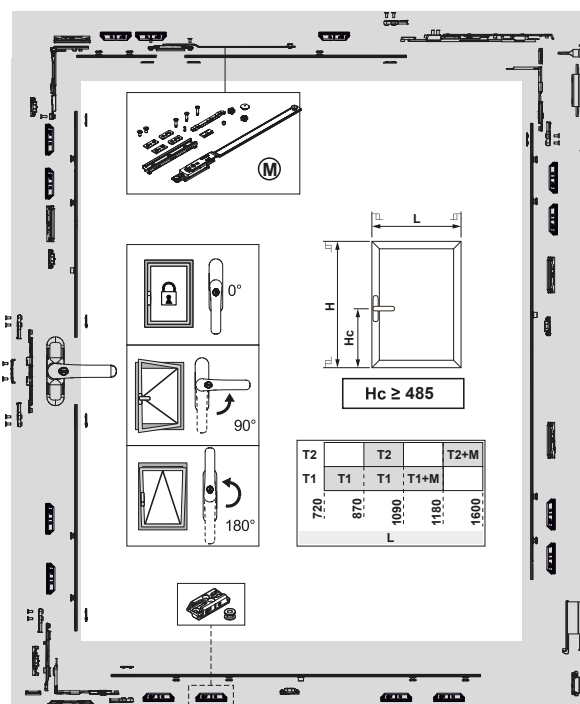
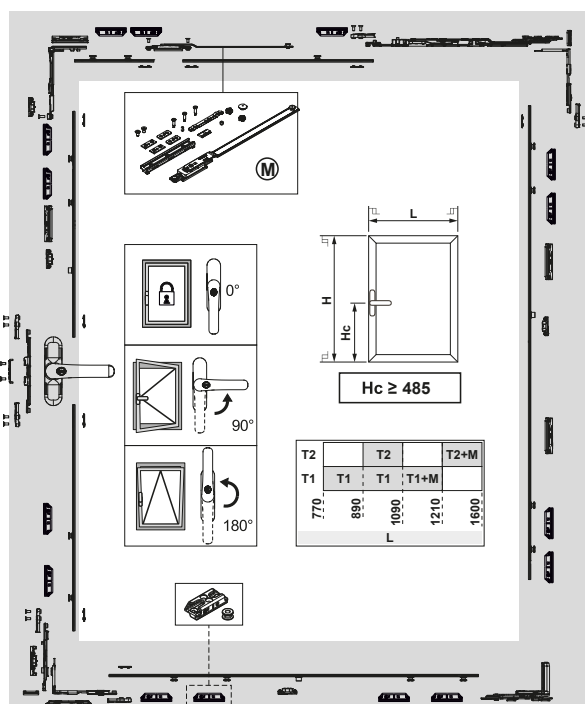
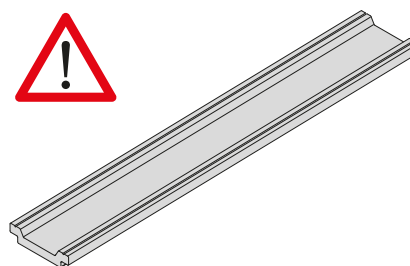
The SKG\*\*\* system consists of:

- Mechanism - SKG\*\*\* Cremone with key
- SKG\*\*\* Tilt-and-Turn mechanism
- Arms and Tilt-and-Turn hinges - CHIC or FUTURA
- SKG\*\*\* Burglar-proof fastening mechanism components

The combination of these components in line with variations in the sash dimensions ensures that the Giesse closing system is strong enough to be defined as burglar-proof, with RC3 classification in accordance with EN1627. System certification in accordance with EN1627, however, corresponds to the whole casement: hardware, profile, glass, wall fixings, etc.



The rods used with the SKG certified closing system must be made using Aluminium.

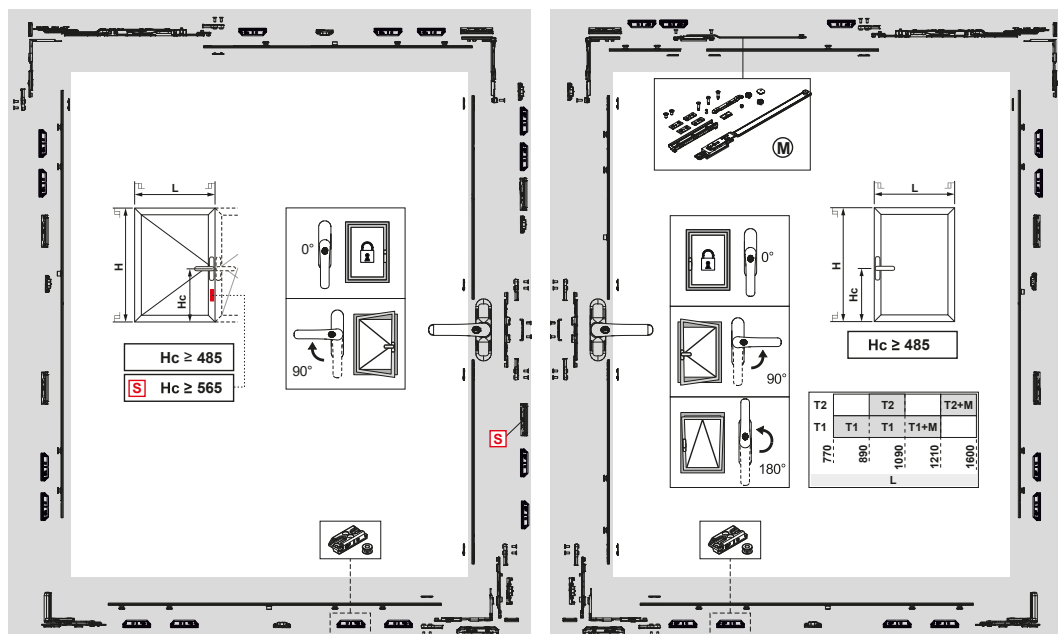


Single CHIC tilt-and-turn window - Configuration with 1000x1500 mm sash (LxH)

Quantity	Item code	Description
1	0108501 - 0119102 - 00960	Cremone
1	04007	Tilt-and-Turn window kit
15	04009	Burglar-proof fastening mechanism
1	043561 - 043562	CHIC - Tilt-and-Turn window kit, T2 arm (RH or LH)
1	04107	Incorrect movement safety device

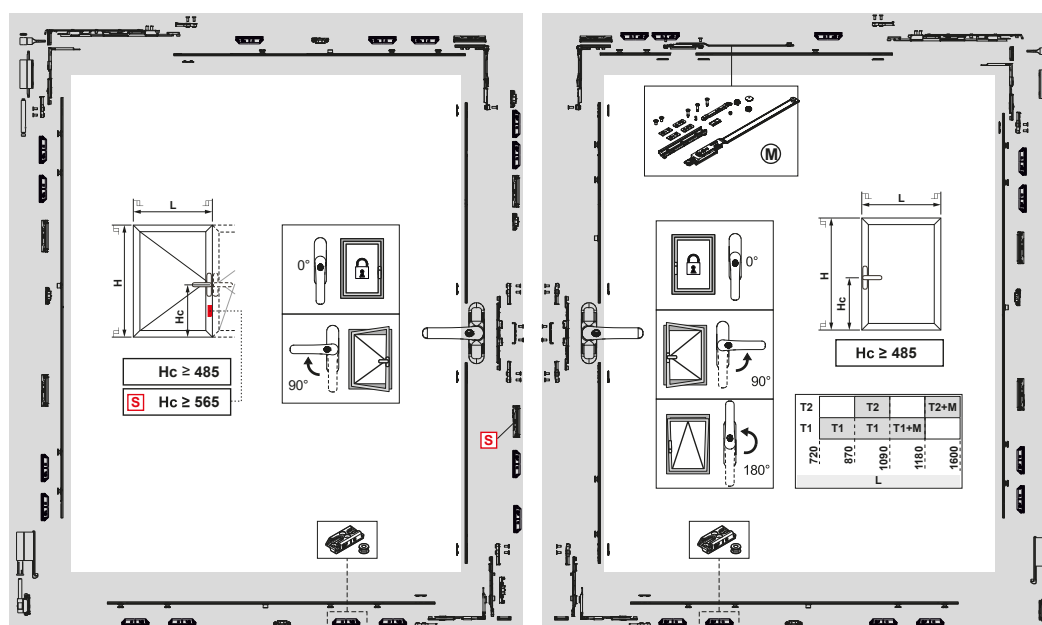
Single FUTURA tilt-and-turn window - Configuration with 1000x1500 mm sash (LxH)

Quantity	Item code	Description
1	0108501 - 0119102 - 00960	Cremone
1	04007	Tilt-and-Turn window kit
15	04009	Burglar-proof fastening mechanism
1	04285	T2 arm 130
1	04711	Tilt-and-Turn window hinge
1	04107	Incorrect movement safety device



Double CHIC tilt-and-turn window - Configuration with 1000x1500 mm sash (LxH)

Quantity	Item code	Description
2	0108501 or 0119102 or 00960	Cremone
2	04007	Tilt-and-Turn window kit
26	04009	Burglar-proof fastening mechanism
2	043561 or 043562	CHIC - Tilt-and-Turn window kit, T2 arm (RH or LH)
1	04107	Incorrect movement safety device



Double FUTURA tilt-and-turn window - Configuration with 1000x1500 mm sash (LxH)

Quantity	Item code	Description
2	0108501 or 0119102 or 00960	Cremone
2	04007	Tilt-and-Turn window kit
26	04009	Burglar-proof fastening mechanism
2	04285	T2 arm 130
2	04711	Tilt-and-Turn window hinge
1	04107	Incorrect movement safety device

## SKG - CREMONES

### Functions

Reversible cremone with key lockable handle, with rotation through 90° and 180° and opening/closing positioning notch.

### Technical Features

SKG\*\*\* certified, the cylinder makes it possible to lock the handle at 0° with a rotation and tear breaking strength greater than 100 Nm.

The cylinders of the FIRST KEY cremones have homogeneous coding, on request it is in any case possible to fulfill specific job orders with customized coding.

### Materials

Handle in die-cast aluminium

Die-cast Zamak case, gears, racks and sliding parts

Nickel-plated brass cylinder

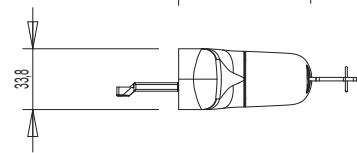
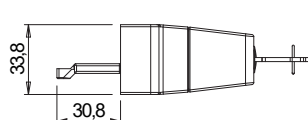
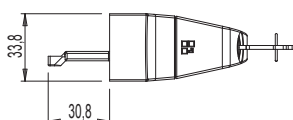
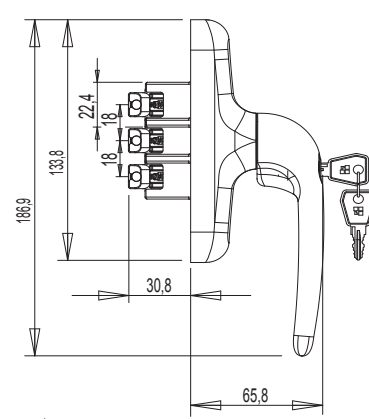
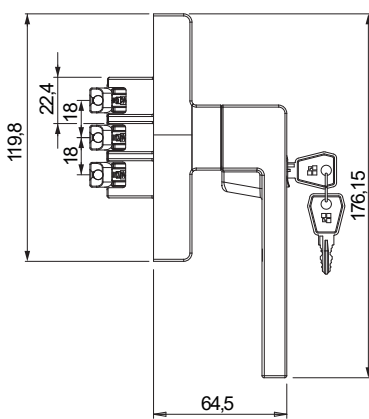
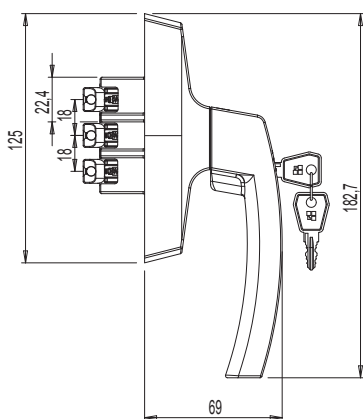
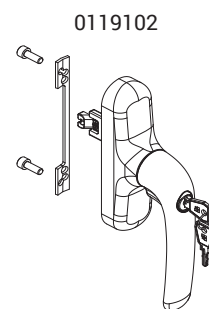
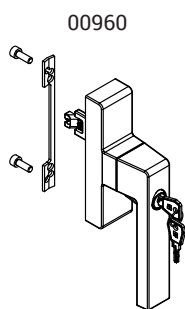
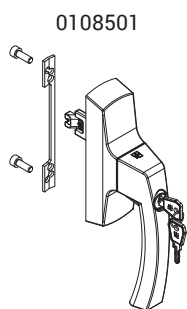
Internal sheath and Hostaform plate

Spring, screws and fixing plate in stainless steel

### Parts

1 fixing plate

2 HSHC screws M5x14



Item code	Description	Note	Base Raw	Anodised Elox	Painted	Trend/Gold Brass	Pieces per pack
0108501	SKG ASIA KEY MICRO CREMONE		X		X		5
0119102	SKG PRIMA KEY MICRO CREMONE		X		X		5
00960	SKG KORA KEY MICRO CREMONE		X		X		5

# 3-STAR SKG - TILT-AND-TURN SYSTEMS

## SKG - TILT-AND-TURN WINDOW KIT

### Functions

Tilt-and-Turn fastening mechanism available in standard version.

### Technical Features

Perimetral closing: the 3 corner drives supplied allow closing on all sides.

In relation to a standard product, it includes strengthening components for the joints with the rod.

4 adjustable shims reduce sideways movement of the sash, increasing its resistance to burglary.

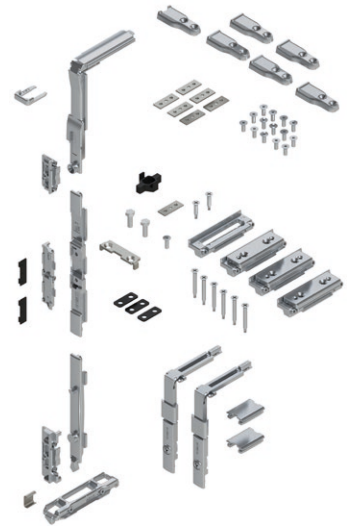
### Materials

Corner drives, drive rod, mechanism bolt tip and strikers in zamak with GS Silver Plus finish (up to 500 h of corrosion resistance)

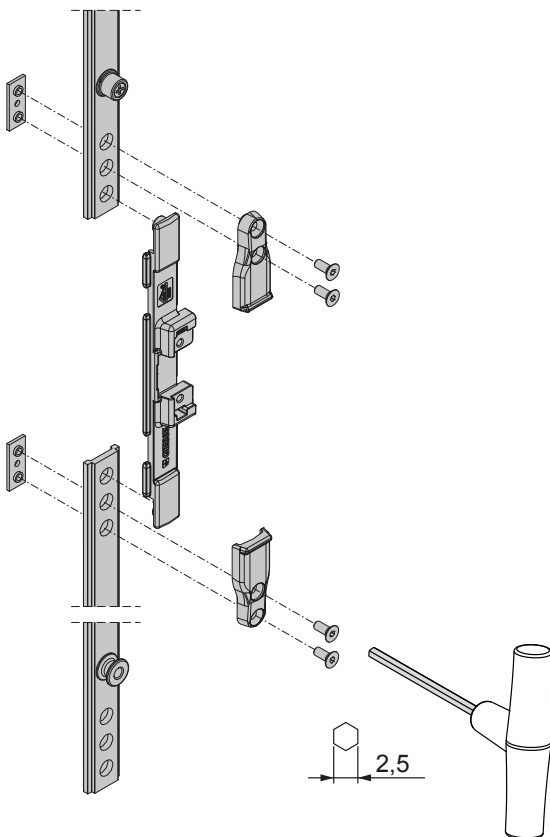
Sash/frame shimming components in GS Silver Plus zamak

Rod strengthening components in microcast steel

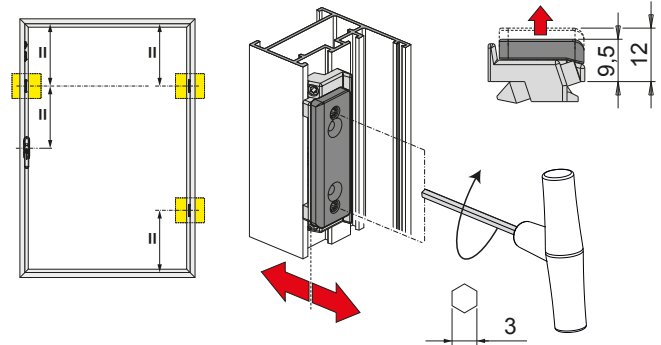
Screws and grub screws in stainless steel



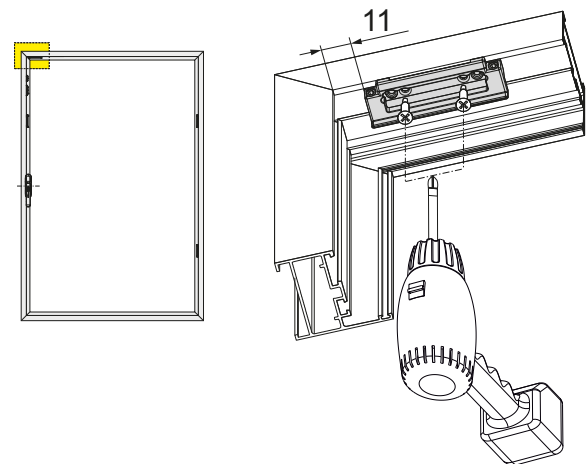
Rod strengthening components



Adjustable side shims



Top shim



Item code	Description	Note	Base Raw	Anodised Elox	Painted	Trend/Gold Brass	Pieces per pack
04007	SKG - TILT-AND-TURN WINDOW KIT		X				5

## 3-STAR SKG BURGLAR-PROOF FASTENING MECHANISM

### Functions

Specially designed device to increase resistance of the tilt-and-turn window to break-in attempts, making intrusion through the window more difficult.

### Technical Features

Article composed of two elements: the striker to be applied to the frame and the mushroom pawl to be applied to the rod.

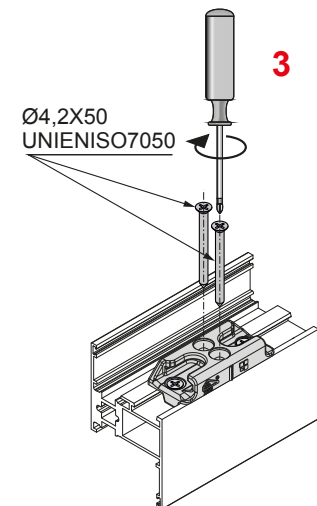
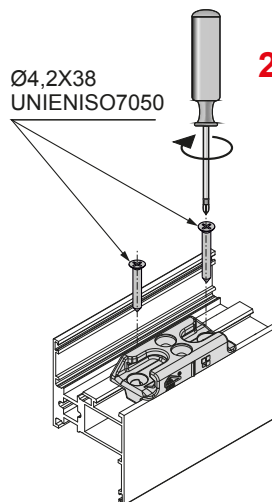
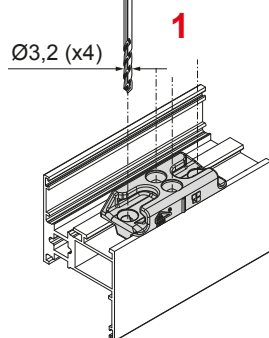
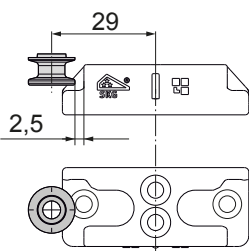
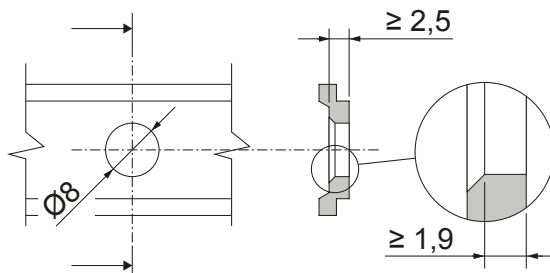
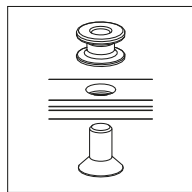
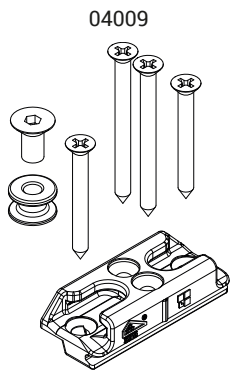
The striker is reversible and is secured to the frame by means of the four self-threading screws that ensure precise, quick fixing to the frame.

The pawl is applied to the rod of the series by simply making a hole  $\varnothing 8$  mm; thanks to this solution, using the burglar-proof kit requires no changes to the cutting.

### Materials

Microcast steel striker

Pawl and screws in stainless steel.



Item code	Description	Note	Base Raw	Anodised Elox	Painted	Trend/Gold Brass	Pieces per pack
04009	3-STAR SKG BURGLAR-PROOF FASTENING MECHANISM		X				20

# 3-STAR SKG - TILT-AND-TURN SYSTEMS

## 3-STAR SKG INCORRECT MOVEMENT SAFETY DEVICE

### Functions

Reinforced incorrect movement safety device

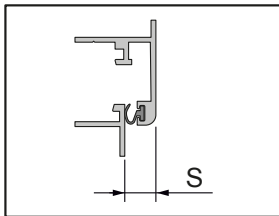
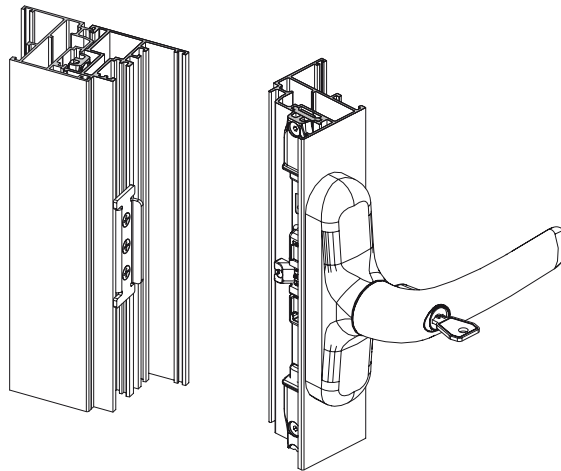
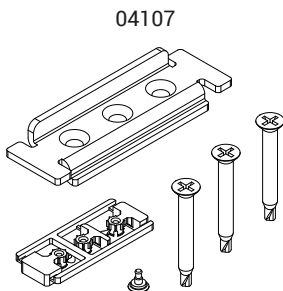
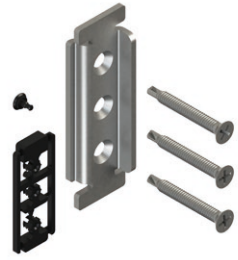
### Technical Features

Made of stainless steel, it protects the incorrect movement safety device slide of the cremone.

### Materials

AISI 304 stainless steel components and screws.

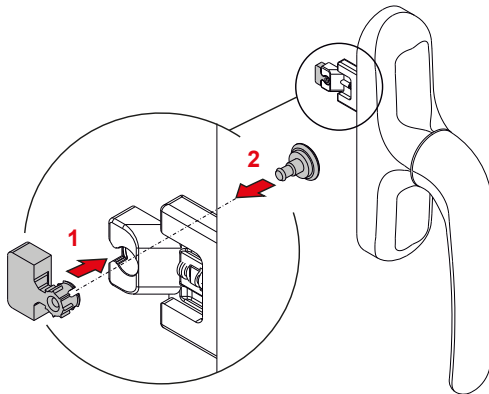
Black polyamide shims for cremone.



S = 13÷14mm

S = 9÷10mm

S = 11÷12mm



Item code	Description	Note	Base Raw	Anodised Elox	Painted	Trend/Gold Brass	Pieces per pack
04107	INCORRECT MOVEMENT SAFETY DEVICE		X				10

## SKG - ADDITIONAL ARM

### Functions

Additional arm for combination with the type 1 or type 2 arm on casements more than 1000 mm wide, installed to distribute the sash opening force during bottom-hung opening. Specifically reinforced to achieve SKG certification.

### Technical Features

The additional arm is fitted to the cross-beam on opposite side to the arm (drive side) on sashes more than 1000 mm wide to prevent excessive leverage, which might impair operation of the window, during bottom-hung opening.

The arm consists of a component for connection to the corner driver without fixing screws, a rod and a slider which is fixed to the frame using three self-tapping screws provided.

The integral rod fixing utilises specific screws and plates.

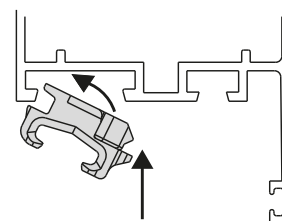
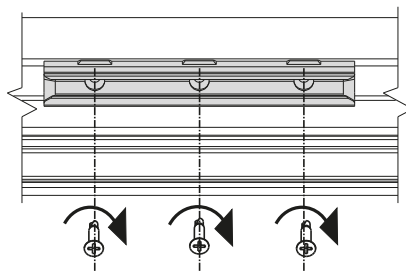
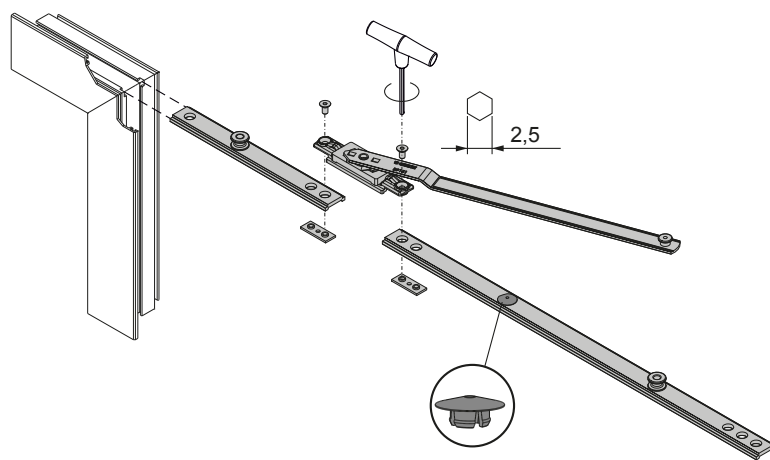
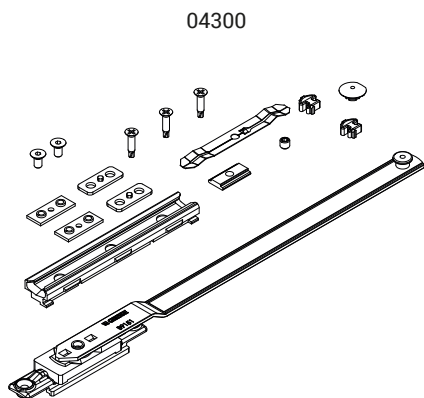
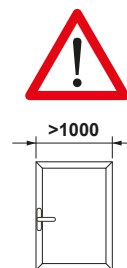
### Materials

Stainless steel arm

Slider and fixing plug in GS SILVER PLUS zamak

Polyamide shim

Screws and grub screws in stainless steel



Item code	Description	Note	Base Raw	Anodised Elox	Painted	Trend/Gold Brass	Pieces per pack
04300	SKG - ADDITIONAL ARM		X				5

# 3-STAR SKG - TILT-AND-TURN SYSTEMS

## SKG - CHIC 100 TILT-AND-TURN HINGES AND ARMS

### Functions

Hinge kit (upper and lower), completely pre-assembled and ready to be installed on the profile.

### Technical Features

They enable tilt-and-turn opening combined with the mechanisms.

Micro-ventilation and logica versions.

The arm is equipped with micro-ventilation as standard (adjustable).

Moving the fastening pawl takes the arm from conventional to logica.

The T2 arm is adjustable: the opening "A" goes from 178 mm (base) to 148 mm.

### Materials

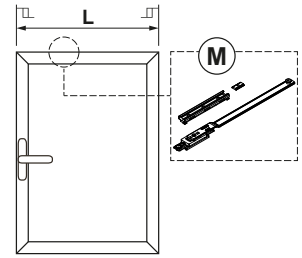
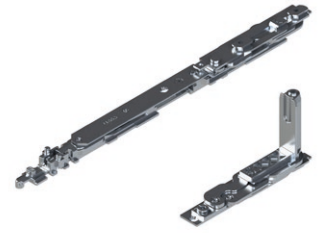
Corner support made of zamak

Connecting brackets and hinge plates made of zinc plated steel

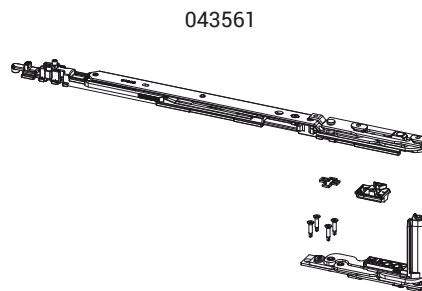
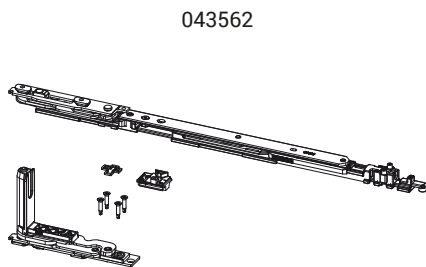
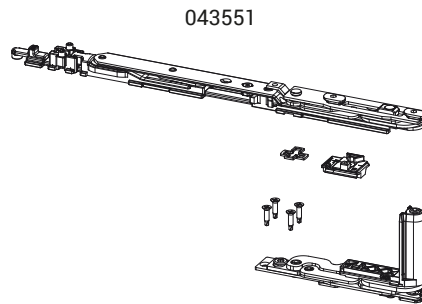
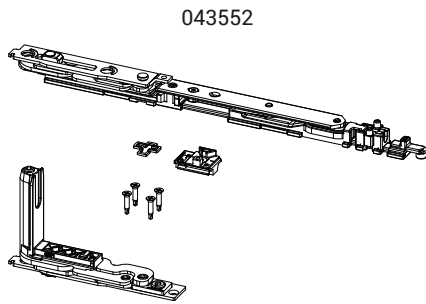
Pins made of 304 grade stainless steel and aluminium bronze

Cams made of zinc plated steel

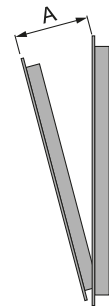
Connecting bracket and arm rod made of 304 grade stainless steel



T2		T2		T2+M
T1	T1	T1	T1+M	
770	890	1090	1210	1600
L				



Sash opening



Item code	Description	PROFILE CROSS - SECTION	A (mm)	Hand	Base Raw	Anodised Elox	Painted	Trend/Gold Brass	Pieces per pack
043551	CHIC - T1 ARM T&T KIT	C001-C002-C003-C004-C005-C006	-	RX	X				10
043552	CHIC - T1 ARM T&T KIT	C001-C002-C003-C004-C005-C006	-	LX	X				10
043561	CHIC - T2 ARM T&T KIT	C001-C002-C003-C004-C005-C006	148÷178	RX	X				10
043562	CHIC - T2 ARM T&T KIT	C001-C002-C003-C004-C005-C006	148÷178	LX	X				10



## SKG - CHIC 130 TILT-AND-TURN HINGES AND ARMS

### Functions

Set of hinges (top and bottom), completely pre-assembled and ready to be installed on the profile.

### Technical Features

They enable tilt-and-turn opening combined with the mechanisms.

Micro-ventilation and logica versions.

The arm is equipped with micro-ventilation as standard (adjustable).

Moving the fastening pawl takes the arm from conventional to logica.

The T2 arm is adjustable: the opening "A" goes from 178 mm (base) to 148 mm.

### Materials

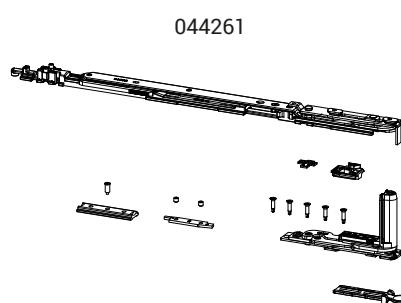
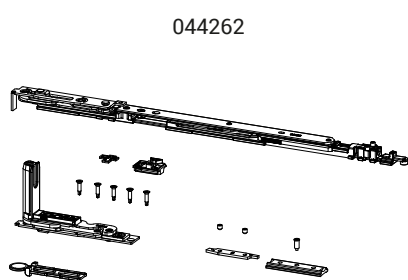
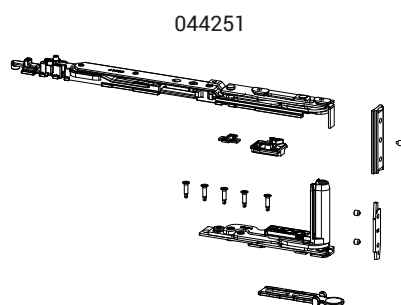
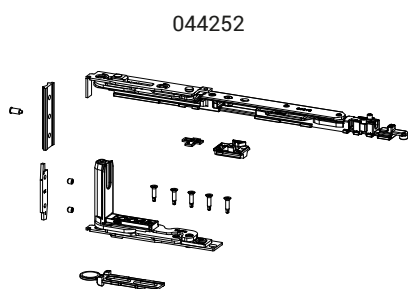
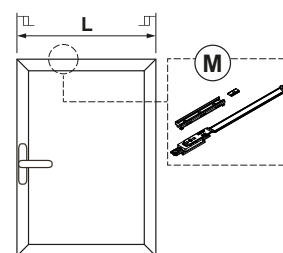
Corner support made of zamak

Connecting brackets and hinge plates made of zinc plated steel

Pins made of 304 grade stainless steel and aluminium bronze

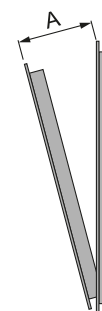
Cams made of zinc plated steel

Connecting bracket and arm rod made of 304 grade stainless steel



T2		T2		T2+M
T1	T1	T1	T1+M	
770	890	1090	1210	1600
L				

Sash opening



Item code	Description	PROFILE CROSS - SECTION	A (mm)	Hand	Base Raw	Anodised Elox	Painted	Trend/Gold Brass	Pieces per pack
044251	CHIC - T1 ARM T&T KIT	C001-C002-C003-C004-C005-C006	-	RX	X				10
044252	CHIC - T1 ARM T&T KIT	C001-C002-C003-C004-C005-C006	-	LX	X				10
044261	CHIC - T2 ARM T&T KIT	C001-C002-C003-C004-C005-C006	148÷178	RX	X				10
044262	CHIC - T2 ARM T&T KIT	C001-C002-C003-C004-C005-C006	148÷178	LX	X				10

# 3-STAR SKG - TILT-AND-TURN SYSTEMS

## SKG - FUTURA 3D 130 HINGES AND ARMS

### Functions

Futura 3D 130 tilt-and-turn hinge set (upper and lower) and arm.

### Technical Features

Hinges: hinge set (upper and lower), completely pre-assembled and ready to be installed on the profile.

Arms: allow tilt-and-turn opening in conjunction with tilt-and-turn hinges and mechanisms.

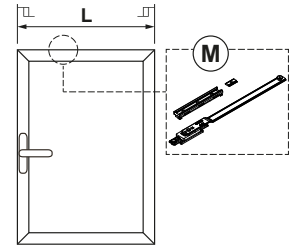
### Materials

Hinges:

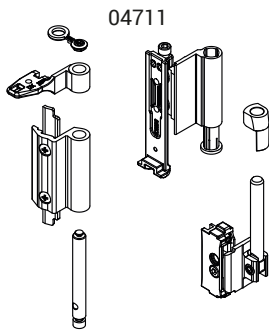
- Body of hinges in extruded aluminium and brass
- Supports in zamak with GS Silver Plus finish (up to 500 h corrosion resistance)
- Pins, screws and grub screws in stainless steel

Arms:

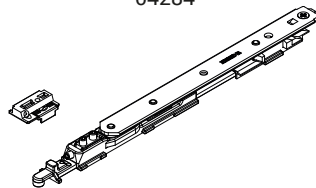
- Body, fixing block and slider in zamak with GS Silver Plus finish (up to 500 h corrosion resistance)
- Rod, connecting bracket, grub screws and screws in stainless steel
- Stop disk in polyamide



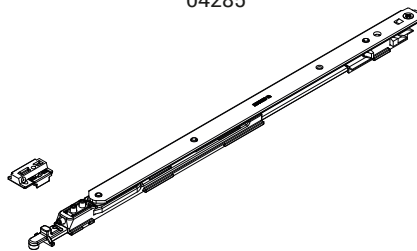
T2		T2		T2+M
T1	T1	T1	T1+M	
720	870	1090	1180	1600
L				



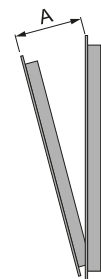
04284



04285



Sash opening



Item code	Description	PROFILE CROSS - SECTION	Base Raw	Anodised Elox	Painted	Trend/Gold Brass	Pieces per pack
04711	HINGE T/T FUTURA 130	C001-C002-C005-C006	X		X	X	10

Item code	Description	PROFILE CROSS - SECTION	A (mm)	Base Raw	Anodised Elox	Painted	Trend/Gold Brass	Pieces per pack
04284	ARM T1 130 WITH MICROVENTILATION	C001-C002-C003-C004-C005-C006-C013-C014-C015-C016-C017	120					10
04285	ARM T2 130 WITH MICROVENTILATION	C001-C002-C003-C004-C005-C006-C013-C014-C015-C016-C017	175					10