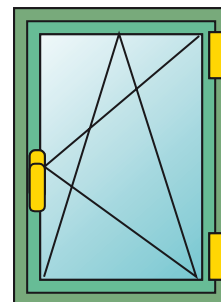


FUTURA 3D R

Functions

Complete system for the construction of tilt-and-turn windows with load capacities of up to 110 kg. Available in the standard and logica versions.



Technical Features

Making a FUTURA 3D R tilt-and-turn window mechanism requires:

- Hinge kit
- Set of fastening mechanisms for Cremones and window handles
- Arms, available in two versions (standard and logic).
- Cremona or window handle (available in different models to choose from in the specific catalogue section)

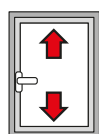
Adjustments

The FUTURA 3D tilt-and-turn window enables micrometric adjustment in every direction, ideal after installing the casement.

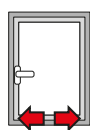
Logica

The logical operation consists in first tilt-and-turn opening (with the cremona at 90°) and secondly side-hung opening (with the cremona at 180°). Its use is particularly recommended in public buildings (schools, hospitals, etc.) in combination with a cremona with a key in order to have only tilt-and-turn window opening for safety reasons and to allow full opening only for staff with the key.

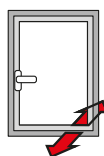
ADJUSTMENTS [mm]



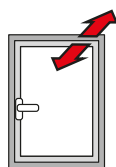
Height:  
+1.5 / -0.5



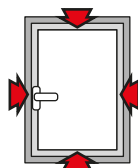
Side:  
±1,2



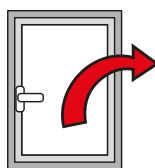
Bottom hinge compression:  
±0.3



Top hinge compression:  
±1.5



Striker compression:  
±1,2



Sash fall:  
+4 / -2

Logica mechanism operation

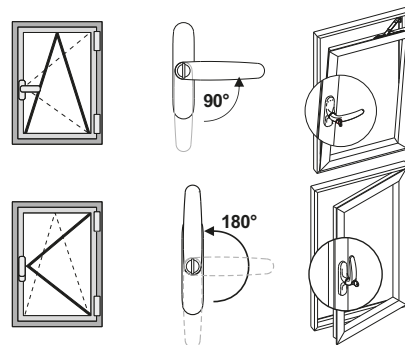


Table of maximum glass thickness [mm]

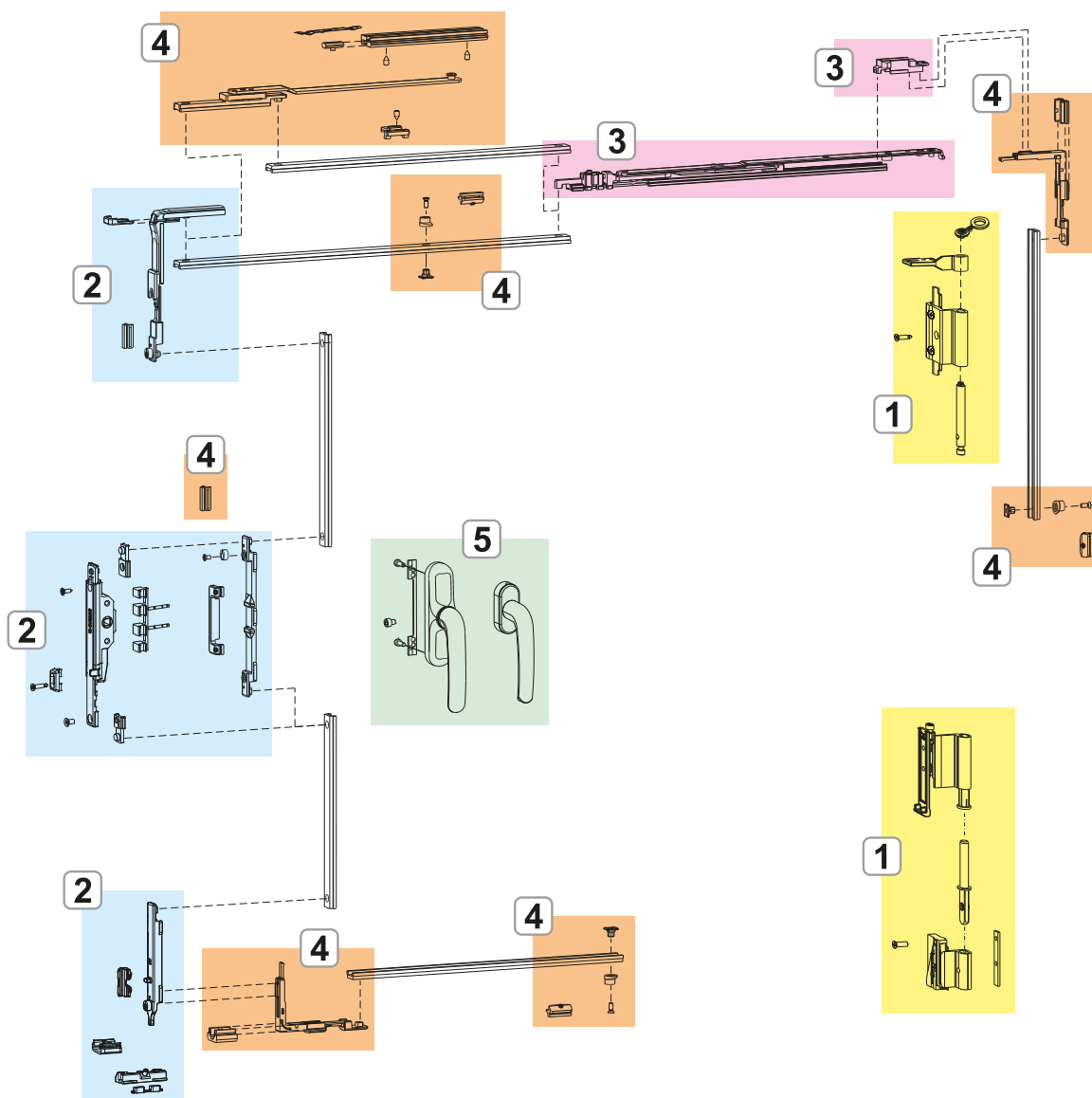
2500	35	29	25	22	19	17	16	14	13	12	12	11	10	
2400	36	30	26	22	20	18	16	15	14	13	12	11	11	
2300	38	31	27	23	21	19	17	16	14	13	13	12	11	
2200	39	33	28	25	22	20	18	16	15	14	13	12	12	
2100	41	34	29	26	23	21	19	17	16	15	14	13	12	
2000	43	36	31	27	24	22	20	18	17	15	14	13	13	
1900	45	38	32	28	25	23	21	19	17	16	15	14	13	
1800	48	40	34	30	27	24	22	20	18	17	16	15	14	
1700	50	42	36	32	28	25	23	21	20	18	17	15	14	
1600	50	45	39	34	30	27	25	22	21	19	17	15	14	
1500	50	48	41	36	32	29	26	24	22	20	17	15	14	
1400	50	50	44	39	34	31	28	26	23	20	17	15	14	
1300	50	50	47	42	37	33	30	27	23	20	17	15		
1200	50	50	50	45	40	36	32	27	23	20	17			
1100	50	50	50	49	44	39	32	27	23	20				
1000	50	50	50	50	48	39	32	27	23					
900	50	50	50	50	48	39	32	27						
800	50	50	50	50	48	39	32							
700	50	50	50	50	48	39								
600	390	500	600	700	800	900	1000	1100	1200	1300	1400	1500	1600	1700

Table of maximum load capacity [kg]

2500	110	110	110	110	110	110	110	110	110	110	110	110	110	
2400	110	110	110	110	110	110	110	110	110	110	110	110	110	
2300	110	110	110	110	110	110	110	110	110	110	110	110	110	
2200	110	110	110	110	110	110	110	110	110	110	110	110	110	
2100	110	110	110	110	110	110	110	110	110	110	110	110	110	
2000	110	110	110	110	110	110	110	110	110	110	110	110	110	
1900	110	110	110	110	110	110	110	110	110	110	110	110	110	
1800	110	110	110	110	110	110	110	110	110	110	110	110	106	
1700	110	110	110	110	110	110	110	110	110	110	110	106	100	
1600	110	110	110	110	110	110	110	110	110	110	107	100	94	
1500	110	110	110	110	110	110	110	110	110	110	100	94	88	
1400	110	110	110	110	110	110	110	110	108	100	83	88	82	
1300	110	110	110	110	110	110	110	108	100	93	87	81		
1200	110	110	110	110	110	110	108	100	92	86	80			
1100	110	110	110	110	110	100	92	85	79	73				
1000	110	110	110	110	100	91	83	77	72					
900	110	110	110	100	90	82	75	69						
800	110	110	100	89	80	73	67							
700	110	100	88	78	70	64								
600	390	500	600	700	800	900	1000	1100	1200	1300	1400	1500	1600	1700

**FUTURA 3D**  
**R**

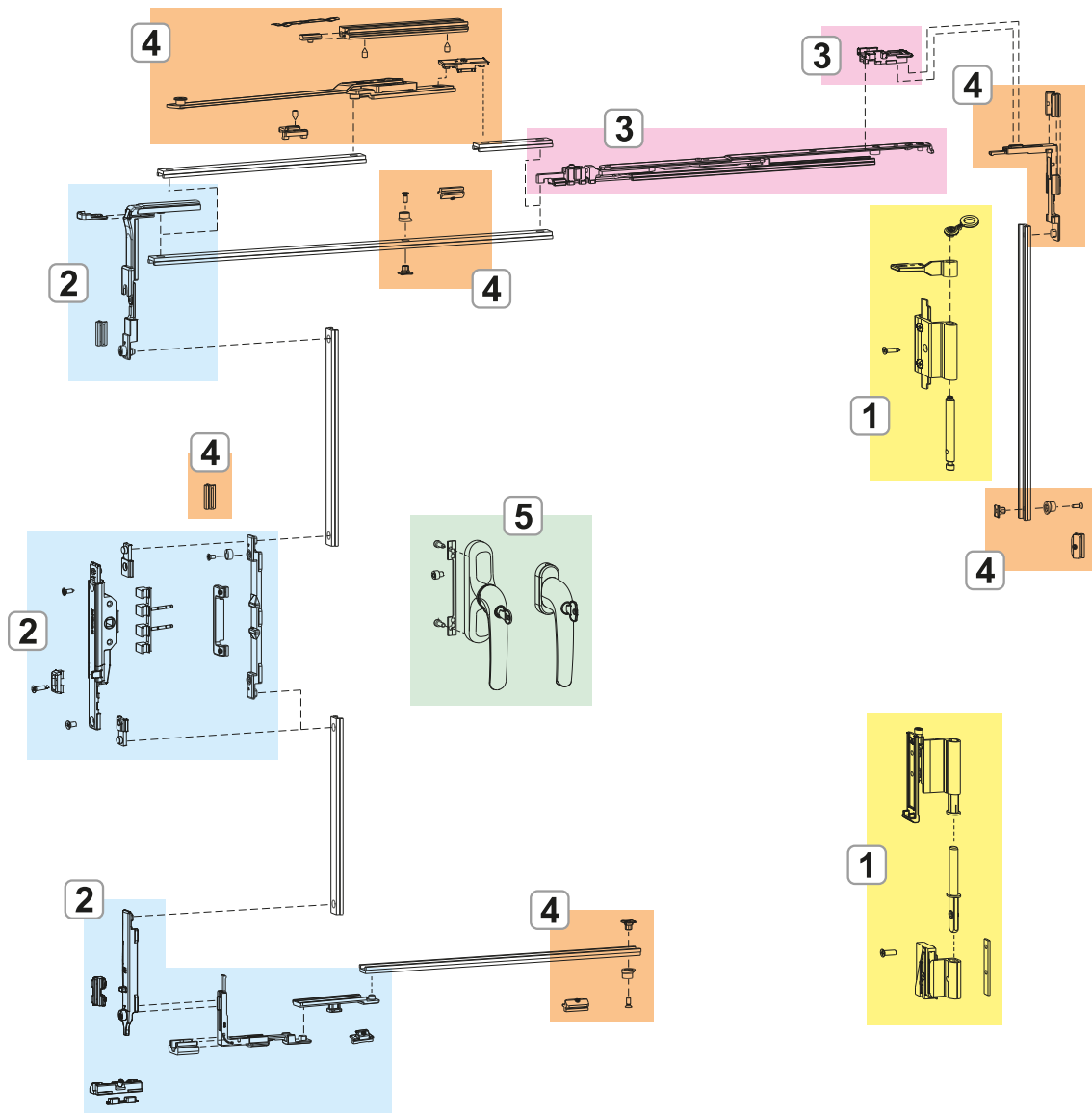
Futura 3D R traditional



- 1. FUTURA 3D R HINGES
- 2. FUTURA 3D R FASTENING MECHANISMS
- 3. FUTURA 3D R ARMS
- 4. FUTURA 3D R ADDITIONAL FASTENING MECHANISMS AND ACCESSORIES
- 5. CREMONES AND WINDOW HANDLES



Futura 3D R logica



- 1. FUTURA 3D R HINGES
- 2. FUTURA 3D R FASTENING MECHANISMS
- 3. FUTURA 3D R ARMS
- 4. FUTURA 3D R ADDITIONAL FASTENING MECHANISMS AND ACCESSORIES
- 5. CREMONES AND WINDOW HANDLES

## FUTURA 3D R HINGES

### Functions

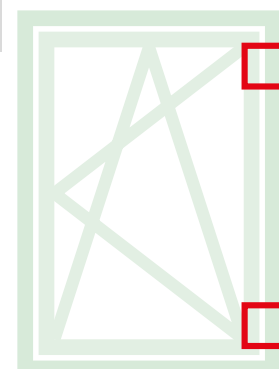
Hinge set (upper and lower), completely pre-assembled and ready to be installed on the profile.

### Materials

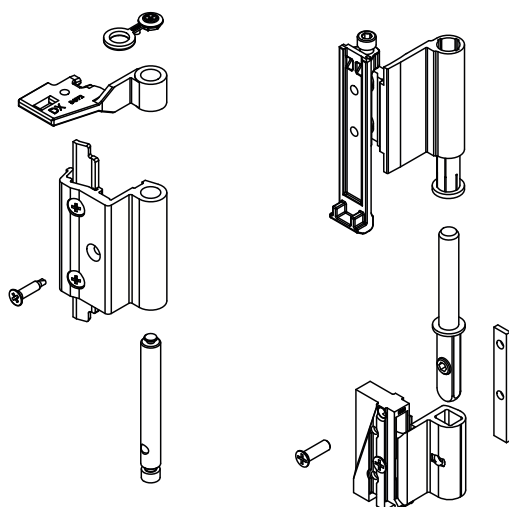
Body of hinges in extruded aluminium and brass.

Supports in zamak with GS Silver Plus finish (up to 500 hr corrosion resistance).

Pins, screws and grub screws in stainless steel.



04721



Item code	Description	PROFILE CROSS - SECTION	Base Raw	Anodised Elox	Painted	Trend/Gold Brass	Pieces per pack
04721	HINGE T/T FUTURA 3D R	C007	X		X	X	10

## FUTURA 3D R FASTENING MECHANISMS

### Functions

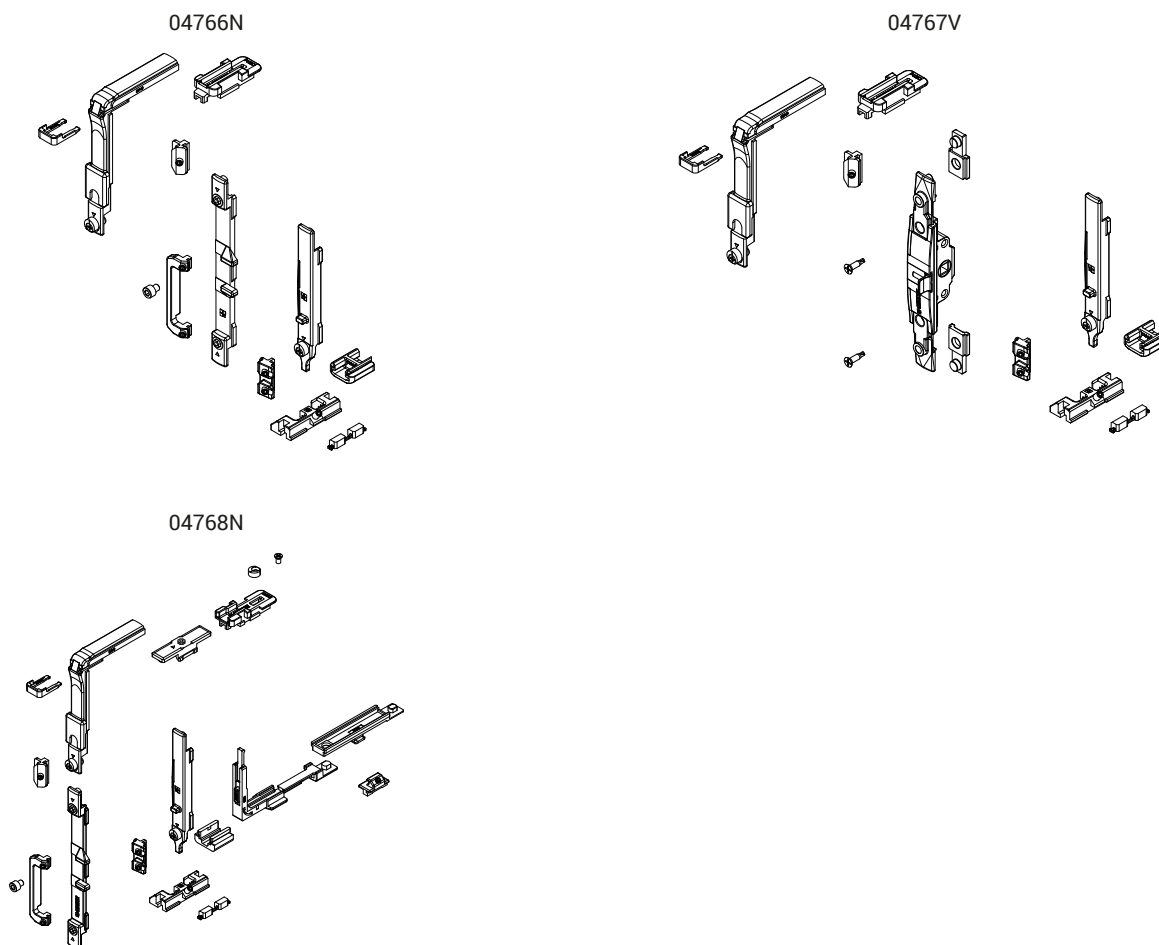
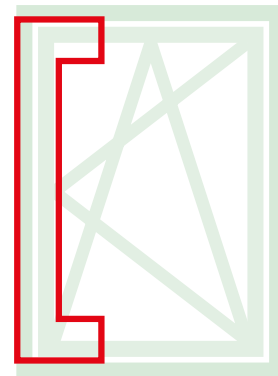
Tilt-and-turn window fastening mechanisms for cremone or window handle, available in Base and Logica versions.

### Materials

Drive, drive rod, mechanism bolt tip and strikers in zamak with GS Silver Plus finish (up to 500 h of corrosion resistance).

Screws and grub screws in stainless steel.

Polyamide raiser.



Item code	Description	PROFILE CROSS - SECTION	Window handle	Version	Base Raw	Anodised Elox	Painted	Trend/Gold Brass	Other finishes Brass	Weight
04766N	T/T FASTENING MECHANISM	C007	Cremona	-	X					0,380
04767V	T/T M 180 FASTENING MECHANISM	C007	Window handle	-	X					0,496
04768N	T/T LOGICA FASTENING MECHANISM	C007	Cremona	Logica	X					1

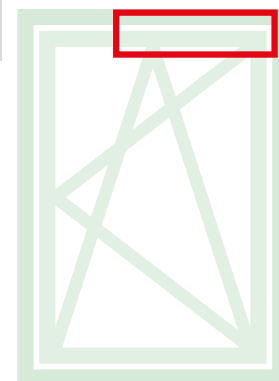
FUTURA 3D R ARMS

**Functions**

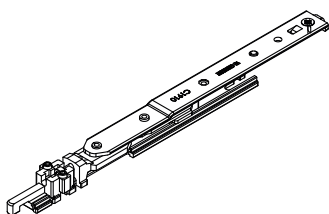
They enable tilt-and-turn opening combined with the mechanisms.

**Materials**

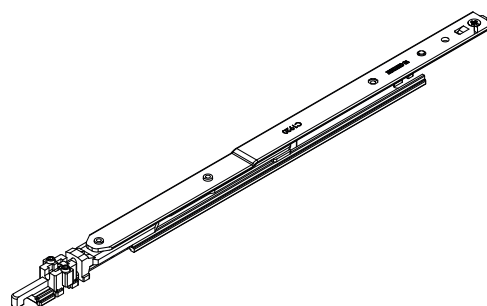
Body, fixing block and slider in zamak with GS Silver Plus finish (up to 500 h of corrosion resistance).  
Rod, connecting bracket, grub screws and screws in stainless steel. Stop disk in polyamide.



0422901



0423001



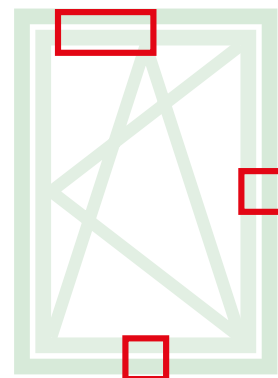
Item code	Description	PROFILE CROSS - SECTION	Range (mm)	Base Raw	Anodised Elox	Painted	Trend/Gold Brass	Pieces per pack
0422901	ARM TYPE 1 T/T FUTURA R	C007	L 425 ÷ 580	X				10
0423001	ARM TYPE 2 T/T FUTURA R	C007	L 581 ÷ 1700	X				10

## FUTURA 3D R ADDITIONAL FASTENING MECHANISMS AND ACCESSORIES

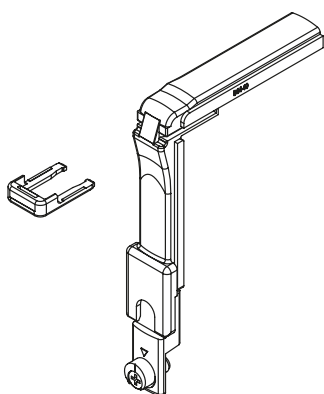
### Functions

The additional fasteners make it possible to add further fastening elements that either increase the dimensions of the casement or that can be used when locking points are needed on the cross beams or hinge-side upright.

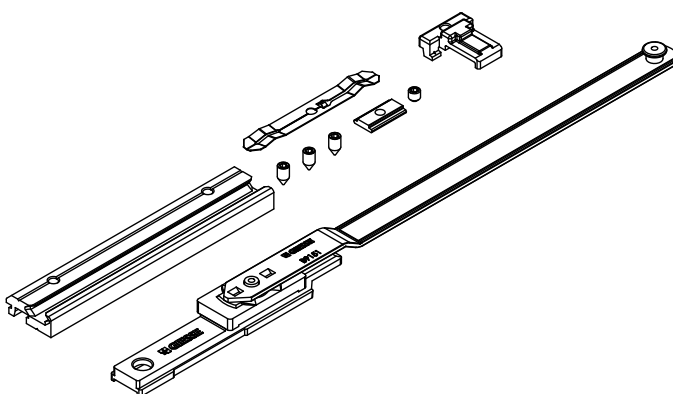
On the basis of the dimensions of the casement, additional fasteners (for H>1200 mm and W>1000 mm) and the additional arm (which is mandatory for W>1000 mm) are to be used in combination with this mechanism.



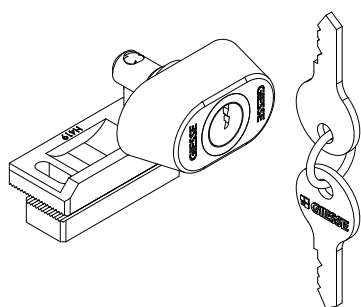
04017K



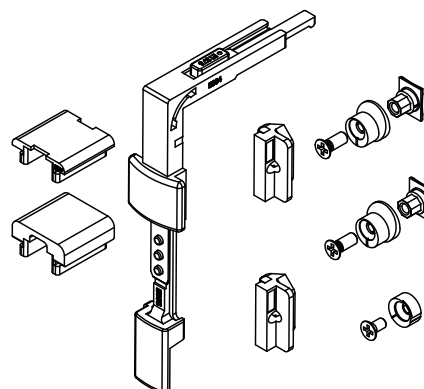
04308K



04311



04648K



Item code	Description	PROFILE CROSS - SECTION	Range (mm)	Base Raw	Anodised Elox	Painted	Trend/Gold Brass	Pieces per pack
04017K	FUTURA CORNER DRIVE	C007		X				10
04308K	ADDITIONAL ARM FOR T/T	C007	W > 1000	X				5
04311	SASH OPENING BLOCK LOCK	C001-C002-C003-C004-C005-C006-C007-C013-C014-C015-C016-C017	-	X				10
04648K	VERT/HOR.ADD.FAST. GS999	C007	H > 1200 L > 1000	X				10