

GS990

GS990

Functions

Complete system for the construction of GS990 tilt-and-turn windows.

Technical Features

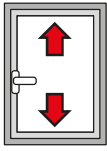
The GS990 tilt-and-turn window is composed of:

- T/T GS990 STANDARD FASTENING MECHANISMS
- ARMS, available in two versions depending on the width of the sash
- Cremona or window handle (available in various models)

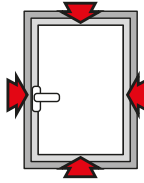
Adjustments

The adjustments are micrometric and independent.

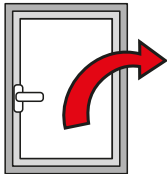
ADJUSTMENTS [mm]



Height:
+1.5 / -0.5

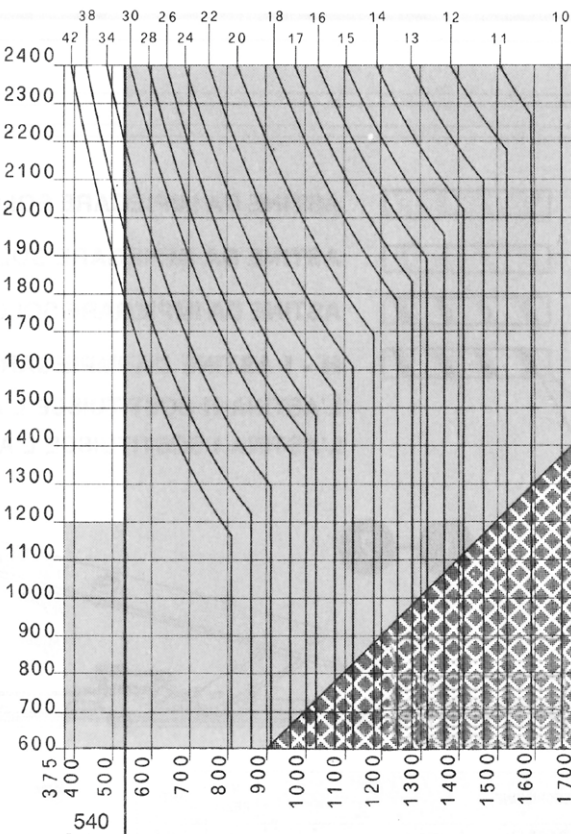


Striker compression:
±0,9

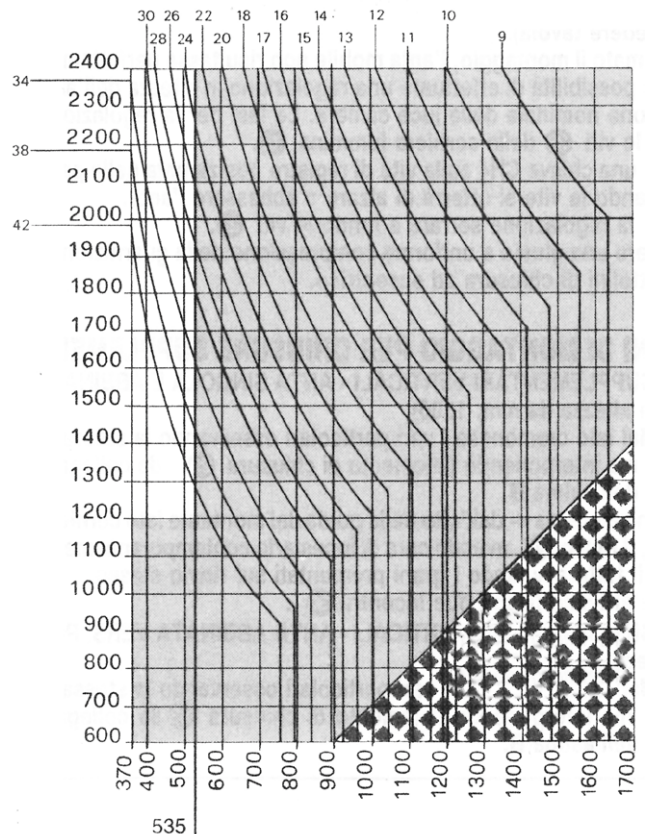


Sash fall:
+3.5 / -1.5

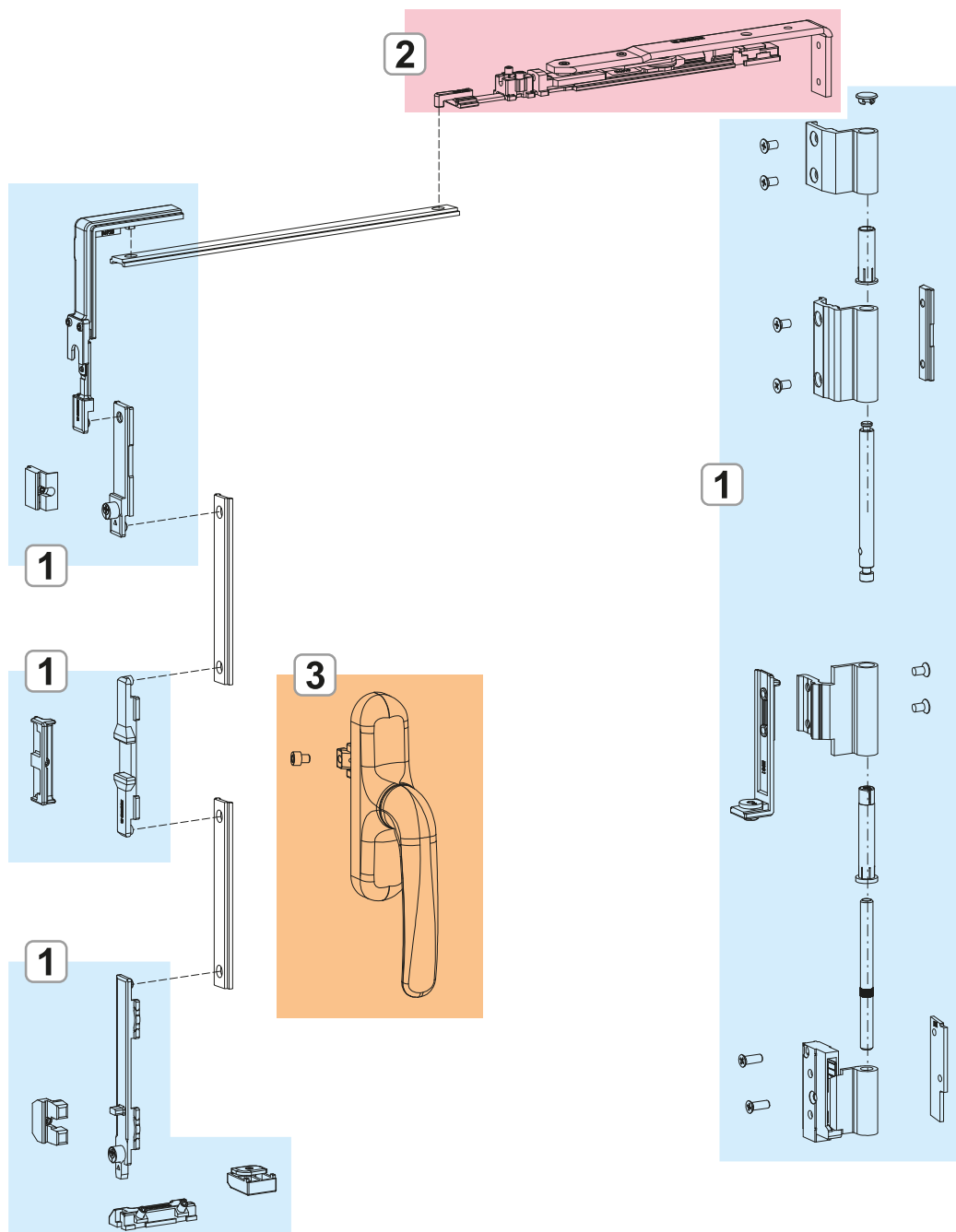
Graph of sizes and load capacities for art.: 04507, 04529



Graph of sizes and load capacities for art.: 04516, 04518



GS990



1. GS990 BASIC MECHANISM
2. GS990 ARMS
3. GS990 ADDITIONAL FASTENING MECHANISMS AND ACCESSORIES
4. CREMONES

GS990 BASIC MECHANISM

Functions

Complete system for the construction of GS990 tilt-and-turn windows

Technical Features

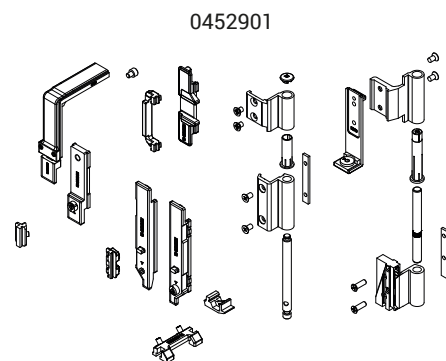
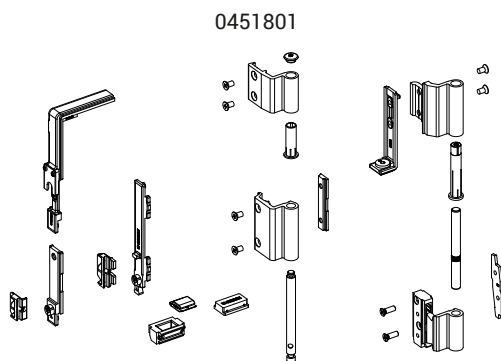
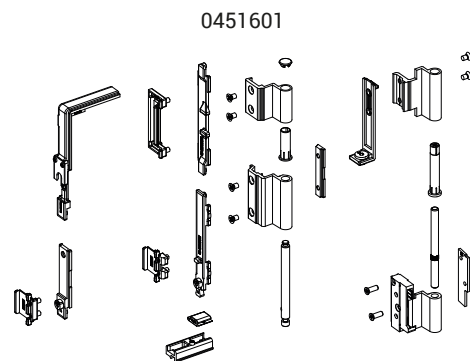
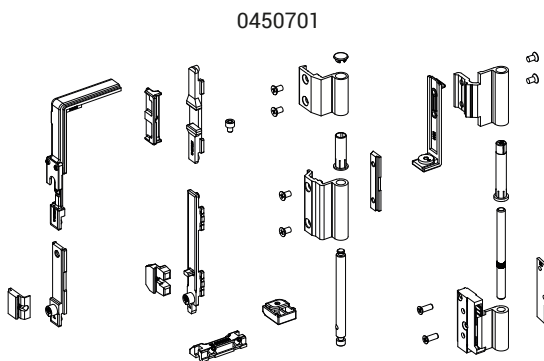
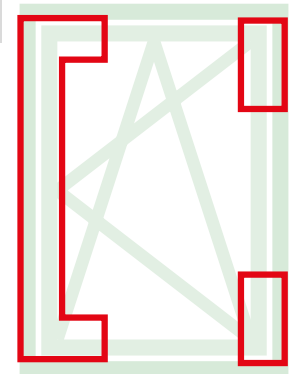
Mechanisms including hinges and hardware: available in various finishes. The hinges are supplied completely pre-assembled and ready to be installed on the profile, the hardware consists of ready-assembled accessories that make installation easy and instant

Materials: Hinges

Body of hinges in extruded aluminium and zamak supports.
Pins, screws and grub screws in stainless steel.

Materials: Mechanism

Drive, drive rod, mechanism bolt tip and strikers in zamak.
Screws and grub screws in stainless steel.
Polyamide raiser.



Item code	Description	PROFILE CROSS - SECTION	Window handle	Base Raw	Anodised Elox	Painted	Trend/Gold Brass	Pieces per pack
0450701	AR GS990 BASIC MECHANISM	C009	Cremona	X	X	X	X	5
0451601	AR GS990 BASIC MECHANISM	C010	Cremona		X	X	X	5
0451801	AR GS990 BASIC MECHANISM	C011	Window handle		X		X	5
0452901	AR GS990 BASIC MECHANISM	C008	Cremona	X	X	X	X	5

GS990 ARMS

Functions

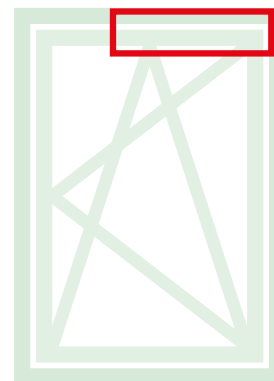
Complete system for the construction of GS990 tilt-and-turn windows

Technical Features

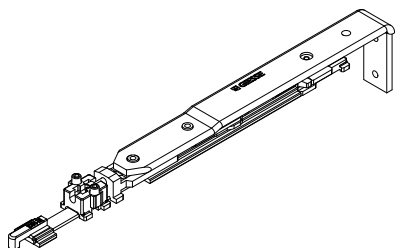
Mechanisms including hinges and hardware: available in various finishes. The hinges are supplied completely pre-assembled and ready to be installed on the profile, the hardware consists of ready-assembled accessories that make installation easy and instant

Materials

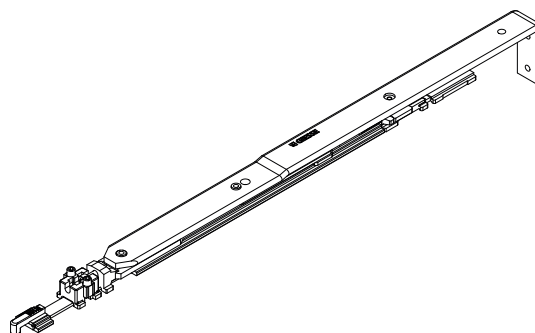
Body, fixing block and slider in zamak, mechanism rod in aluminium.
Arm rod, connecting bracket, grub screws and screws in stainless steel.
Stop disk in polyamide.



ARM T1 GS990



ARM T2 GS990



Item code	Description	PROFILE CROSS - SECTION	Range (mm)	Base Raw	Anodised Elox	Painted	Trend/Gold Brass	Pieces per pack
0421101	ARM T1 GS990	C010-C011	W 370 ÷ 535	X				5
0421701	ARM T1 GS990	C009	W 375 ÷ 540	X				5
0422101	ARM T1 GS990	C010-C011	W 536 ÷ 1700	X				5
0422301	ARM T2 GS990	C010-C011	W 536 ÷ 1700	X				5
0422701	ARM T2 GS990	C009	W 541 ÷ 1700	X				5

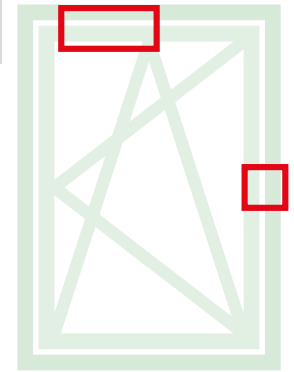
GS990 ADDITIONAL FASTENING MECHANISMS AND ACCESSORIES

Functions

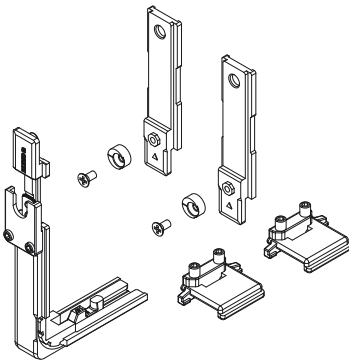
Arm that allows the bottom-hung opening in combination with the GS990 tilt-and-turn mechanisms.

Technical Features

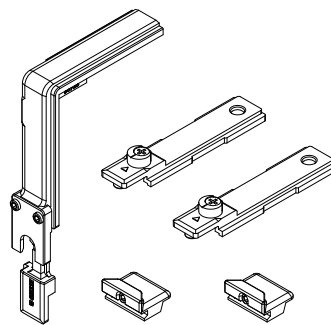
They enable tilt-and-turn opening in conjunction with the mechanisms and are available in two versions depending on the width of the sash.



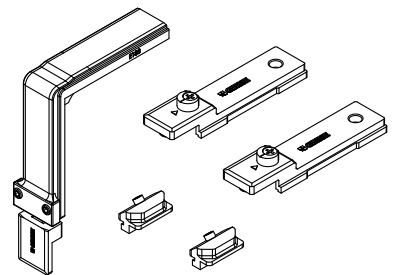
0424001



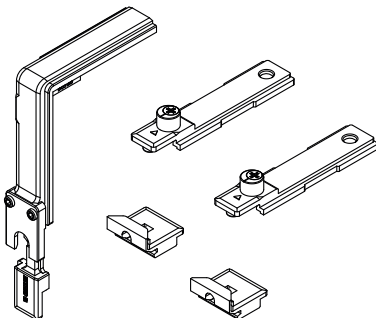
0424101



0424601



0424701



Item code	Description	PROFILE CROSS - SECTION	Range (mm)	Base Raw	Anodised Elox	Painted	Trend/Gold Brass	Pieces per pack
0424001	VERTICAL ADDITIONAL FASTENING MECHANISM GS990	C010	H > 1200	X				10
0424101	VERTICAL ADDITIONAL FASTENING MECHANISM GS990	C011	H > 1200	X				10
0424601	VERTICAL ADDITIONAL FASTENING MECHANISM GS990	C008	H > 1200	X				10
0424701	VERTICAL ADDITIONAL FASTENING MECHANISM GS990	C009	H > 1200	X				10
0430601	ADDITIONAL ARM	C008	W > 1000	X				5
0430701	ADDITIONAL ARM	C009	W > 1000	X				5